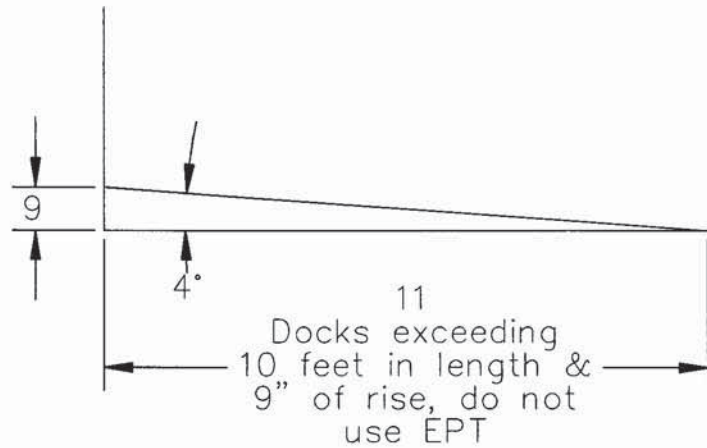
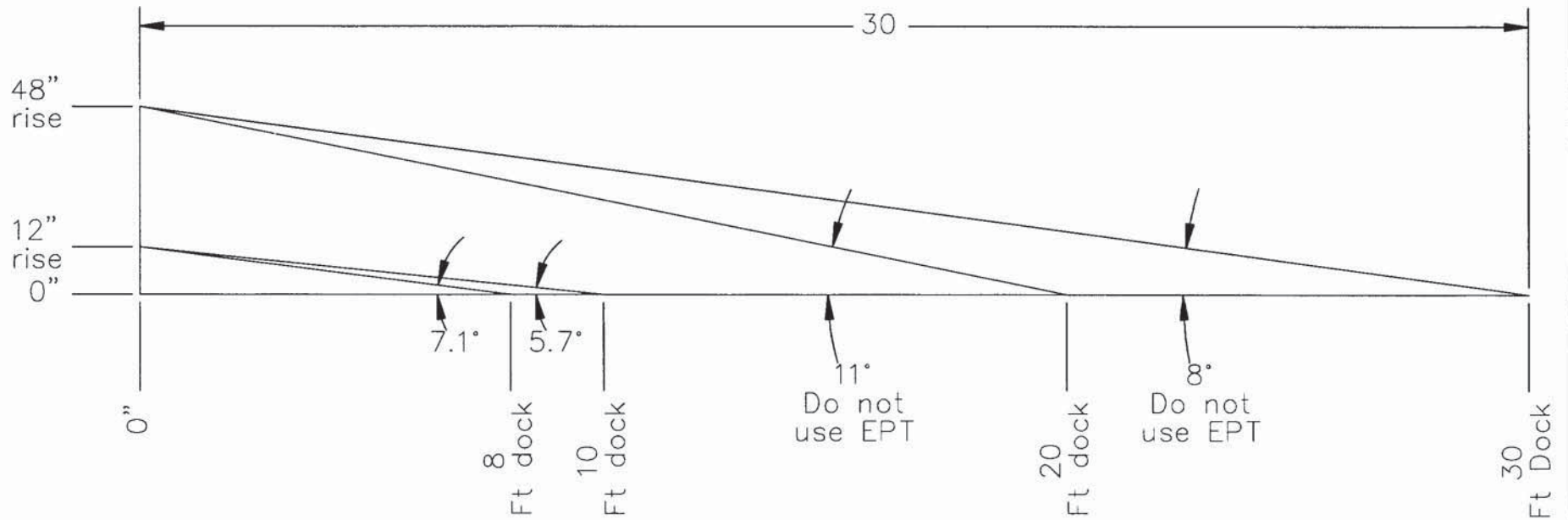


ANGLE FORMULA FOR HEAVY DUTY HAND TRUCK

DWG NO: Default

LOCATION: J:\BILL\DEQUIPMENT\pallet truck\electric pallet jack\EPT in incline review, 12-7-06 | WEIGHT: 19494.69



UNLESS OTHERWISE SPECIFIED:			NAME	DATE
TOLERANCE	MACHINE	WELDMENT	DRAWN	BE Yeakle
±.0005	±.0010	±.0015	CHECKED	
ANGLES	±.0010	±.0015	ENG APPR.	
DECIMALS	XX ±.0010	XX ±.0015	MFG APPR.	
FRACTIONS	±.0010	±.0015	Q.A.	
MATERIAL			COMMENTS:	
FINISH			-	
DO NOT SCALE DRAWING			TITLE:	
			SIZE: A	REV
			DWG Model #	
			DWG File #	
			SCALE: 1:96	SHEET 1 OF 1

PROPRIETARY AND CONFIDENTIAL
The information contained in this drawing is the sole property of Beacon Industries, Inc.. Any reproduction in part or as a whole without the written permission of Beacon Industries, Inc. is prohibited.

Beacon Industries, Inc.
12300 Old Tesson Rd.
St. Louis, MO 63128-2247 USA
314-487-7600 | 800-454-7159