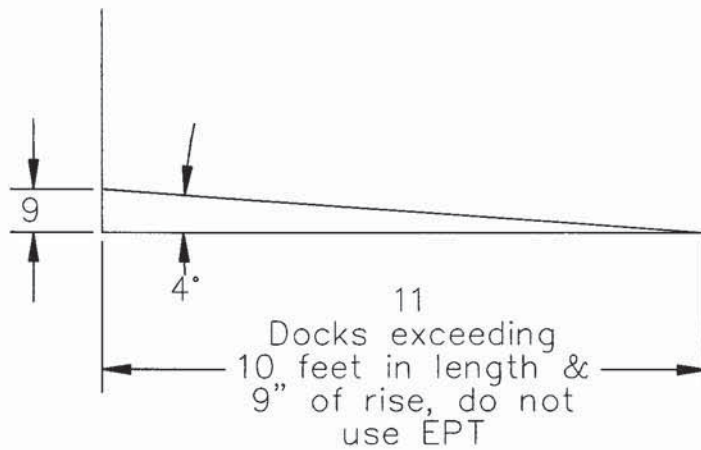
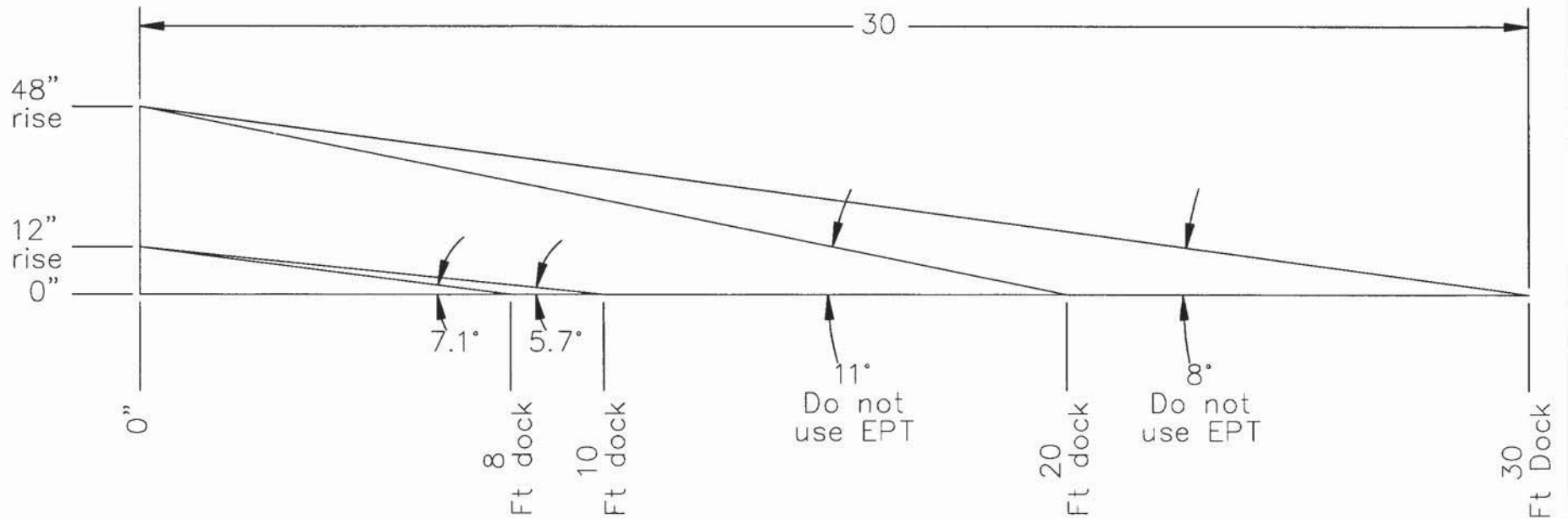


ANGLE FORMULA FOR NARROW PALLET JACK

DWG NO: Default

LOCATION: J:\BILL\DEQUIPMENT\pallet truck\electric pallet jack\EPT in incline review, 12-7-06 | WEIGHT: 19494.69



UNLESS OTHERWISE SPECIFIED:			NAME	DATE
TOLERANCE	MACHINE	WELDMENT	DRAWN	BE Yeakle
±.0005	±.0010	±.0015	CHECKED	
ANGLES	±.0010	±.0015	ENG APPR.	
DECIMALS	XX ±.0010	XX ±.0015	MFG APPR.	
FRACTIONS	±.0010	±.0015		
MATERIAL			Q.A.	
FINISH			COMMENTS:	
DO NOT SCALE DRAWING				

Beacon Industries, Inc. 12300 Old Tesson Rd. St. Louis, MO 63128-2247 USA 314-487-7600 800-454-7159		
TITLE:	SIZE: A	REV
	DWG Model # incline review, 12-7-06	
	DWG File # incline review, 12-7-06	
SCALE: 1:96	Weight: 19494.69	SHEET 1 OF 1

PROPRIETARY AND CONFIDENTIAL
 The information contained in this drawing is the sole property of Beacon Industries, Inc.. Any reproduction in part or as a whole without the written permission of Beacon Industries, Inc. is prohibited.