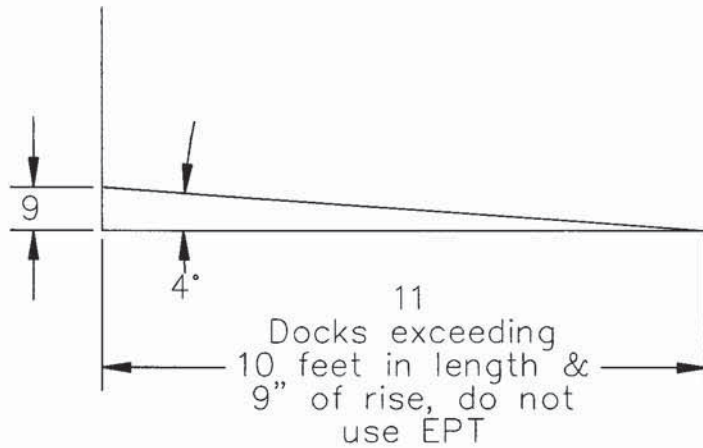
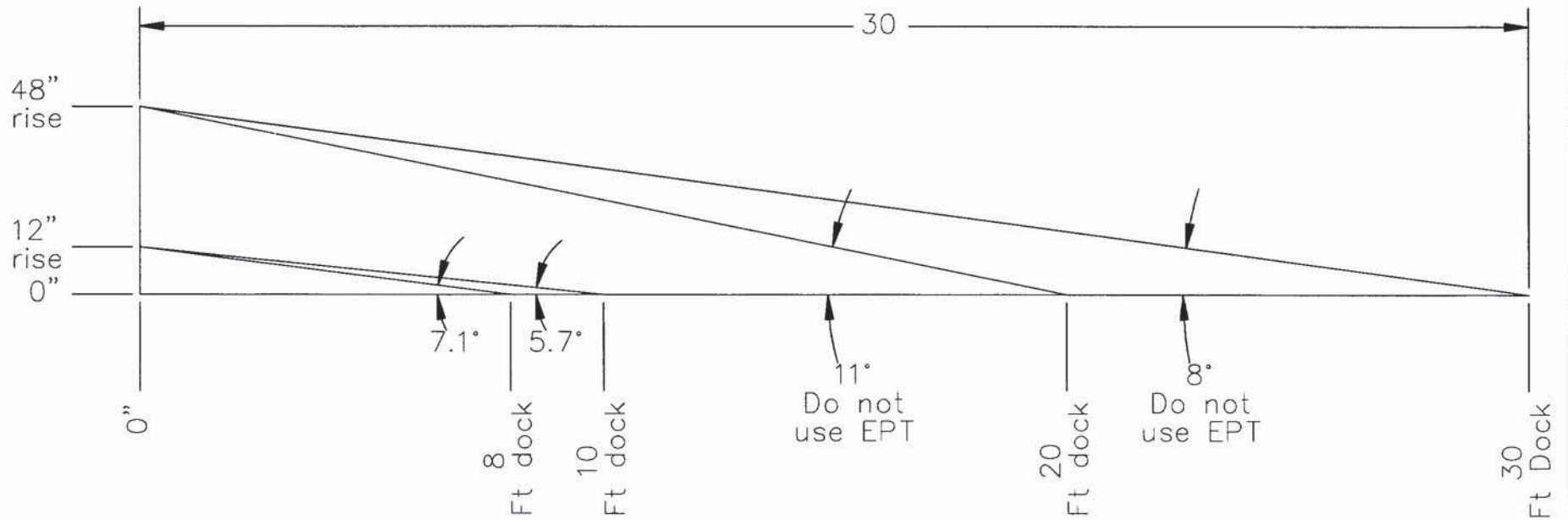


ANGLE FORMULA FOR ELECTRIC STACKER

DWG NO: Default

LOCATION: J:\BILL\DEQUIPMENT\pallet truck\electric pallet jack\EPT in Model Review, 12-7-06 | WEIGHT: 19494.69



UNLESS OTHERWISE SPECIFIED:			NAME	DATE
TOLERANCE	MACHINE	WELDMENT	DRAWN	BE Yeakle
CONCENTRICITY	±0.005	±0.010	CHECKED	
ANGLES	±0.005	±0.010	ENG APPR.	
DECIMALS	XX ± 0.005	±0.010	MFG APPR.	
FRACTIONS	± 1/32	± 1/16	Q.A.	

Beacon Industries, Inc.
 12300 Old Tesson Rd.
 St. Louis, MO 63128-2247 USA
 314-487-7600 | 800-454-7159

PROPRIETARY AND CONFIDENTIAL
 The information contained in this drawing is the sole property of Beacon Industries, Inc.. Any reproduction in part or as a whole without the written permission of Beacon Industries, Inc. is prohibited.

MATERIAL	COMMENTS:	TITLE:
FINISH		SIZE: DWG Model # incline review, 12-7-06
DO NOT SCALE DRAWING		REV DWG File #: incline review, 12-7-06

SCALE: 1:96 | Weight: 19494.69 | SHEET 1 OF 1