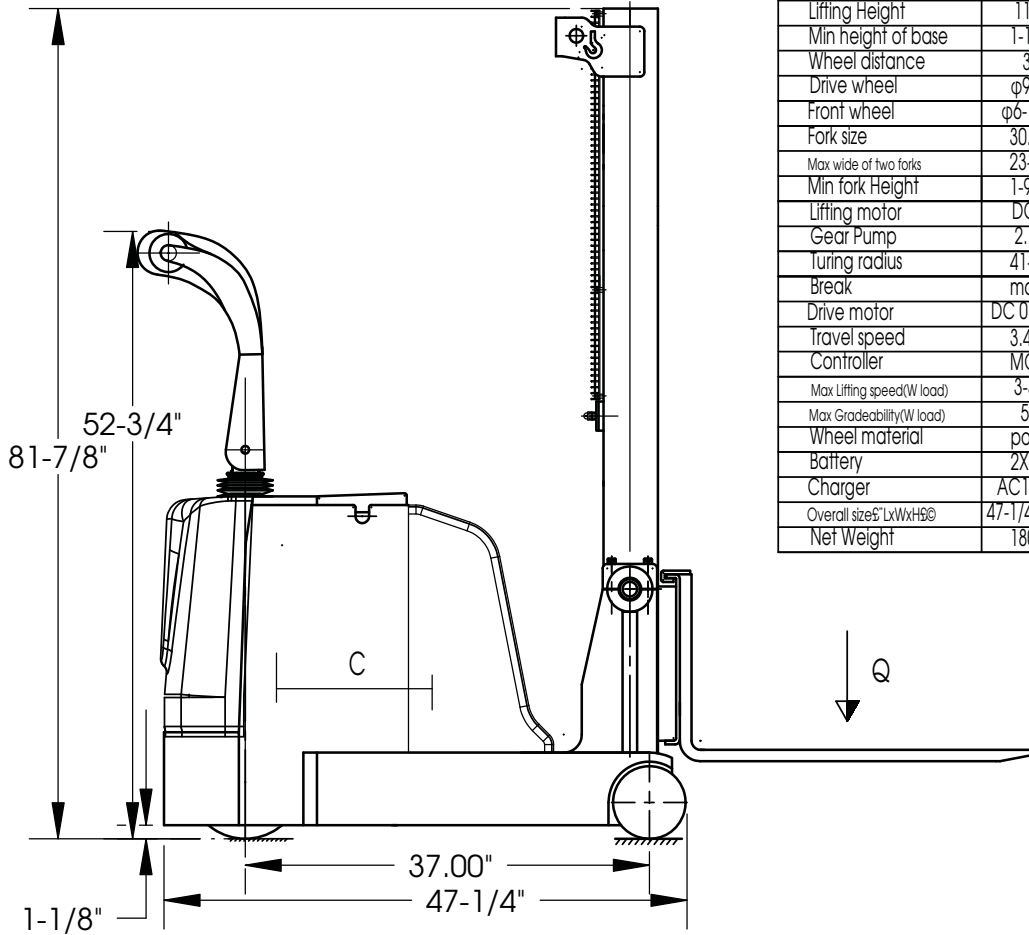
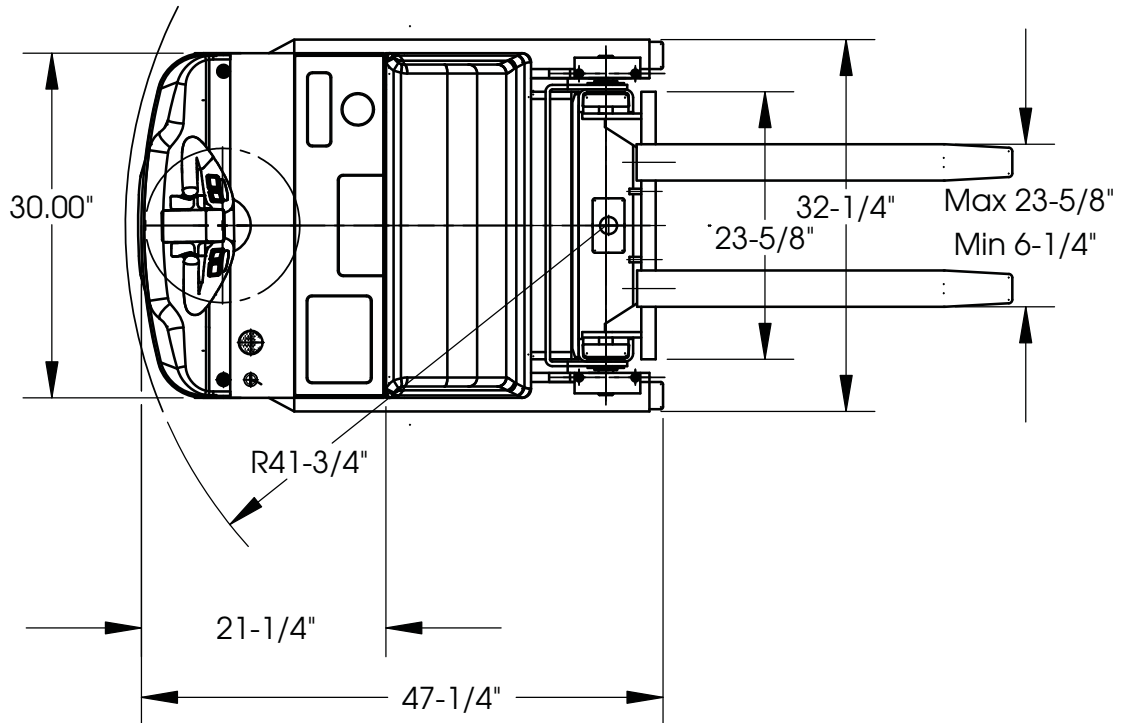


Motorized Hand Truck - BS-CB-118



COMPACT POWERED COUNTER BALANCE DRIVE LIFT	
Loading cap.	1,000 LBS.
Load center	15-3/4"
Lifting Height	118"
Min height of base	1-1/8"
Wheel distance	37"
Drive wheel	φ9-7/8" X 3-1/8"
Front wheel	φ6-1/4" X 2-1/8"
Fork size	30.00" X 3-1/8" X 1.00"
Max wide of two forks	23-5/8"
Min fork Height	1-9/16"
Lifting motor	DC 2KW/12V
Gear Pump	2.1ml/r
Turning radius	41-3/4"
Break	magnet
Drive motor	DC 0.7KW/12V
Travel speed	3.4/3.7 mph
Controller	MOS-FET
Max Lifting speed(W load)	3-3/8"/s
Max Gradeability(W load)	5%
Wheel material	polyurethane
Battery	2X12V/120Ah
Charger	AC110/60Hz/24V/15Ah
Overall size(LxWxH@)	47-1/4"x32-1/4"x81-7/8"mm
Net Weight	1800 lbs.



Beacon Industries, Inc.

12300 Old Tesson Rd.
 St. Louis, MO 63128
 Ph. 314-487-7600 Fax 314-487-0100
 beacontechnology.com