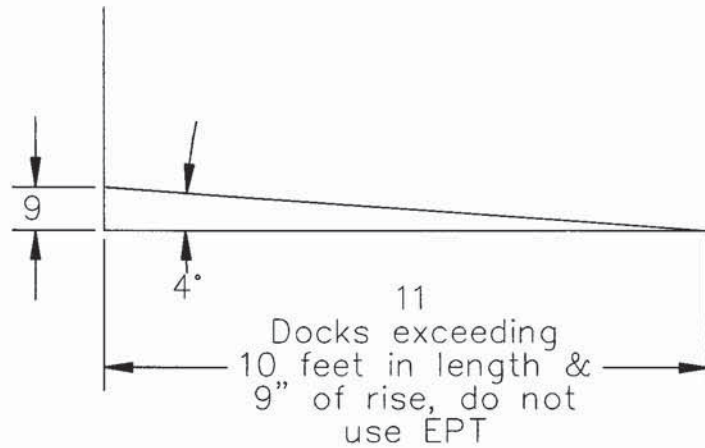
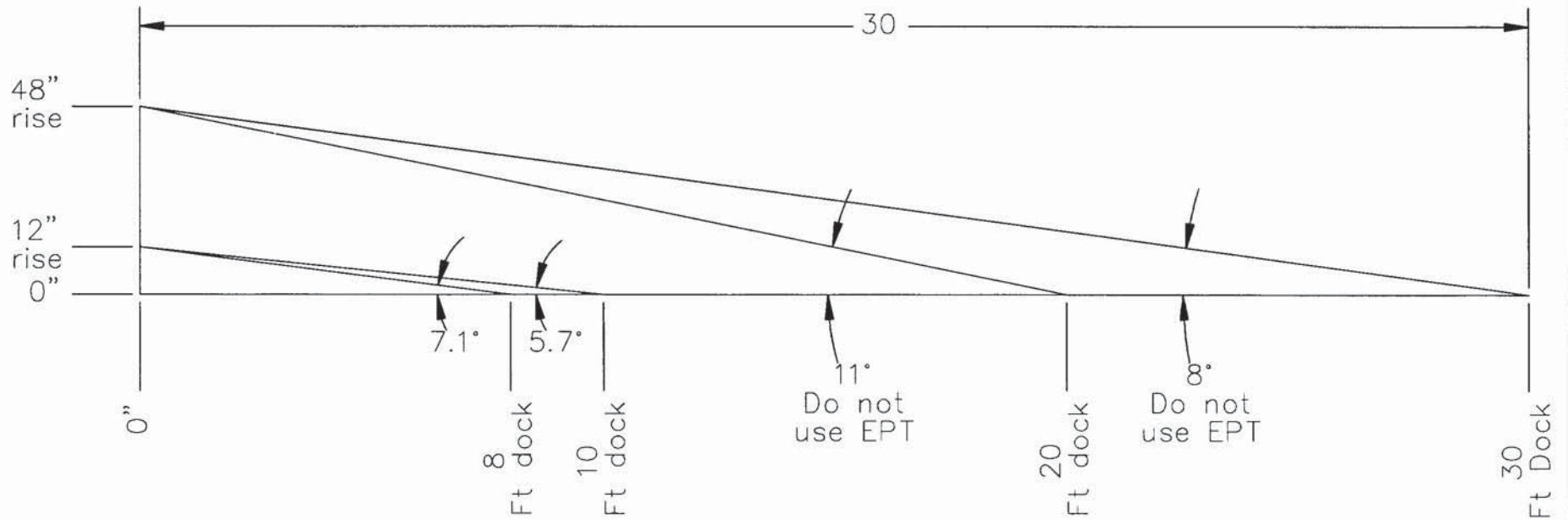


ANGLE FORMULA FOR MANUAL FORK TRUCK

DWG NO: Default

LOCATION: J:\BILL\DEQUIPMENT\pallet truck\electric pallet jack\EPT in Mode Review, 12-7-06 | WEIGHT: 19494.69



UNLESS OTHERWISE SPECIFIED:			NAME	DATE
TOLERANCE	MACHINE	WELDMENT	DRAWN	BE Yeakle
±0.005	±0.005	±0.005	CHECKED	
ANGLES	±0.005	±0.005	ENG APPR.	
DECIMALS	XX ± 0.005	± 0.005	MFG APPR.	
FRACTIONS	± 1/32	± 1/16	Q.A.	
MATERIAL			COMMENTS:	
FINISH			-	
DO NOT SCALE DRAWING			TITLE:	
			SIZE: A	REV
			DWG. Model #	
			inclined review, 12-7-06	
			DWG File #:	
			inclined review, 12-7-06	
			SCALE: 1:96	Weight: 19494.69 SHEET 1 OF 1

PROPRIETARY AND CONFIDENTIAL
The information contained in this drawing is the sole property of Beacon Industries, Inc.. Any reproduction in part or as a whole without the written permission of Beacon Industries, Inc. is prohibited.