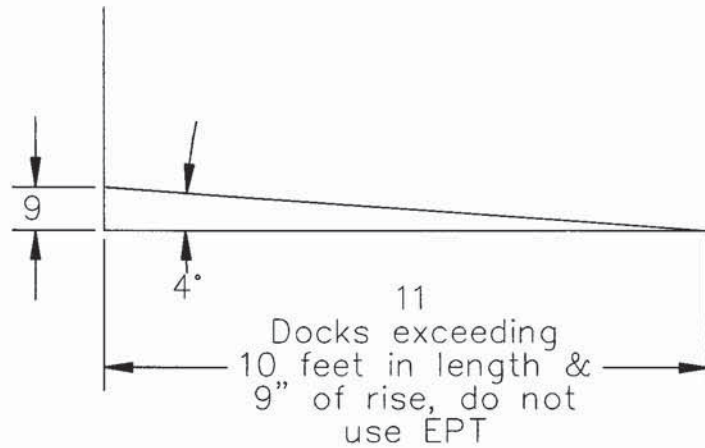
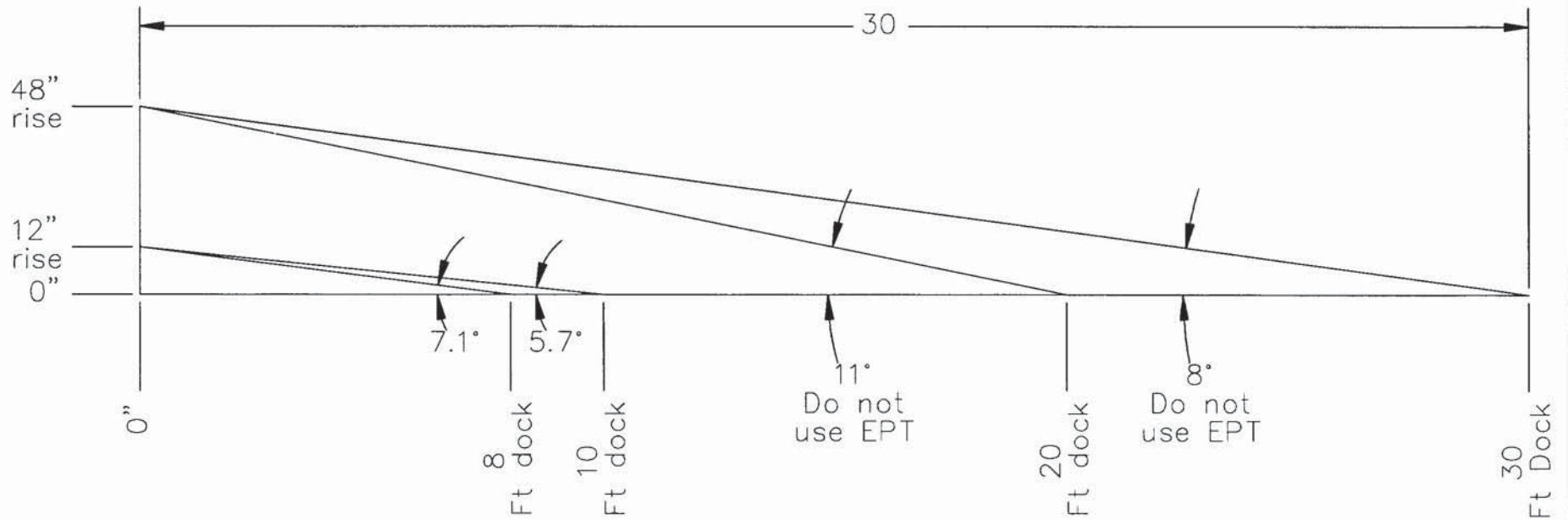


# ANGLE FORMULA FOR PALLET JACK SCALE

DWG NO: Default

LOCATION: J:\BILL\DEQUIPMENT\pallet truck\electric pallet jack\EPT in Model Review, 12-7-06 | WEIGHT: 19494.69



UNLESS OTHERWISE SPECIFIED:			NAME	DATE
TOLERANCE	MACHINE	WELDMENT	DRAWN	BE Yeakle
±.005	±.005	±.010	CHECKED	
ANGLES	±.05°	±.10°	ENG APPR.	
DECIMALS	XX ±.005	XX ±.010	MFG APPR.	
FRACTIONS	±.1/32	±.1/16		

**Beacon Industries, Inc.**  
 12300 Old Tesson Rd.  
 St. Louis, MO 63128-2247 USA  
 314-487-7600 | 800-454-7159

**PROPRIETARY AND CONFIDENTIAL**  
 The information contained in this drawing is the sole property of Beacon Industries, Inc.. Any reproduction in part or as a whole without the written permission of Beacon Industries, Inc. is prohibited.

MATERIAL	Q.A.	TITLE:
FINISH	COMMENTS:	SIZE: DWG. Model # incline review, 12-7-06
DO NOT SCALE DRAWING		REV DWG File #: incline review, 12-7-06

SCALE: 1:96 | Weight: 19494.69 | SHEET 1 OF 1