

BM3 Series Truck Service

MECHANICAL DOCK LEVELER 25,000, 30,000, 35,000 & 45,000 lb. CAPACITIES



ARCHITECTURAL SPECIFICATIONS

GENERAL

The BM3 Series pit mounted mechanical dock levelers are available in one conventional heavy duty style. **BM3 Series - Two movement with 16" hinged flip lip.**

DESCRIPTION

Adjustable mechanical dock leveler with two movements: (1) Up, (2) down. Dock leveler to be _____ ft. long x _____ ft. wide with a static capacity of _____ lbs. Platform to be constructed of floor plate reinforced by C channel deck support beams. 16 in. hinged flip lip to be activated mechanically when deck comes up. 24" Total vertical travel, 12" above floor level and 12" below floor level. Deck will compensate a maximum of 4" from side to side to service unlevel vehicles. Dock leveler is constructed of 55,000 lb. minimum yield steel tread plate. Dock leveler to be equipped with toe guards and a set of dock bumpers. Dock leveler to meet or exceed the performance requirements of CS202-56., OSHA and ANSI MH14.1-1984.

SCOPE

This specification describes a manual operated, adjustable mechanical dock leveler, to be installed in a pit and/or affixed to loading platforms and to compensate for uneven heights between the truckbed and the dock.

DIMENSIONS

NOTE:
The sizes below are nominal lengths.

OPERATION

The Beacon BM3 Mechanical dock leveler is simple to operate and is activated by pull chain release, fully mechanical. Counter balance system is powered by exclusive direct extension spring method. The lip will extend and lock in position automatically when the dock ramp is activated. To unlock the leveler, simply walk the unit down, the unit will rest on the truck bed and the lock will automatically release. Our yieldable lip allows the lip to close quietly, automatically and yield upon impact. To retract legs for below dock service, pull up on the chain assembly in front center of deck and walk the unit down to the level that is needed.

CONSTRUCTION

The capacities of the BM3 are available in 25,000, 30,000, 35,000 and 45,000 lb. Structural C channel deck support beams are 100% welded to the back of the header plate; 6 each under 6' wide models and 8 each under 7' wide models. Deck shall be 1/4" on all models. Lip shall be 1/2" or 5/8" (see chart capacities). Lip Hinge and Deck assembly shall be seamless tubing with a cold roll 1045 steel rod. Hydra Lip assist with 2 shock absorbers are standard. Deck and Lip shall be 55,000 minimum yield steel tread plate. Grease fittings on lip hinges are standard. All levelers include fork entry slots and lifting holes in the side plates for ease of handling during shipping and installation.

| MODEL | CAP. (LBS.) | WIDTH | LENGTH | THICKNESS | | DECK | WEIGHT |
|------------|-------------|-------|--------|-----------|------|------|--------|
| | | | | DEPTH | LIP | | |
| BM36625 | 25,000 | 72" | 6' | 19" | 1/2" | 1/4" | 1,370 |
| BM36625.5 | 25,000 | 78" | 6' | 19" | 1/2" | 1/4" | 1,750 |
| BM37625 | 25,000 | 83" | 6' | 19" | 1/2" | 1/4" | 1,510 |
| BM36825 | 25,000 | 72" | 8' | 19" | 1/2" | 1/4" | 1,655 |
| BM36825.5 | 25,000 | 78" | 8' | 19" | 1/2" | 1/4" | 2,020 |
| BM37825 | 25,000 | 83" | 8' | 19" | 1/2" | 1/4" | 1,810 |
| BM361025 | 25,000 | 72" | 10' | 24" | 1/2" | 1/4" | 1,944 |
| BM361025.5 | 25,000 | 78" | 10' | 24" | 1/2" | 1/4" | 2,498 |
| BM371025 | 25,000 | 83" | 10' | 24" | 1/2" | 1/4" | 2,675 |
| BM36630 | 30,000 | 72" | 6' | 19" | 1/2" | 1/4" | 1,340 |
| BM36630.5 | 30,000 | 78" | 6' | 19" | 1/2" | 1/4" | 1,790 |
| BM37630 | 30,000 | 83" | 6' | 19" | 1/2" | 1/4" | 1,840 |
| BM36830 | 30,000 | 72" | 8' | 19" | 1/2" | 1/4" | 1,580 |
| BM36830.5 | 30,000 | 78" | 8' | 19" | 1/2" | 1/4" | 2,225 |
| BM37830 | 30,000 | 83" | 8' | 19" | 1/2" | 1/4" | 2,264 |
| BM361030 | 30,000 | 72" | 10' | 24" | 1/2" | 1/4" | 2,228 |
| BM361030.5 | 30,000 | 78" | 10' | 24" | 1/2" | 1/4" | 2,650 |
| BM371030 | 30,000 | 83" | 10' | 24" | 1/2" | 1/4" | 2,703 |
| BM36635 | 35,000 | 72" | 6' | 19" | 5/8" | 1/4" | 1,380 |
| BM36635.5 | 35,000 | 78" | 6' | 19" | 5/8" | 1/4" | 1,795 |
| BM37635 | 35,000 | 83" | 6' | 19" | 5/8" | 1/4" | 1,854 |
| BM36835 | 35,000 | 72" | 8' | 19" | 5/8" | 1/4" | 1,695 |
| BM36835.5 | 35,000 | 78" | 8' | 19" | 5/8" | 1/4" | 2,225 |
| BM37835 | 35,000 | 83" | 8' | 19" | 5/8" | 1/4" | 2,289 |
| BM361035 | 35,000 | 72" | 10' | 24" | 5/8" | 1/4" | 2,455 |
| BM361035.5 | 35,000 | 78" | 10' | 24" | 5/8" | 1/4" | 2,690 |
| BM371035 | 35,000 | 83" | 10' | 24" | 5/8" | 1/4" | 2,739 |
| BM36645 | 45,000 | 72" | 6' | 19" | 5/8" | 1/4" | 1,734 |
| BM36645.5 | 45,000 | 78" | 6' | 19" | 5/8" | 1/4" | 1,860 |
| BM37645 | 45,000 | 83" | 6' | 19" | 5/8" | 1/4" | 1,913 |
| BM36845 | 45,000 | 72" | 8' | 19" | 5/8" | 1/4" | 2,112 |
| BM36845.5 | 45,000 | 78" | 8' | 19" | 5/8" | 1/4" | 2,290 |
| BM37845 | 45,000 | 83" | 8' | 19" | 5/8" | 1/4" | 2,350 |
| BM361045 | 45,000 | 72" | 10' | 24" | 5/8" | 1/4" | 2,505 |
| BM361045.5 | 45,000 | 78" | 10' | 24" | 5/8" | 1/4" | 2,750 |
| BM371045 | 45,000 | 83" | 10' | 24" | 5/8" | 1/4" | 2,802 |

Additional capacities and 6'6" wide models available, consult factory.
Standard 10' Models also available.

SAFETY EQUIPMENT

RAMP SIDES: The sides of the ramp shall be provided with steel safety toe guards. The Beacon lip keepers are installed for your protection while in storage, at installation and for night security along with providing safe and secure cross traffic support. Dual safety legs provide metered below dock control points. A maintenance strut is provided with each leveler. Two 4-1/2" x 10" x 12" laminated dock bumpers shall be supplied with each dock leveler.

OPTIONAL FEATURES

- Full Range Toe Guards.
- Weather Seals.
- 16" Above dock service range (10' models only).
- Below Dock Control (lip push-out device).
- Lip 18" (14" projection) Lip assist.
- Lip 20" (16" projection) Lip assist.
- Base Frame Deep Pit Anchor Kit (4" channel for 23" deep pit) welded at factory.
- Foam insulation.
- Abrasive Surface.
- Self-forming pan with bottom (leveler welded in).
- EZ Pan (Self-forming) assembled at job site.
- Pit Curb Angle Kit.
- Yellow & Black Diagonal Stripping on Sides.

PAINT

Beacon Grey

OWNERS MANUAL

Owners Manual comes with each unit, including General Information, Pit preparation, Leveler preparation, Anchoring Instructions, Operating Instructions, Troubleshooting, Parts List.

WARRANTY

The BM3 Series comes with a Limited Warranty - 3 years on structural members and main springs, 1 year on mechanical and miscellaneous parts.

BEACON 

Model: P4H1012

Model: P4H1012

Size:

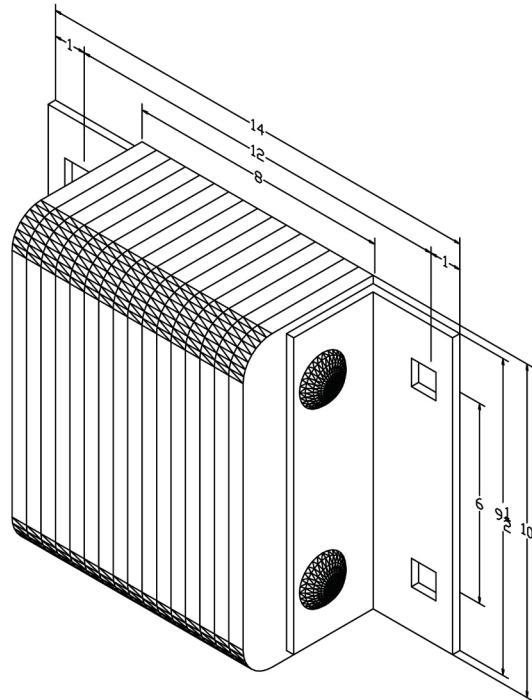
Projection **4-1/2"**
Height **10"**

Length:

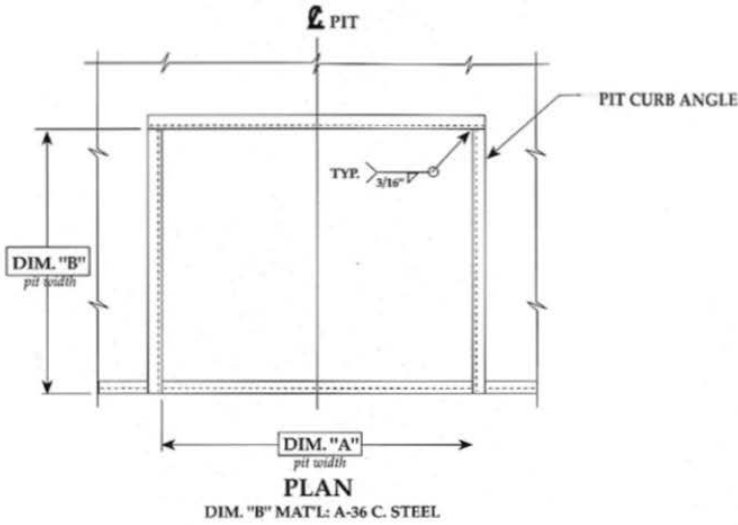
- Overall **14"**
- Anchor Holes **12"**
- Rubber **8"**
Angle Size (2) **1/4"x3"x3"x9-1/2"**

Date: 02/13/07

All measurements are +/- 1/8"

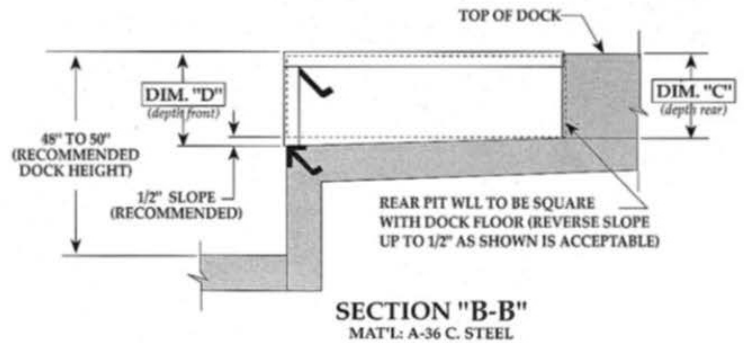
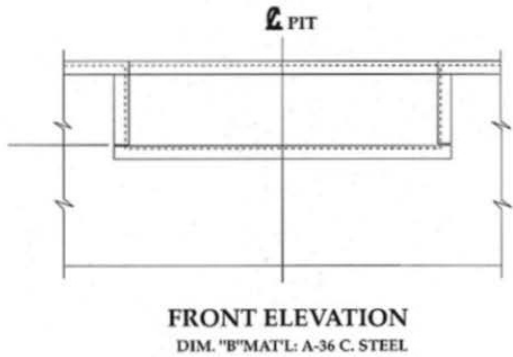


BEACON BM3 Series Mechanical Dock Leveler Pit Detail



| VARIABLE DIMENSIONS | | | | |
|---------------------|-----|------|---------|-----|
| MODEL SIZE | "A" | "B" | "C" | "D" |
| 6'W x 6'L | 74" | 63" | 19 1/2" | 20" |
| 6'W x 8'L | 74" | 87" | 19 1/2" | 20" |
| 6'-6"W x 6'L | 80" | 63" | 19 1/2" | 20" |
| 6'-6"W x 8'L | 80" | 87" | 19 1/2" | 20" |
| 7'W x 6'L | 85" | 63" | 19 1/2" | 20" |
| 7'W x 8'L | 85" | 87" | 19 1/2" | 20" |
| 6'W x 10'L | 74" | 111" | 23 1/2" | 24" |
| 6'-6"W x 10'L | 80" | 111" | 23 1/2" | 24" |
| 7'W x 10'L | 85" | 111" | 23 1/2" | 24" |

INSERT SPECIFIC JOB DIMENSIONS FROM CHART



NOT TO SCALE

NOTES

JOB

| | | | |
|--------|----------|---------|-----------------|
| DRAWN: | SCALE: | DATE: | DRAWING NUMBER: |
| D.E.A. | AS NOTED | 9/30/94 | PMI-2012-R1 |

| | | |
|------------------|---------------------|----------|
| TOLERANCES: | | |
| Inch Dimension = | Decimal Dimension = | Angles = |
| ± 1/16" | ± .005 | ± 1° |