

WINCH LIFT



4 SWIVEL WHEEL OPTION
 Add Suffix - 4SL
 Available for both models
 (adds 2" to raised & lowered height)

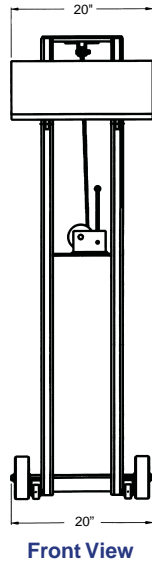
SPECIFICATIONS

Load Capacity	500 lbs.
Load Center	10"
Lowered Height	3 ¹ / ₈ "
Raised Height (LLH)	53"
Raised Height (LLW)	58"
Weight (LLH)	125 lbs.
Weight (LLW)	88 lbs.
Casters (Mold-on-Rubber)	2" x 6"

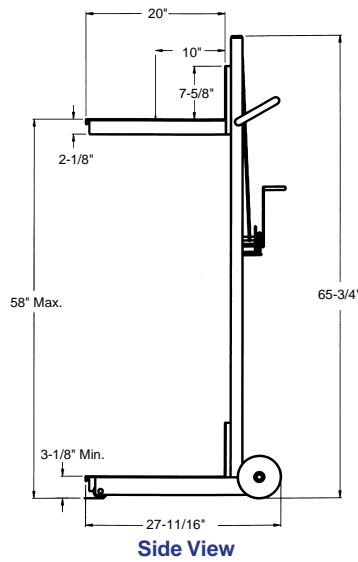


FRONT WHEEL OPTION
 BFW models have 2"
 diameter semi steel wheels

MODEL: BLLH



Front View



Side View

FLOOR LOCK OPTION
 Model - BLLW-FL
 Available on both models

MODEL: BLLW



HAND LIFT TRUCK

MODEL: BHYD-6-DC



Capacity	880 lbs.
Deck Size	21 ³ / ₄ "W x 25 ¹ / ₂ "L
Raised Height	47 ¹ / ₄ "
Lowered Height	7 ³ / ₄ "
Casters	Back 6" x 2" Front 6" x 1 ³ / ₄ "
Weight	257 lbs.
Straddle Legs I.D.	14 ¹ / ₂ "
Straddle Legs O.D.	16 ¹ / ₂ "
Battery	12V

FEATURES

- Chrome Plated Handle & Supports
- Heavy Duty Lifting Chain
- Solid Platform
- On-Board Battery Charger
- Mold-on-Rubber Casters

