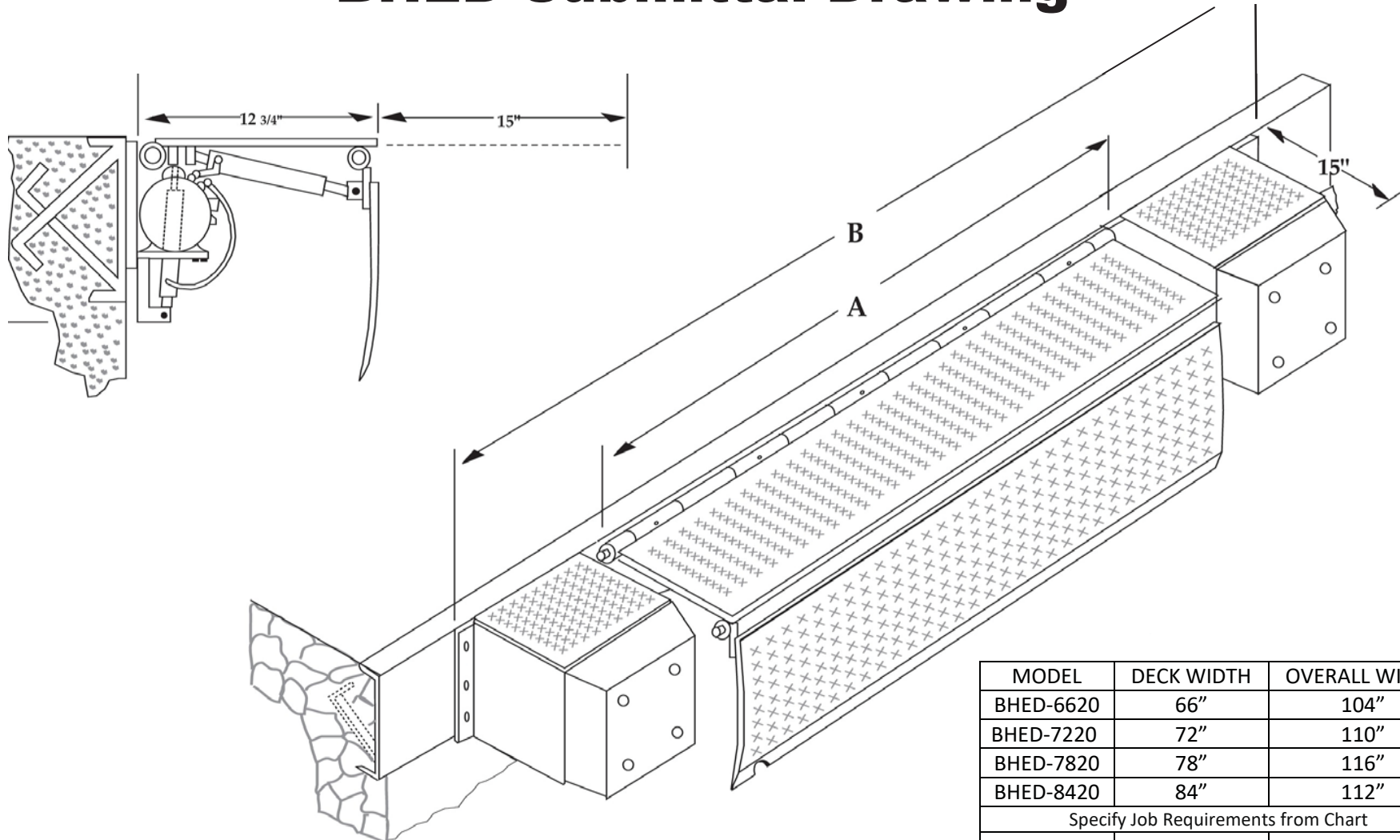


Hydraulic Edge of Dock BHED Submittal Drawing



BEACON[®]

BEACON INDUSTRIES, INC.

12300 Old Tesson Rd.

St. Louis, MO 63128-2247 USA

OFFICE: 314-487-7600 FAX: 314-487-0100

Approval

This includes my approval of design & dimensions.

Signed: _____

Date: _____

MODEL	DECK WIDTH	OVERALL WIDTH
BHED-6620	66"	104"
BHED-7220	72"	110"
BHED-7820	78"	116"
BHED-8420	84"	112"

Specify Job Requirements from Chart

½ H.P. 1. Ph, 115 V, 60 Hz Standard Power
(3 Phase Power Option Available)

20K, 25K & 30K Capacities Available

Customer: _____

Quote Number: _____

Project: _____