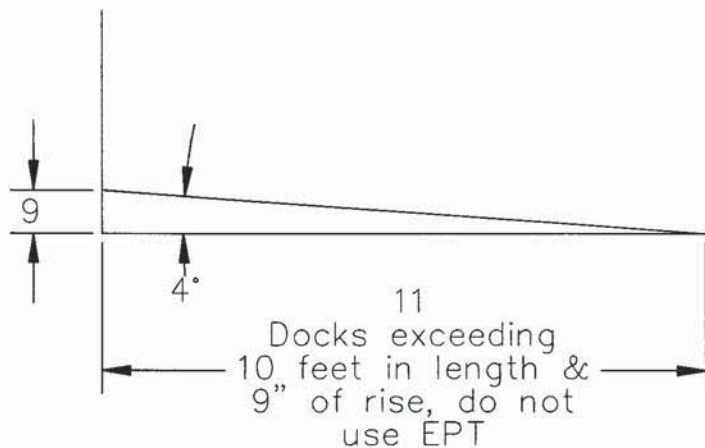
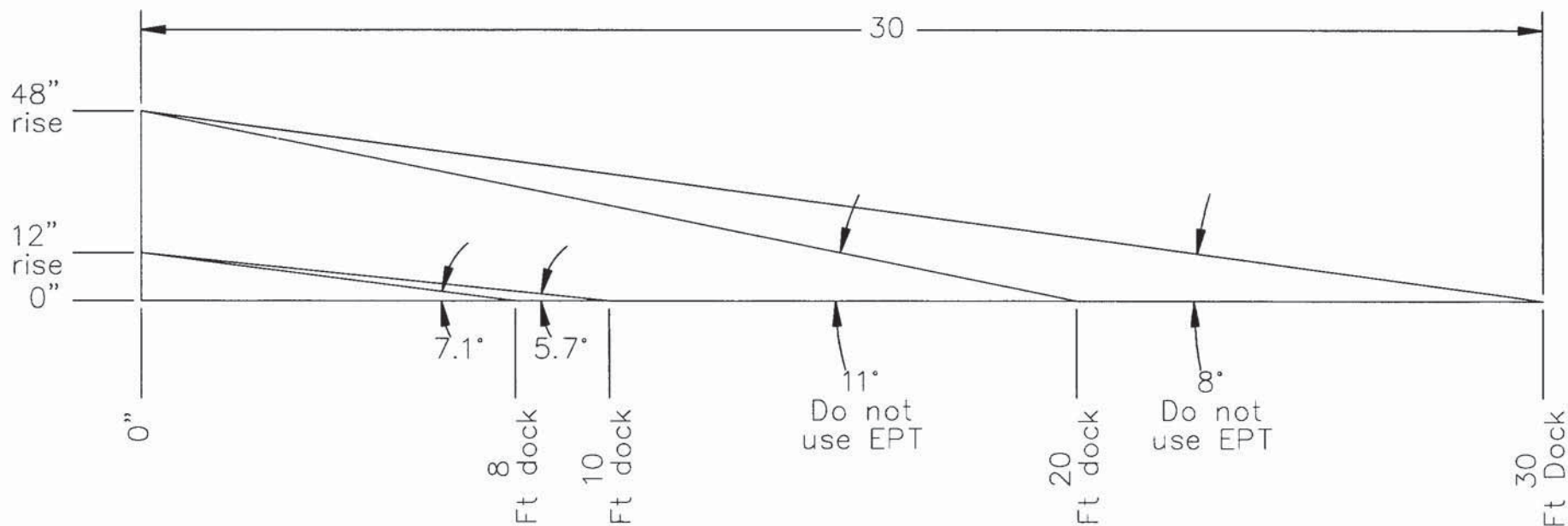


# ANGLE FORMULA FOR HAND TRUCK WITH LIFT

DWG NO: Default

LOCATION: J:\BILL\DEQUIPMENT\pallet truck\electric pallet jack\EPT in incline review, 12-7-06 | WEIGHT: 19494.69



UNLESS OTHERWISE SPECIFIED:			NAME	DATE
TOLERANCE	MACHINE	WELDMENT	DRAWN	BE Yeakle
±.0005	±.0010	±.005	CHECKED	
ANGLES	±.0050	±.010	ENG APPR.	
DECIMALS	XX ±.005	±.015	MFG APPR.	
FRACTIONS	±.1/32	±.1/16	Q.A.	
MATERIAL			COMMENTS:	
FINISH			-	
DO NOT SCALE DRAWING			TITLE:	

**Beacon Industries, Inc.**  
 12300 Old Tesson Rd.  
 St. Louis, MO 63128-2247 USA  
 314-487-7600 | 800-454-7159

PROPRIETARY AND CONFIDENTIAL  
 The information contained in this drawing is the sole property of Beacon Industries, Inc.. Any reproduction in part or as a whole without the written permission of Beacon Industries, Inc. is prohibited.

SIZE	DWG. Model #	REV
A	inclined review, 12-7-06	
	DWG File #:	
	inclined review, 12-7-06	
SCALE: 1:96	Weight: 19494.69	SHEET 1 OF 1

5

4

3

2

1