

BEACON™

CORD RAMPS

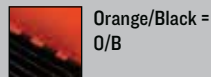
System features Dog Bone Connectors

FEATURES

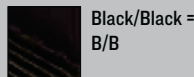
- Protects cables and hoses up to .75" outside dia.
- Dog Bone Connectors to extend to any desired length
- Reinforced hinged lid for easy cable placement
- Available with or without ADA/DDA Accessibility Ramps
- Patented 5-bar tread surface for maximum traction
- Modular interlocking design for easy setup

LOW PROFILE models are the most compact top-loading cable protectors on the market. These protectors provide a safer crossing for vehicle and pedestrian traffic, while still maintaining a high load-bearing capacity for heavy equipment. The Low Profile models are available with your choice of standard or ADA/DDA compliant ramps.

Lid/Base Color Options - Specify after model number

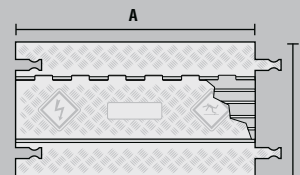


Orange/Black = O/B

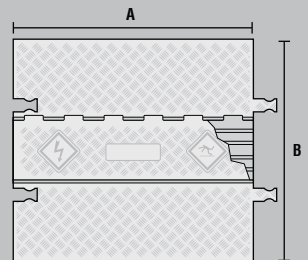


Black/Black = B/B

TOP VIEW WITH STANDARD RAMPS



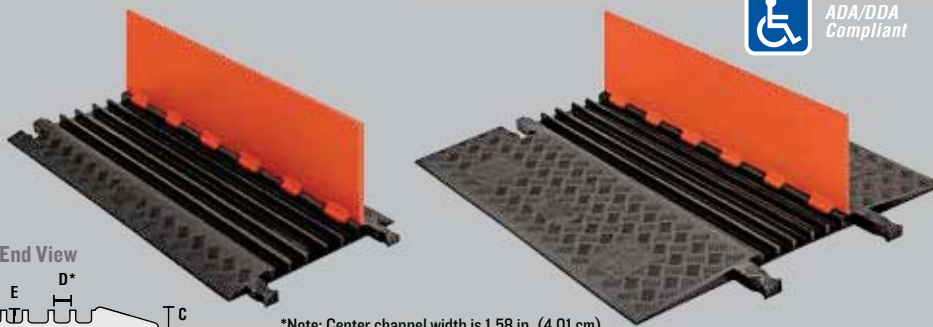
TOP VIEW WITH ADA RAMPS



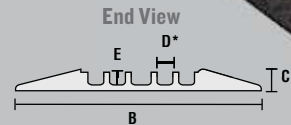
LOW PROFILE 5-CHANNEL General Purpose Cable Protectors



"Dog Bone" Connector



ADA/DDA Compliant



*Note: Center channel width is 1.58 in. (4.01 cm)



STANDARD LOAD CAPACITY

Max load tested at 70°F (21°C)

24,000 lb./Tire (10,886 kg)
48,000 lb./Axle (21,772 kg)

ADA/DDA LOAD CAPACITY

Max load tested at 70°F (21°C)

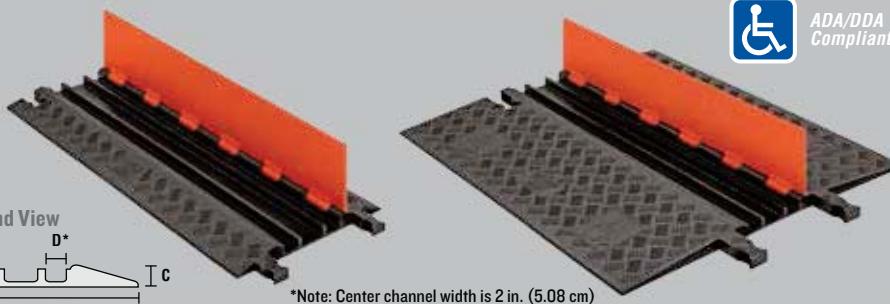
34,000 lb./Tire (15,422 kg)
68,000 lb./Axle (30,844 kg)

	MODEL	A: LENGTH	B: WIDTH	C: HEIGHT	D: CHANNEL WIDTH	E: CHANNEL HEIGHT	WEIGHT
STANDARD RAMPS	BGD5X75-ST	36 in. (91.44 cm)	16.9 in. (43.0 cm)	1.25 in. (3.18 cm)	1.28 in. (3.25 cm)	.75 in. (1.9 cm)	14.75 lb. (6.69 kg)
ADA/DDA RAMPS	BGD5X75	36 in. (91.44 cm)	33.3 in. (84.6 cm)	1.25 in. (3.18 cm)	1.28 in. (3.25 cm)	.75 in. (1.9 cm)	24.5 lb. (11.11 kg)

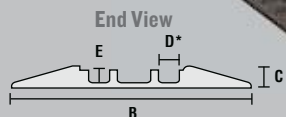
LOW PROFILE 3-CHANNEL General Purpose Cable Protectors



"Dog Bone" Connector



ADA/DDA Compliant



*Note: Center channel width is 2 in. (5.08 cm)



STANDARD LOAD CAPACITY

Max load tested at 70°F (21°C)

17,000 lb./Tire (7,711 kg)
34,000 lb./Axle (15,422 kg)

ADA/DDA LOAD CAPACITY

Max load tested at 70°F (21°C)

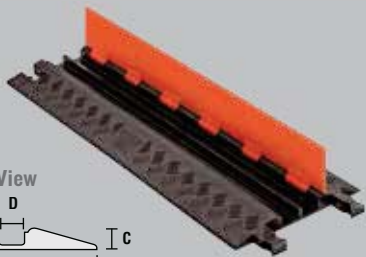
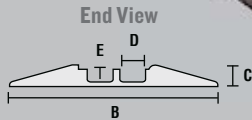
27,000 lb./Tire (12,246 kg)
54,000 lb./Axle (24,492 kg)

	MODEL	A: LENGTH	B: WIDTH	C: HEIGHT	D: CHANNEL WIDTH	E: CHANNEL HEIGHT	WEIGHT
STANDARD RAMPS	BGD3X75-ST	36 in. (91.44 cm)	13.8 in. (35.07 cm)	1.25 in. (3.18 cm)	1.25 in. (3.25 cm)	.75 in. (1.9 cm)	12.2 lb. (5.53 kg)
ADA/DDA RAMPS	BGD3X75	36 in. (91.44 cm)	30.3 in. (76.98 cm)	1.25 in. (3.18 cm)	1.25 in. (3.25 cm)	.75 in. (1.9 cm)	23.4 lb. (10.61 kg)

LOW PROFILE 2-CHANNEL General Purpose Cable Protectors



"Dog Bone" Connector



ADA/DDA Compliant



STANDARD LOAD CAPACITY

Max load tested at 70°F (21°C)

13,000 lb./Tire (5,896 kg)
26,000 lb./Axle (11,792 kg)

ADA/DDA LOAD CAPACITY

Max load tested at 70°F (21°C)

23,000 lb./Tire (10,432 kg)
46,000 lb./Axle (20,864 kg)

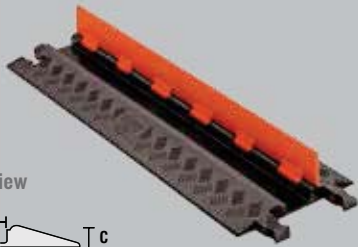
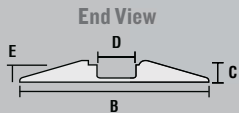
	MODEL	A: LENGTH	B: WIDTH	C: HEIGHT	D: CHANNEL WIDTH	E: CHANNEL HEIGHT	WEIGHT
STANDARD RAMPS	BGD2X75-ST	36 in. (91.44 cm)	11.94 in. (30.3 cm)	1.25 in. (3.18 cm)	1.5 in. (3.8 cm)	.75 in. (1.9 cm)	9.05 lb. (4.1 kg)
ADA/DDA RAMPS	BGD2X75	36 in. (91.44 cm)	28.38 in. (72.09 cm)	1.25 in. (3.18 cm)	1.5 in. (3.8 cm)	.75 in. (1.9 cm)	22.85 lb. (10.36 kg)



LOW PROFILE 1-CHANNEL General Purpose Cable Protectors



"Dog Bone" Connector



ADA/DDA Compliant



STANDARD LOAD CAPACITY

Max load tested at 70°F (21°C)

13,000 lb./Tire (5,896 kg)
26,000 lb./Axle (11,792 kg)

ADA/DDA LOAD CAPACITY

Max load tested at 70°F (21°C)

23,000 lb./Tire (10,432 kg)
46,000 lb./Axle (20,864 kg)

	MODEL	A: LENGTH	B: WIDTH	C: HEIGHT	D: CHANNEL WIDTH	E: CHANNEL HEIGHT	WEIGHT
STANDARD RAMPS	BGD1X75-ST	36 in. (91.44 cm)	10.81 in. (27.46 cm)	1.25 in. (3.18 cm)	2.25 in. (5.72 cm)	.75 in. (1.9 cm)	7.8 lb. (3.54 kg)
ADA/DDA RAMPS	BGD1X75	36 in. (91.44 cm)	27.25 in. (69.22 cm)	1.25 in. (3.18 cm)	2.25 in. (5.72 cm)	.75 in. (1.9 cm)	21.1 lb. (9.55 kg)



ANTI-SLIP TRACTION KITS for Low Profile Standard Ramp Models

MODEL	DESCRIPTION	WEIGHT
BCPRPKIT.75-20	Anti-Slip Rubber Pad Kit for all Guard Dog Low Profile Protectors with Standard Ramps (includes 20 anti-slip rubber pads)	.11 lb. (.05 kg)
BCPGLUE	1/2 oz. Bottle of Clear Super Glue (best if kept refrigerated). Use for permanent application of Anti-Slip Rubber Pads	.07 lb. (.032 kg)
BCPCARPETKIT-3	Carpet Kit with VELCRO® Brand Fasteners for all Guard Dog Low Profile Protectors with Standard Ramps (includes two 37" x .25" Black Traction Strips and a 1/2 oz. Bottle of Clear Super Glue)	.09 lb. (.041 kg)

