

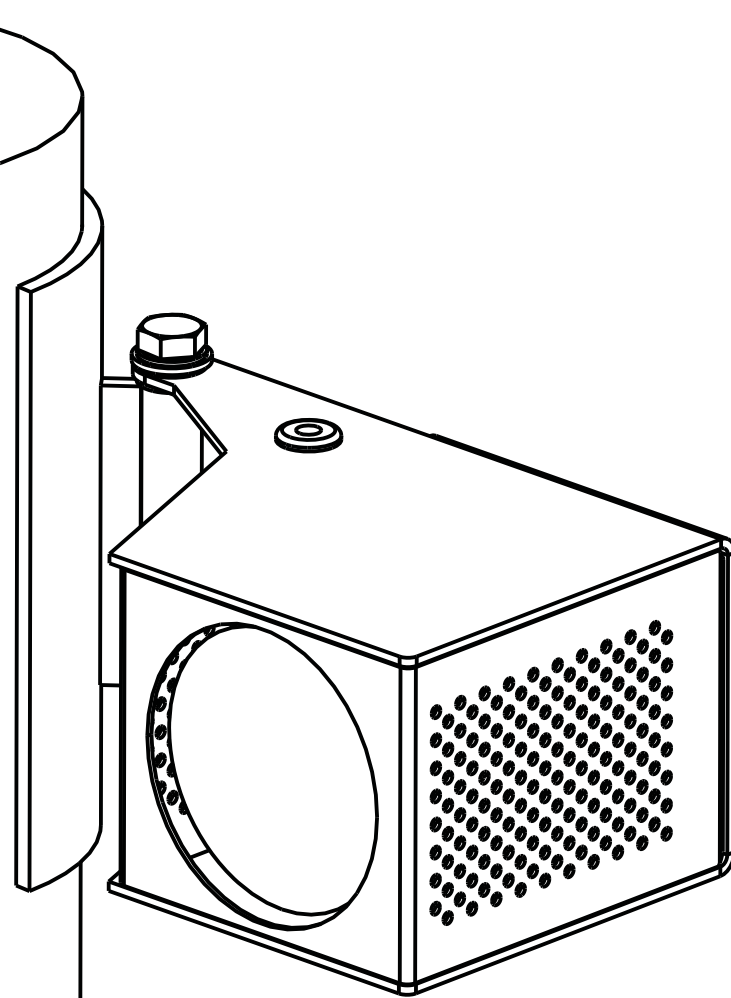
Ever Light[®] Lighting System

DOCK LIGHT PIPE MOUNTED Loading Dock Spot Light



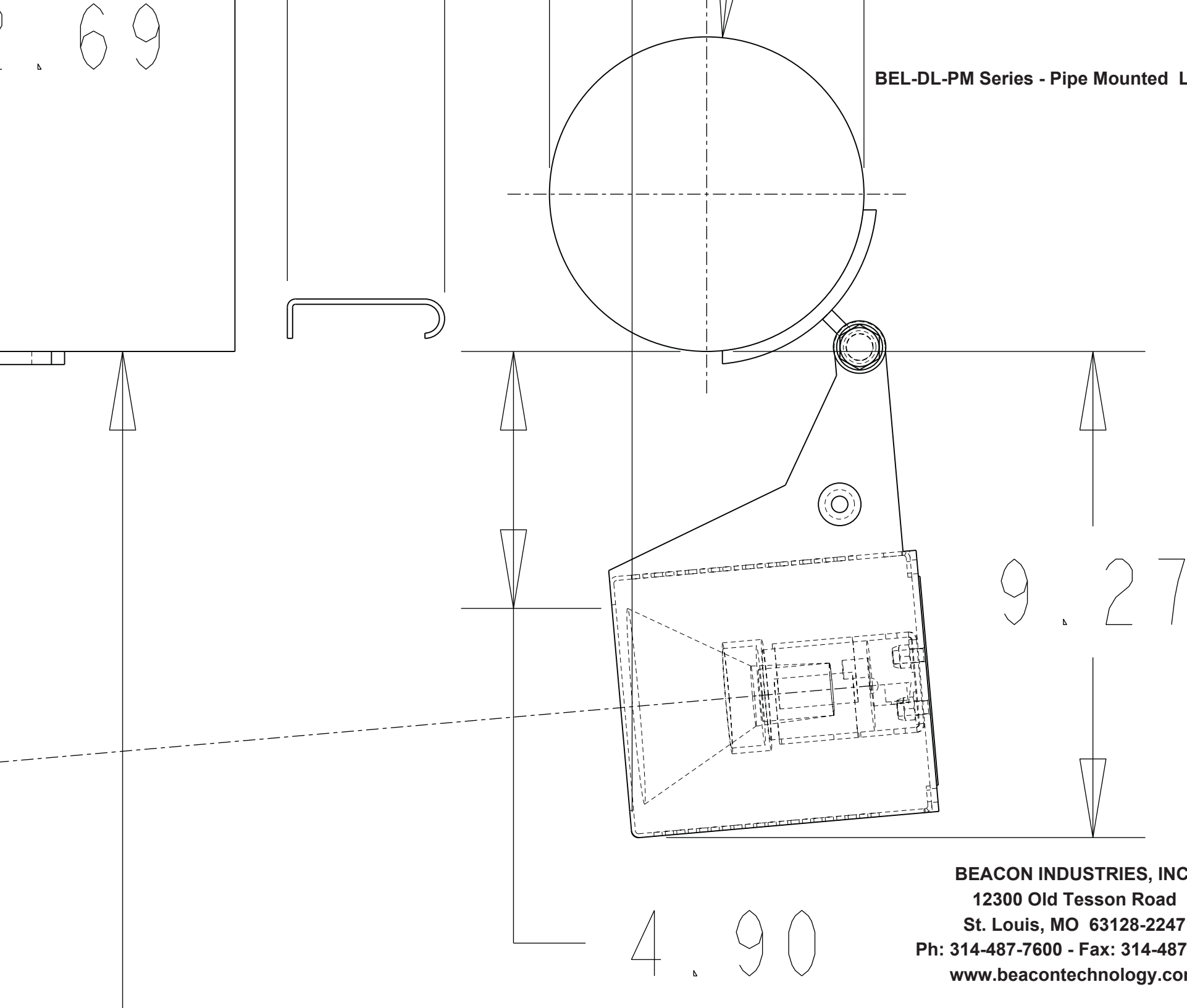
Beacon Industries, Inc.
12300 Old Tesson Road
St. Louis, MO 63128-2247
Ph: 314-487-7600 – Fax: 314-487-0100
www.beacontechology.com

BEL-DL-PM Series - Pipe Mounted Loading Dock Light



BEACON INDUSTRIES, INC.
12300 Old Tesson Road
St. Louis, MO 63128-2247
Ph: 314-487-7600 - Fax: 314-487-0100
www.beacontechnology.com

BEL-DL-PM Series - Pipe Mounted Loading Do



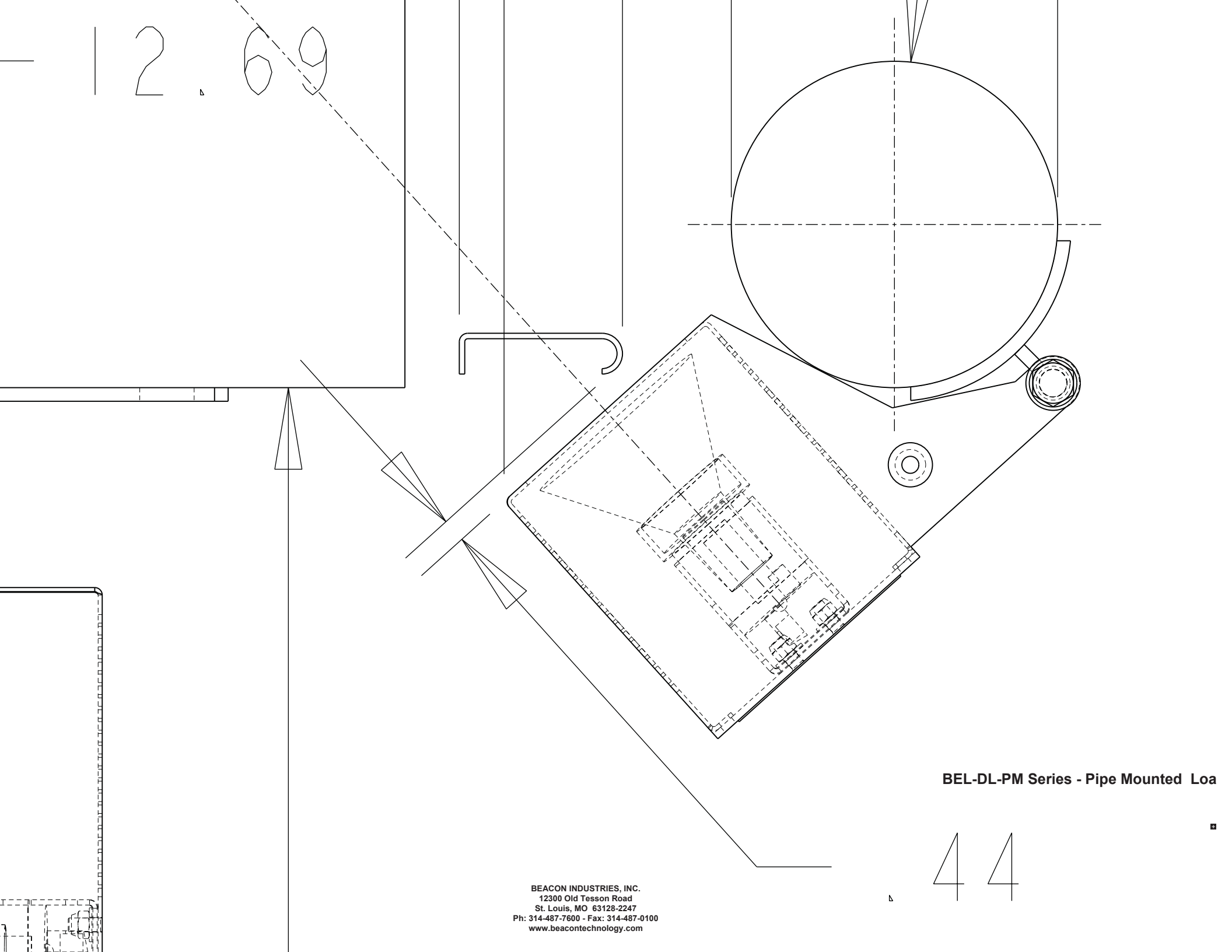
BEACON INDUSTRIES, INC.

12300 Old Tesson Road

St. Louis, MO 63128-2247

Ph: 314-487-7600 - Fax: 314-487-0100

www.beacontechology.com



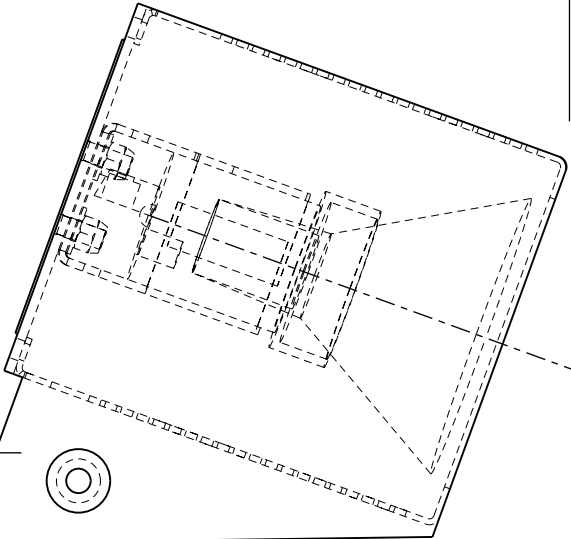
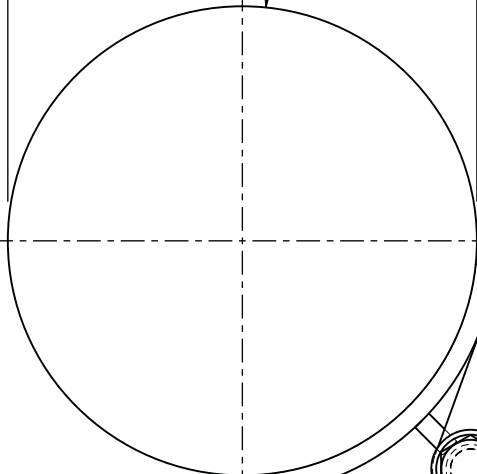
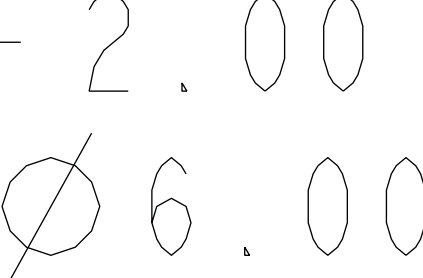
2 0

BEL-DL-PM Series - Pipe Mounted Loa

4 4

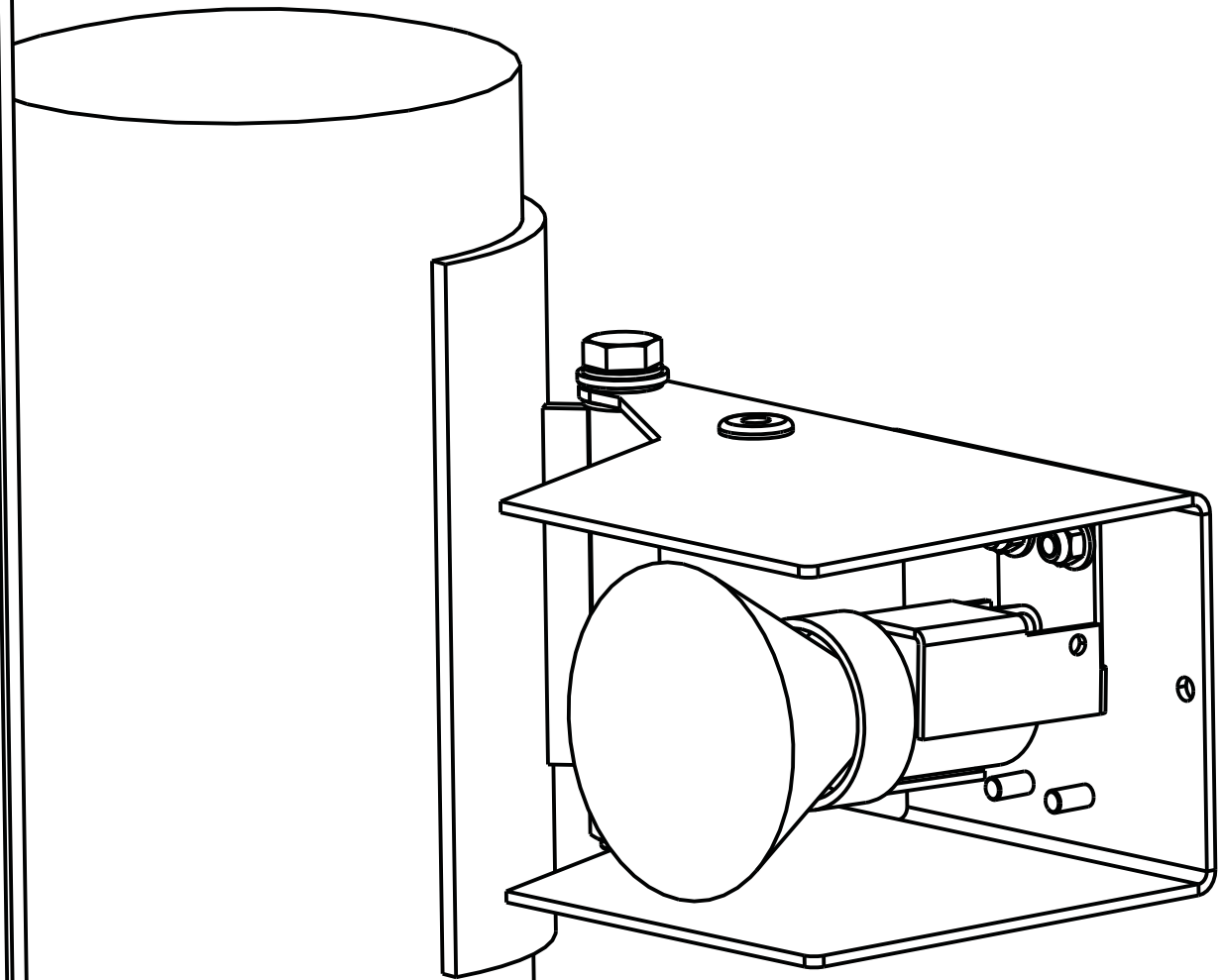
BEACON INDUSTRIES, INC.
12300 Old Tesson Road
St. Louis, MO 63128-2247
Ph: 314-487-7600 - Fax: 314-487-0100
www.beacontechnology.com

**BEL-DL-PM Series - Pipe Mounted
Loading Dock Light**



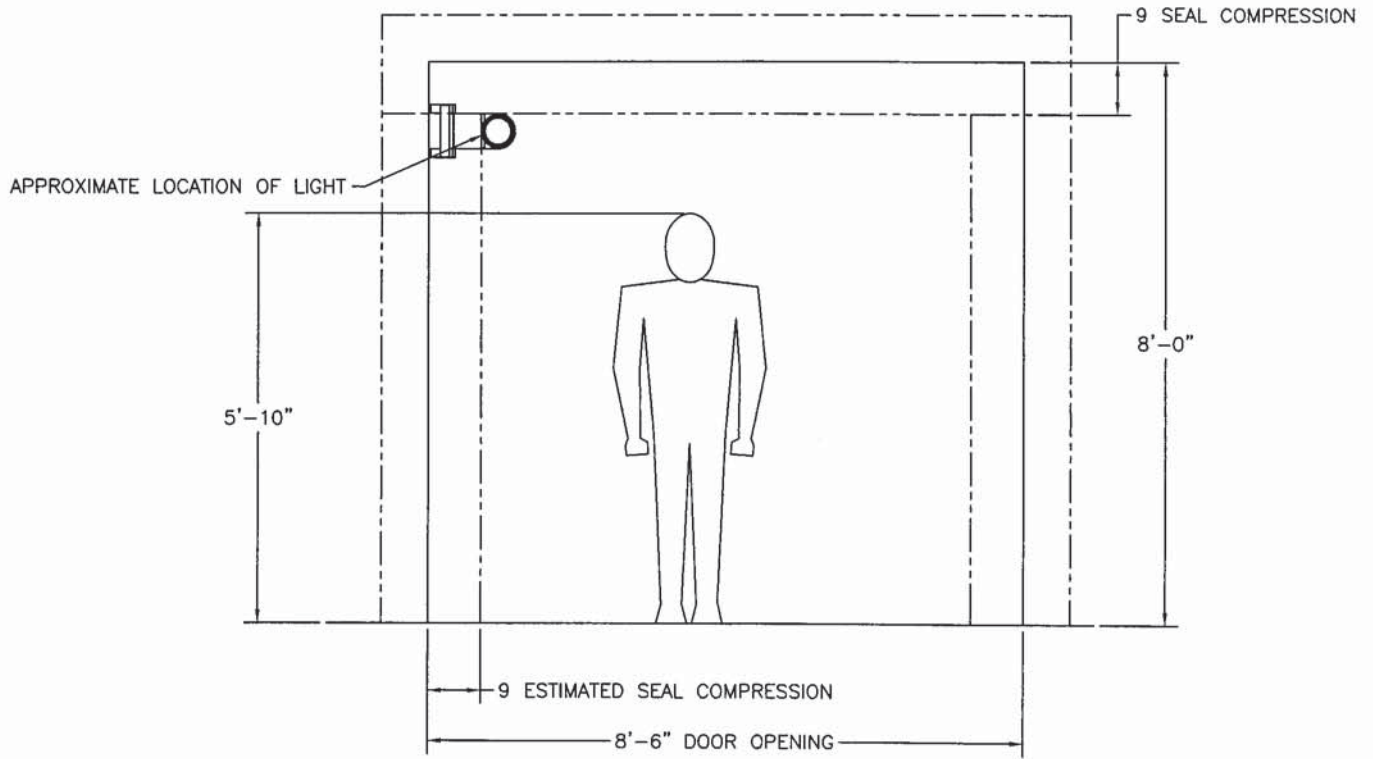
BEACON INDUSTRIES, INC.
12300 Old Tesson Road
St. Louis, MO 63128-2247
Ph: 314-487-7600 - Fax: 314-487-0100
www.beacontechology.com

**BEL-DL-PM Series - Pipe Mounted
Loading Dock Light**



BEACON INDUSTRIES, INC.
12300 Old Tesson Road
St. Louis, MO 63128-2247
Ph: 314-487-7600 - Fax: 314-487-0100
www.beacontechology.com

BEL-DL-PM Series - Pipe Mounted Loading Dock Light



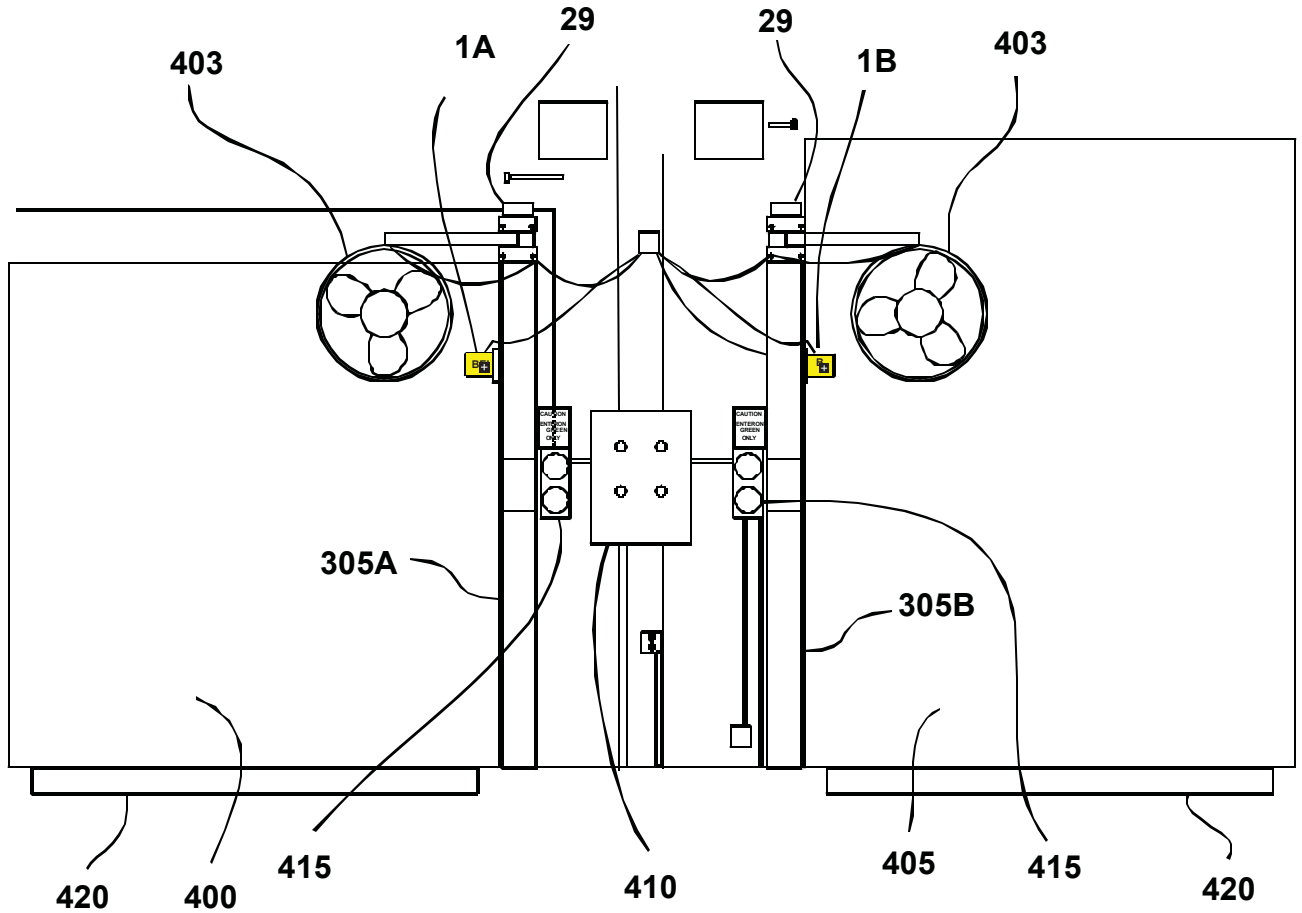
APPROVAL

I, the undersigned, hereby approve this print
 () As drawn () As marked

Signed: _____
 Date: _____

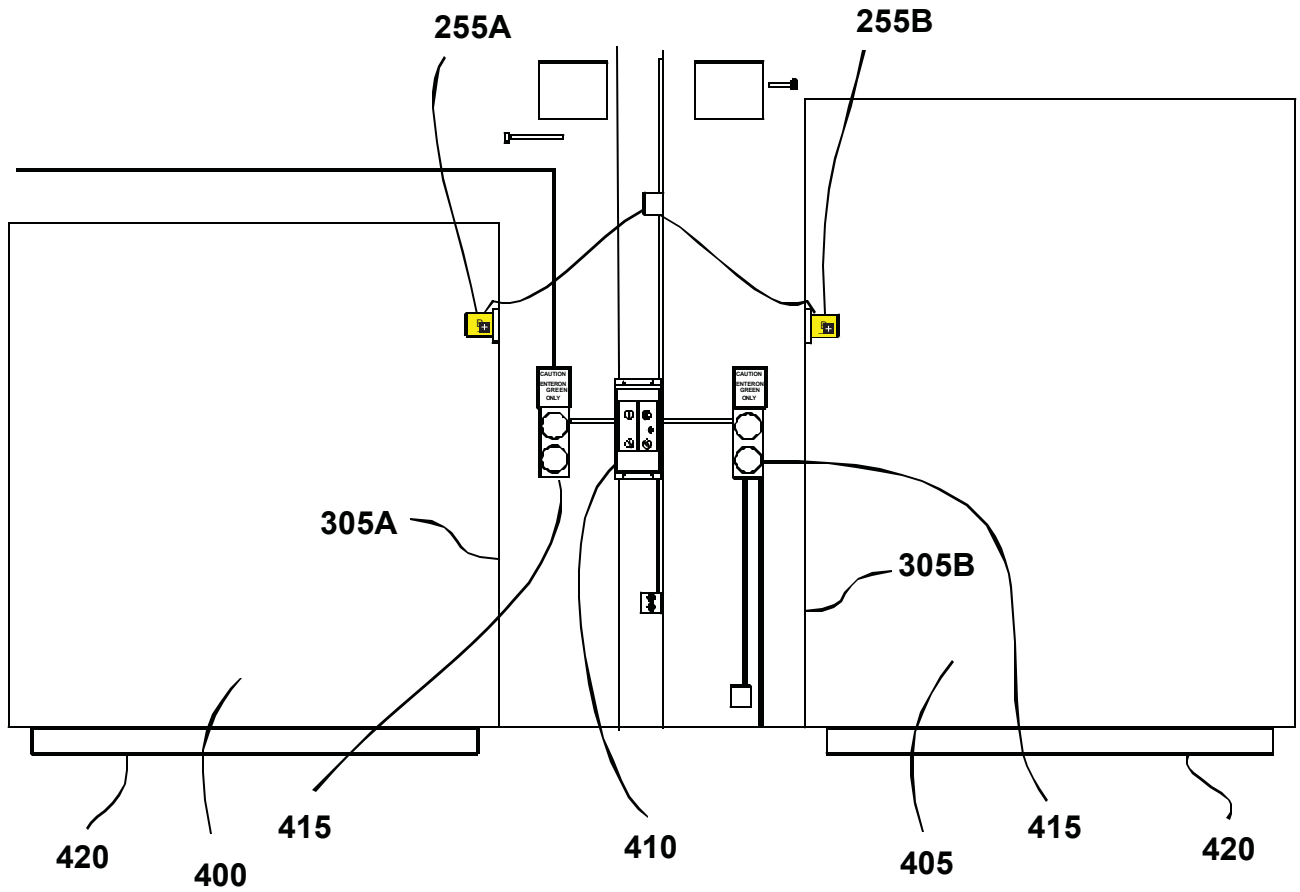
D		TITLE	EverLight (Swing Design) Loading Dock Spotlight					
C						BEACON INDUSTRIES, INC. 12300 Old Tesson Road St. Louis MO 63128-2247		
B								
A		MATERIAL	OWNER	DESIGNED	DATE	SCALE	DWG. NO.	REV. SHEET NO.
	DATE	DESCRIPTION	TMDD		01/14/00	none	EL-SW-2001-05	0 1 of 1

**BEL-DL-PM Series - Pipe Mounted
Loading Dock Light**



BEACON INDUSTRIES, INC.
12300 Old Tesson Road
St. Louis, MO 63128-2247
Ph: 314-487-7600 - Fax: 314-487-0100
www.beacontechology.com

BEL-DL-PM Series - Pipe Mounted Loading Dock Light



BEACON INDUSTRIES, INC.
12300 Old Tesson Road
St. Louis, MO 63128-2247
Ph: 314-487-7600 - Fax: 314-487-0100
www.beacontechology.com