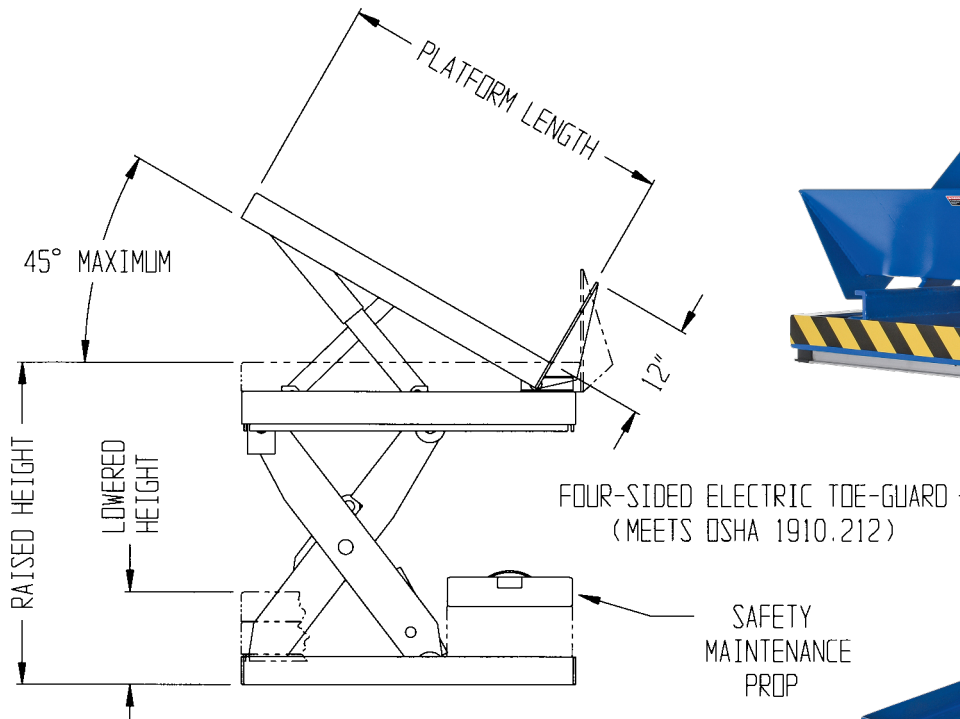


# BEHLTT SERIES

## Hydraulic Ergonomic Lift and Tilt Scissor Table



### ENGINEERS SPECIFICATIONS

#### GENERAL

Lift and Tilt Table.

#### DESCRIPTION

The BEHLTT Series comes equipped with maximum stability. Operating by sliding and tilting, deck minimizes space and keeps center of load near center of table.

#### SCOPE

The Hydraulic Lift and Tilt Scissor Table has been designed to raise materials to the proper working height and tilt them to an ergonomic working position.

#### DIMENSIONS

Standard units are available in raised heights of 47" and are capable of tilting materials 45 degrees. The BEHLTT special pivoting design not only reduces operating space, it also brings loads toward the center of the table.

#### OPERATION

The BEHLTT Series comes with a 24v AC, NEMA 4 push button hand control on an 8' cord. (foot controls are optional).

#### CONSTRUCTION

The BEHLTT Series is completely fabricated from structural steel components. All steel welded construction.

#### HYDRAULICS

Emergency Hydraulic Safety Stop on all hydraulic cylinders. Cylinders are of the displacement style. An integrated valve manifold is included standard.

#### ELECTRICAL

The Lift and Tilt Table is powered by a 2 HP, electric motor. Additionally supplied with the unit is an 8 ft. power cord and 8 ft. control cord with a hand held push button control.

#### SAFETY EQUIPMENT

A restraint chain helps to keep loads securely in

place. Toe guards and a maintenance bar are standard equipment.

#### PAINT

Durable polyurethane enamel paint is used on all parts of the BEHLTT Series. The platform, toe-guards and major moving parts are Beacon Blue.

#### OWNERS MANUAL

An owners manual comes with each unit, including Serial Numbers, General Information, Installation, Wiring Schematics, Hydraulics Schematics, Operating Instructions, Loading and Unloading Instructions, Maintenance Instructions, Trouble Shooting Chart and Part Numbers Listed.

#### WARRANTY

The BEHLTT Series comes with a Limited Warranty - 1 year on structure, 1 year on hydraulic components and 1 year on electrical components.

#### OPTIONS

Accordion Skirting is available.

MODEL #	PLATFORM W X L	CAPACITY	VERTICAL TRAVEL	LOWERED HEIGHT	RAISED HEIGHT	TILTING RANGE	WEIGHT
BEHLTT-3648-1	36 x 48	1000#	36"	11"	47"	0° - 45°	1010#
BEHLTT-4848-1	48 x 48	1000#	36"	11"	47"	0° - 45°	1115#
BEHLTT-3648-2	36 x 48	2000#	36"	11"	47"	0° - 45°	1180#
BEHLTT-4848-2	48 x 48	2000#	36"	11"	47"	0° - 45°	1290#
BEHLTT-3648-4	36 x 48	4000#	36"	11"	47"	0° - 45°	1305#
BEHLTT-4848-4	48 x 48	4000#	36"	11"	47"	0° - 45°	1420#