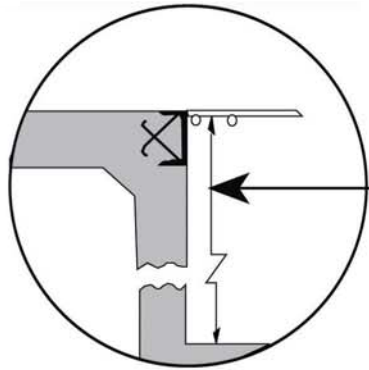
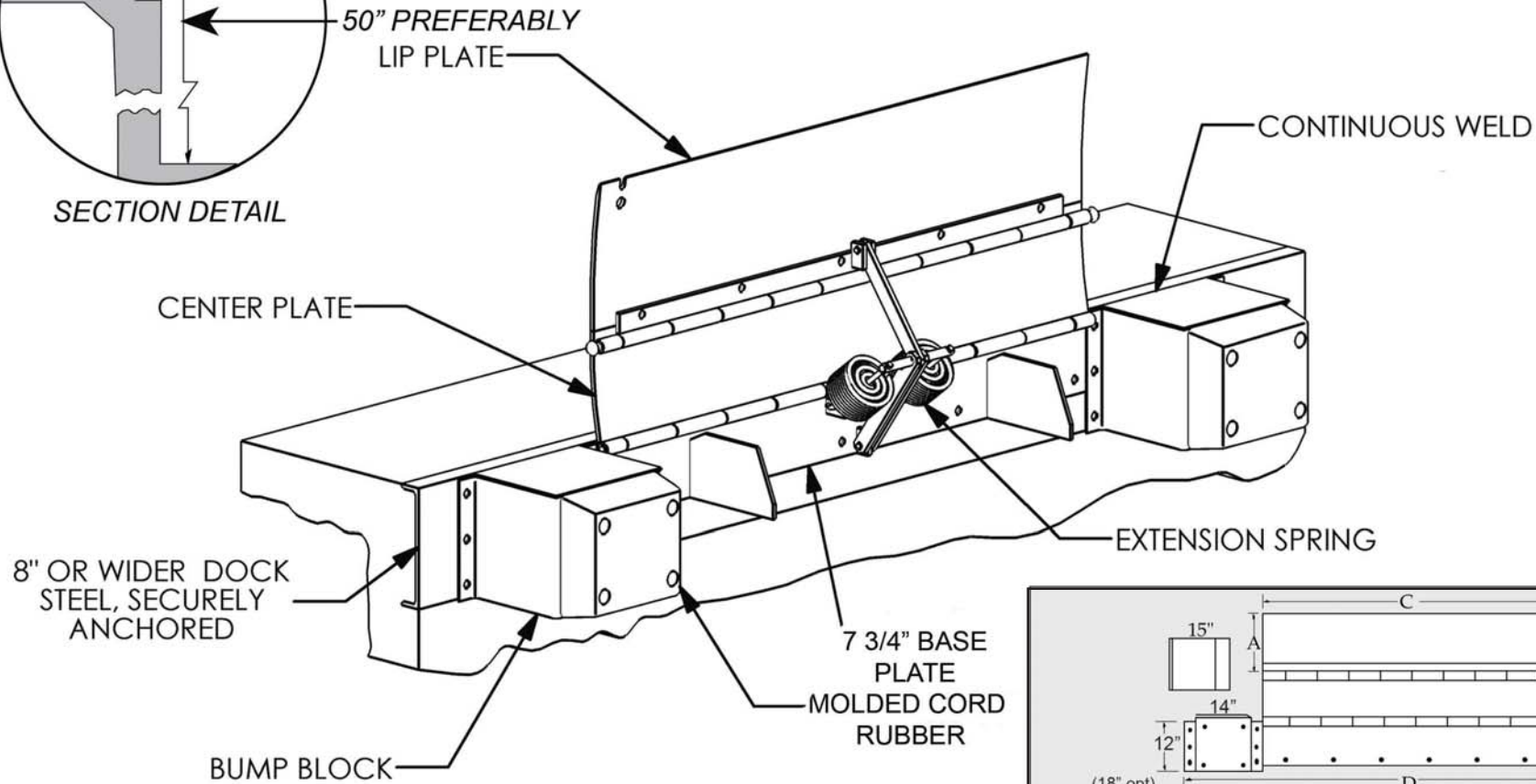


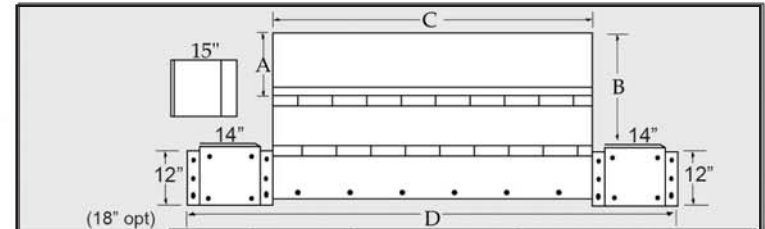
# CONTRACTOR EDGE OF DOCK BEDE SUBMITAL DRAWING



SECTION DETAIL



Notes: Deck & Lip - 55,000 min. yield steel



	A	B	C	D	E	F
	Lip Length	Span	Deck Width	Overall Width	Rated Capacity Lbs	Plate Thickness
BEDE-6620M	15"	27 3/4"	66"	104"	20,000	3/8"
BEDE-6625MH	15"	27 3/4"	66"	104"	25,000	7/16"
BEDE-7220M	15"	27 3/4"	72"	110"	20,000	3/8"
BEDE-7225MH	15"	27 3/4"	72"	110"	25,000	7/16"
Specify Job Requirements from Chart						

**BEACON**<sup>®</sup>

**BEACON INDUSTRIES, INC.**

12300 Old Tesson Rd.

St. Louis, MO 63128-2247 USA

OFFICE: 314-487-7600 FAX: 314-487-0100

**Approval**

This includes my approval of design & dimensions.

Signed: \_\_\_\_\_

Date: \_\_\_\_\_

**Customer:** \_\_\_\_\_

**Quote:** \_\_\_\_\_

**Project:** \_\_\_\_\_