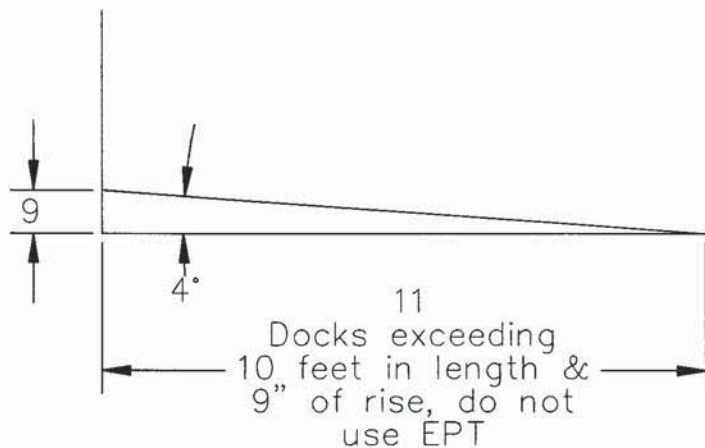
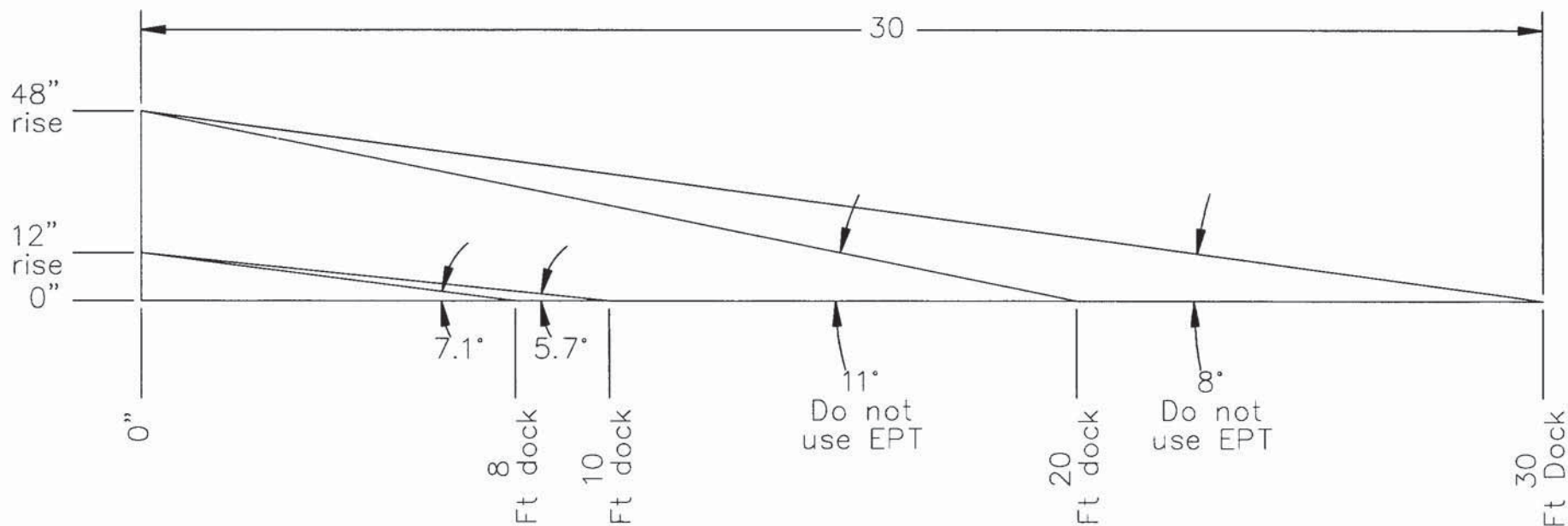


# ANGLE FORMULA FOR ALL TERRAIN PALLET JACK

DWG NO: Default

LOCATION: J:\BILL\DEQUIPMENT\pallet truck\electric pallet jack\EPT in incline review, 12-7-06 | WEIGHT: 19494.69



UNLESS OTHERWISE SPECIFIED:			NAME	DATE
TOLERANCE	MACHINE	WELDMENT	DRAWN	BE Yeakle
±0.005	±0.005	±0.005	CHECKED	
ANGLES	±0.005	±0.005	ENG APPR.	
DECIMALS	XX ± 0.005	XX ± 0.005	MFG APPR.	
FRACTIONS	± 1/32	± 1/16	Q.A.	
MATERIAL			COMMENTS:	
FINISH			-	
DO NOT SCALE DRAWING			TITLE:	
			<b>Beacon Industries, Inc.</b> 12300 Old Tesson Rd. St. Louis, MO 63128-2247 USA 314-487-7600   800-454-7159	
			SIZE: DWG Model # A incline review, 12-7-06 DWG File #: incline review, 12-7-06	REV
			SCALE: 1:96	Weight: 19494.69 SHEET 1 OF 1

PROPRIETARY AND CONFIDENTIAL  
 The information contained in this drawing is the sole property of Beacon Industries, Inc.. Any reproduction in part or as a whole without the written permission of Beacon Industries, Inc. is prohibited.