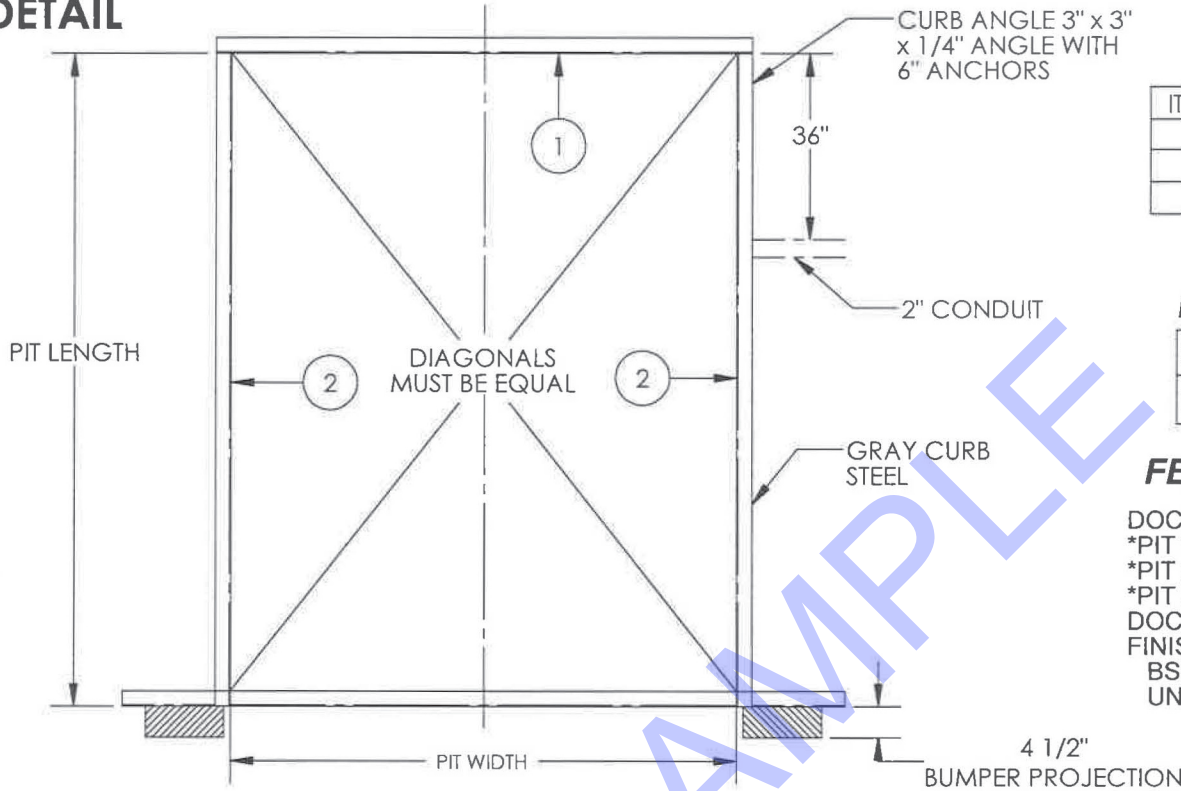


Long Dock Leveler -

DOES NOT INCLUDE WEIGHT OF POWER OR PACKAGING!!!

*** ANY ADDITIONS, DELETIONS, OR OMISSIONS MUST BE CORRECTED ON THIS DRAWING AS THIS DRAWING WILL BE CONSIDERED ALL INCLUSIVE ***
 ALL GRAPHICS PROVIDED ARE FOR REFERENCE ONLY. IF CERTAIN DIMENSIONS ARE CRITICAL PLEASE VERIFY THOSE DIMENSIONS WITH YOUR SALESPERSON

PIT DETAIL



ITEM #	DESCRIPTION	QTY.
1	3" x 3" x 1/4" ANGLE x	2
2	3" x 3" x 1/4" ANGLE x	2
3	3" x 3" x 1/4" x 24 1/2"L	2

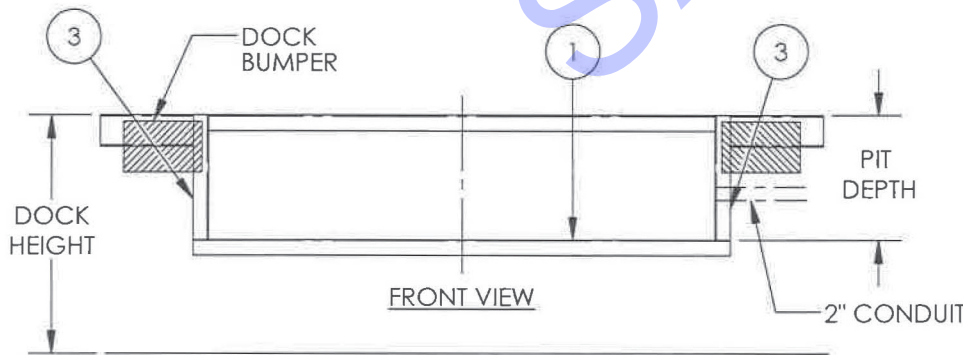
PLEASE CIRCLE SPECIFICATIONS:

NEW	(PIT) CONSTRUCTION
EXISTING	(PIT) CONSTRUCTION

FEATURES

DOCKLEVELER MODEL NUMBER:
 *PIT WIDTH IS
 *PIT LENGTH IS
 *PIT DEPTH IS 24"
 DOCK HEIGHT IS 48" (48" STANDARD)
 FINISH COAT COLOR
 BSPO-LW-GY-SG SPECIAL PAINT OPTION
 UNIT PAINTED BATTLESHIP GRAY

PLAN VIEW



FRONT VIEW

DIMENSION TOLERANCE ± 1/4"

APPROVAL

I, THE UNDERSIGNED, AGREE THAT THE PRODUCT AS REPRESENTED SATISFIES DESIGN AND DIMENSION REQUIREMENTS. I ALSO ACKNOWLEDGE MY DUTY TO CONFIRM PRODUCT AND INSTALLATION COMPLIANCE WITH ALL APPLICABLE FEDERAL, STATE AND LOCAL REGULATIONS AND STANDARDS.
ALL SPECIAL UNITS ARE NON-RETURNABLE
 As drawn As marked

Signed: _____ Date: _____

LEAD TIME WILL START UPON RECEIPT OF SIGNED APPROVAL DRAWING

BEACON INDUSTRIES

P.O.#

W.O.#

DRAWN BY:

DATE:

SALES:

REFERENCE:

SCALE: NTS

FILE NAME:

QUOTED LEAD TIME:

QUOTE #

****SPECIAL UNITS ARE NON-RETURNABLE**