

**BEACON INDUSTRIES, INC.**

12300 Old Tesson Rd.

St. Louis, MO 63128-2247 USA

OFFICE: 314-487-7600 FAX: 314-487-0100

*Ergonomic Solutions*

# OWNER'S MANUAL

ACCORDION SKIRT KIT

Model BSSK-1, BSSK-, BSSK-3

**Contents**

Safety Precautions .....	1	Installation Instructions .....	1-2
Receiving Instructions .....	1	Warranty .....	1

**SAFETY PRECAUTIONS****Read owner's manual completely before operating unit!**

- Keep hands, feet and foreign objects out from underneath lift
- Never crawl under lift

**RECEIVING INSTRUCTIONS**

Every unit is thoroughly tested and inspected prior to shipment. However, it is possible that the unit may incur damage during transit. If damage is noticed when unloading, make a note of it on the **BILL OF LADING**. Remove all packing and strapping material, then inspect the unit again for damage. **IF DAMAGE IS EVIDENT, FILE A CLAIM WITH THE CARRIER IMMEDIATELY!** Finally, check the design specifications to ensure they match those as requested (i.e. table size, control type, motor voltage, etc...)

**INSTALLATION INSTRUCTIONS**

**STEP 1** - Unpack accordion skirt kit carefully. Avoid bending the aluminum extrusions and rods.

**STEP 2** - Refer to **Figure 2** at the right. Thread the rope top of the accordion skirt (1) into the aluminum extrusions (2).

**STEP 3** - Place the accordion skirt, with the extrusions installed, over the deck of the scissor table as shown in **Figure 1**.

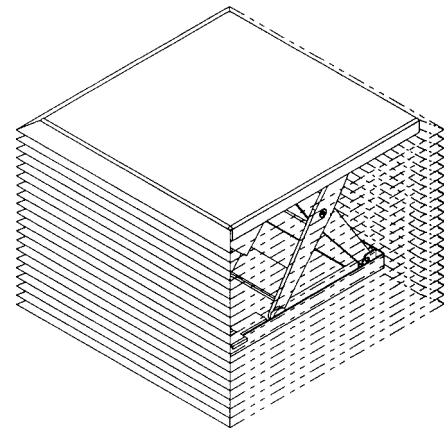
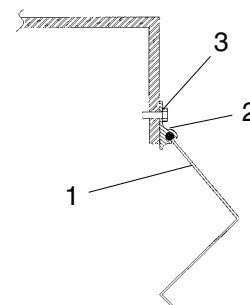
**STEP 4** - Attach aluminum extrusions to sides of Lift Table. Carefully line up holes in aluminum extrusion with holes in side of Lift Table. Secure extrusion to table using 5/16" self-tapping screws (3).

**STEP 5** - Insert stiffener rods into accordion skirt. Locate 1/4" holes in ends of **BLACK** convolutions of accordion skirt. Carefully insert stiffener rod into hole, taking care not to rip or damage the skirt.

**WARRANTY**

This product is warranted for one year from date of purchase to be free of manufacturing defects in material and workmanship. The manufacturer's obligation hereunder is limited to repairing such products during the warranty period, provided the product is sent prepaid back to the factory.

This warranty does not cover normal wear of parts or damage resulting from any of the following: negligent use or misuse of the product, use or application contrary to installation instructions, or disassembly, repair or alteration by any person prior to authorization from a factory representative.

**FIGURE 1****FIGURE 2**

## INSTALLATION INSTRUCTIONS FOR LIFT & TILT SCISSOR TABLE

**STEP 1** - Unpack accordion skirt kit carefully. Avoid bending the aluminum extrusions and rods.

**STEP 2** - Refer to **Figure 1** at the right. Install steel angles (1) on sides of deck frame using the predrilled holes (2) and the self tapping screws (3) provided.

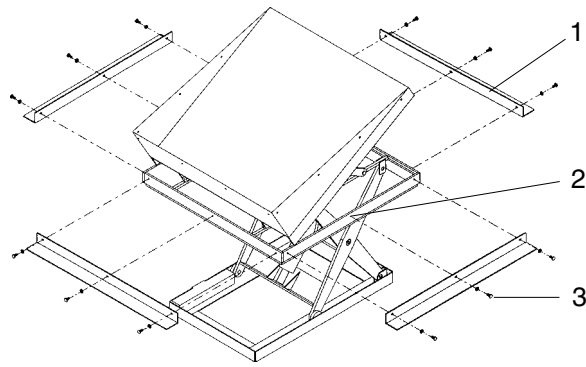
**STEP 3** - Refer to **Figure 2** at the right. Thread the rope top of the accordion skirt (4) into the aluminum extrusions (5) taking care to match lengths. Identify the two longer sides of the accordion skirt by the amount of exposure at each end of the aluminum extrusions.

**STEP 4** - Place the accordion skirt with extrusions installed around the unit as shown in **Figure 3**. The skirt will rest on the previously installed angles.

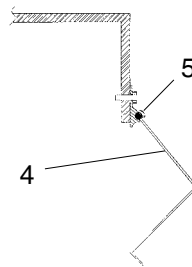
**STEP 5** - Attach aluminum extrusions to sides of Lift Table. Carefully line up holes in aluminum extrusion with holes in side of Lift Table. Secure extrusion to table using 5/16" self-tapping screws.

**STEP 6** - Insert stiffener rods into accordion skirt. Locate 1/4" holes in ends of *BLACK* convolutions of accordion skirt. Carefully insert stiffener rod into hole, taking care not to rip or damage the skirt.

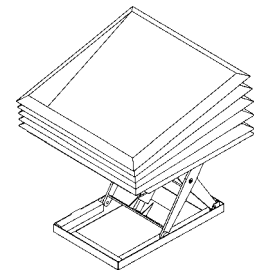
**FIGURE 1**



**FIGURE 2**



**FIGURE 3**



## INSTALLATION INSTRUCTIONS FOR GROUND SCISSOR LIFT

**STEP 1** - Unpack accordion skirt kit carefully. Avoid bending the aluminum extrusions and rods.

**STEP 2** - Refer to **Figure 1** at the right. Attach steel angle back support (4) to the Lift Table using the 3/8"-16 x 1 1/2" bolts, 3/8" flat washers and 3/8" lock nuts. Make sure steel angle back support is attached to Lift Table before proceeding on to the next step. **NOTE:** Steel angle back support should be firmly attached - *DO NOT OVERTIGHTEN NUTS AND BOLTS.*

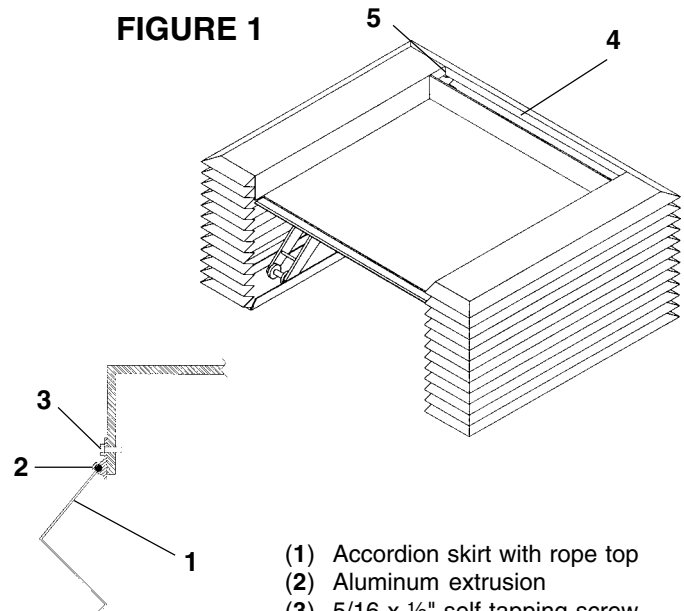
**STEP 3** - Thread the rope top of the accordion skirt (1) into the aluminum extrusions (2) taking care to match lengths.

**STEP 4** - With the lift slightly elevated, place the accordion skirt with extrusions installed around the unit as shown in **Figure 1**.

**STEP 5** - Attach aluminum extrusions to sides of Lift Table. Carefully line up holes in aluminum extrusion with holes in side of Lift Table. Secure extrusion to table using 5/16" self-tapping screws (3).

**STEP 6** - Insert stiffener rods into accordion skirt. Locate 1/4" holes in ends of *BLACK* convolutions of accordion skirt. Carefully insert stiffener rod into hole, taking care not to rip or damage the skirt.

**FIGURE 1**



- (1) Accordion skirt with rope top
- (2) Aluminum extrusion
- (3) 5/16 x 1/2" self-tapping screw
- (4) Steel angle back support
- (5) Holes for mounting steel angle