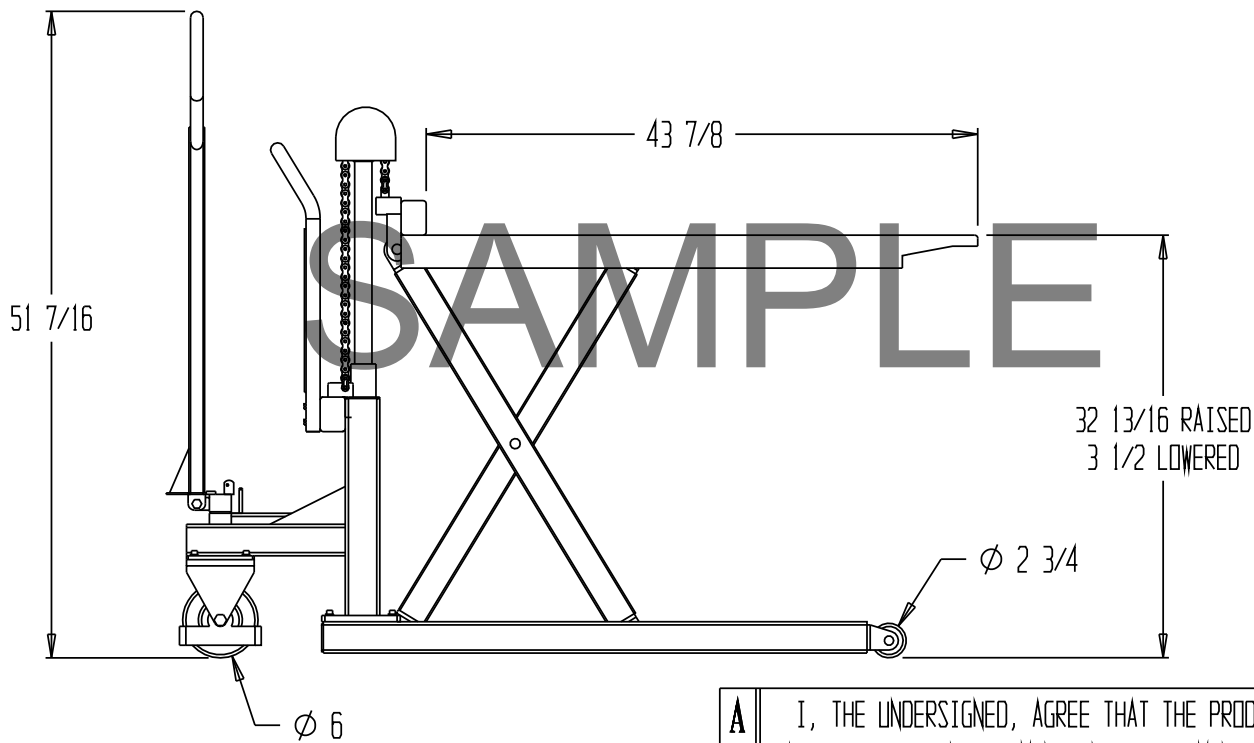
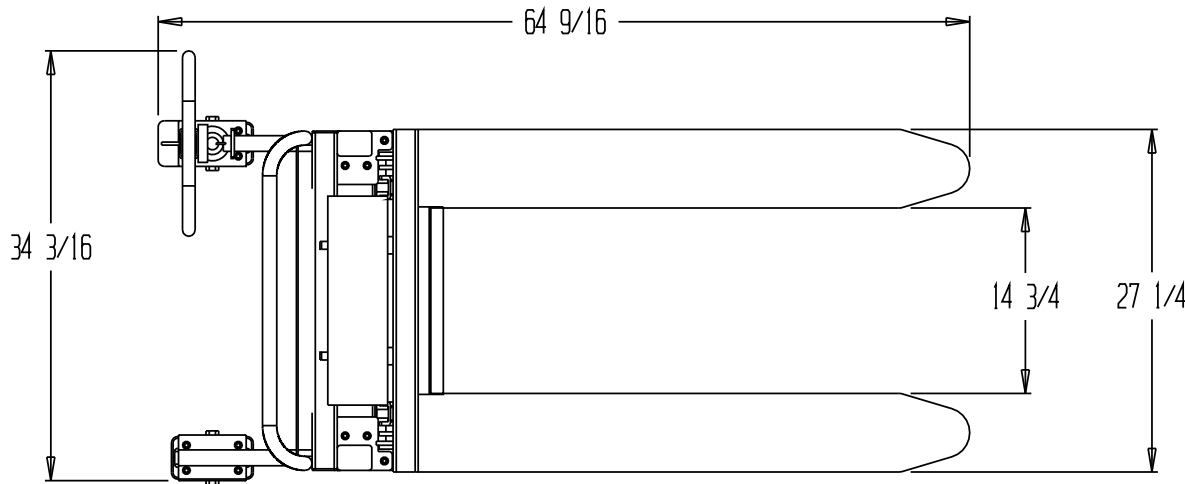


\*\* Any additions, deletions or omissions must be corrected on this drawing, as this drawing will be considered all inclusive. \*\*  
 \*\* All graphics provided are for reference only. If certain dimensions are critical please verify those dimensions with your salesperson \*\*

# HIGH LIFT PALLET JACK - BTAL-260-HD



## STANDARD FEATURES

- MODEL NUMBER: BTAL-260-HD
- CAPACITY: 2,200 LBS.
- RAISED FORK HEIGHT: 32 13/16"
- LOWERED FORK HEIGHT: 3 1/2"
- USABLE FORK LENGTH: 43 7/8"
- OVERALL FORK WIDTH: 27 1/4"
- INDIVIDUAL FORK WIDTH: 6 1/4"
- OVERALL WIDTH: 34 3/16"
- OVERALL LENGTH: 64 9/16"
- OVERALL HEIGHT: 51 7/16"
- HAND PUMP OPERATED

## SPECIAL FEATURES

NONE

A P P R O V A L	I, THE UNDERSIGNED, AGREE THAT THE PRODUCT AS REPRESENTED SATISFIES DESIGN & DIMENSION REQUIREMENTS. I ALSO ACKNOWLEDGE MY DUTY TO CONFIRM PRODUCT & INSTALLATION COMPLIANCE WITH ALL APPLICABLE FEDERAL, STATE AND LOCAL REGULATIONS & STANDARDS.	
	ALL SPECIAL UNITS ARE NON-RETURNABLE	
	[ ] As drawn	[ ] As marked
	Signed: _____ Date: _____	
LEAD TIME WILL START UPON RECEIPT OF SIGNED APPROVAL DRAWING		

BEACON INDUSTRIES, INC.		P.O.#: -
		W.O.#: -
DRAWN BY: SR	DATE: 4-1-09	SALES: -
REFERENCE:		DRWG./FILE NAME:
-	SCALE: 1:16	TAL-260-HD