

BEACON

Beacon Industries, Inc. 12300 Old Tesson Rd. St. Louis, MO 63128

Loading Dock Metal Hood

Installation Steps -

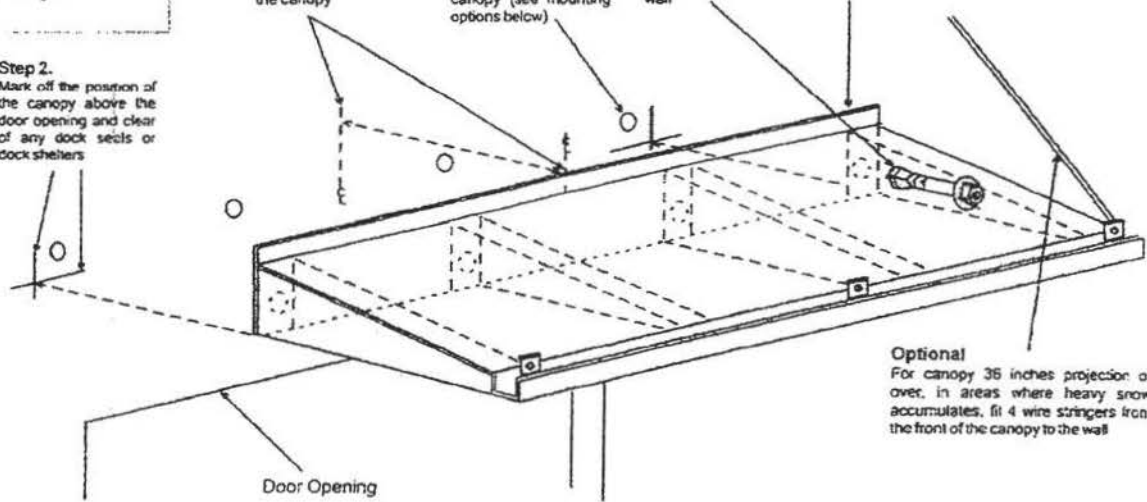
Step 2.
Mark off the position of the door opening and clear of any dock seats or dock shelters

Step 1.
Mark the center line of the door opening and the canopy

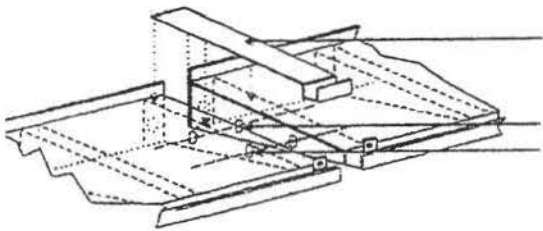
Step 3.
Drill holes in the wall to match the holes in the canopy (see mounting options below)

Step 4.
Position the canopy in place and anchor to the wall

Step 5.
Caulk across the top of the canopy

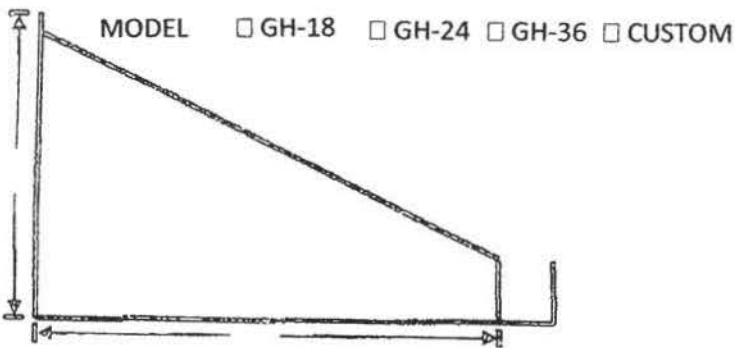


Optional
For canopy 36 inches projection or over, in areas where heavy snow accumulates, fit 4 wire stringers from the front of the canopy to the wall



Optional overlap splice plate

Wide Metal Canopies -
Over sized units may require that they be divided into two or more sections and with the requirement to be bolted together, as shown, end to end. Sealing of length of seam is required with caulking.



LENGTH 8'0" 10'0" 12'0" CUSTOM

MOUNTING OPTIONS

Approval

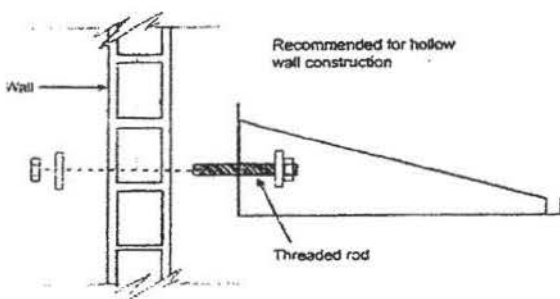
I, the undersigned, hereby approve this print
 As drawn As marked
 This includes my approval of design & dimensions.

Signed: _____

Date: _____

FINISHES Galvanized Galvannealed

Bolt Through Wall



Anchor To Wall

