

BEACON

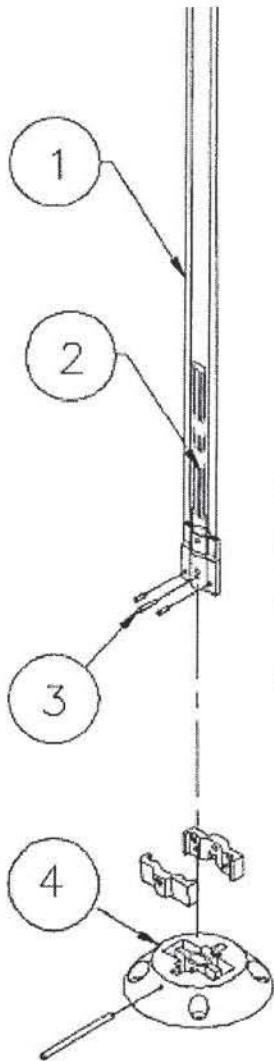
Beacon Industries Inc.

12300 Old Tesson Rd. St. Louis, MO 63128 USA

Ph: 314-487-7600 Fax: 314-487-0100

www.beacontechnology.com

BVLGT Series Delineator Post



Catalog No.	Product Description
701	FLEXSTAKE HD 19"
702	FLEXSTAKE HD 2'
702.5	FLEXSTAKE HD 30"
703	FLEXSTAKE HD 3'
704	FLEXSTAKE HD 4'

Each product comes with the following:

- ① * HD TOP, 720 SERIES (MAT'L: POLYCARBONATE UV)
- ② * INSERT (MAT'L: REPROCESSED POLYETHYLENE)
- ③ * RIVETS (2 SHORT 3/16" X .585")
(1 LONG 3/16" X 1.04")
- ④ * SURFACE MOUNT BASE ASSEMBLY

To Select Color:

- W (WHITE)
- R (RED)
- O (ORANGE)
- Y (YELLOW)
- U (BLUE)
- B (BLACK) *Black*
- S (GREY)

Illustration: An HD 4' Top with an Insert and Sleeve.



Beacon Industries Inc.

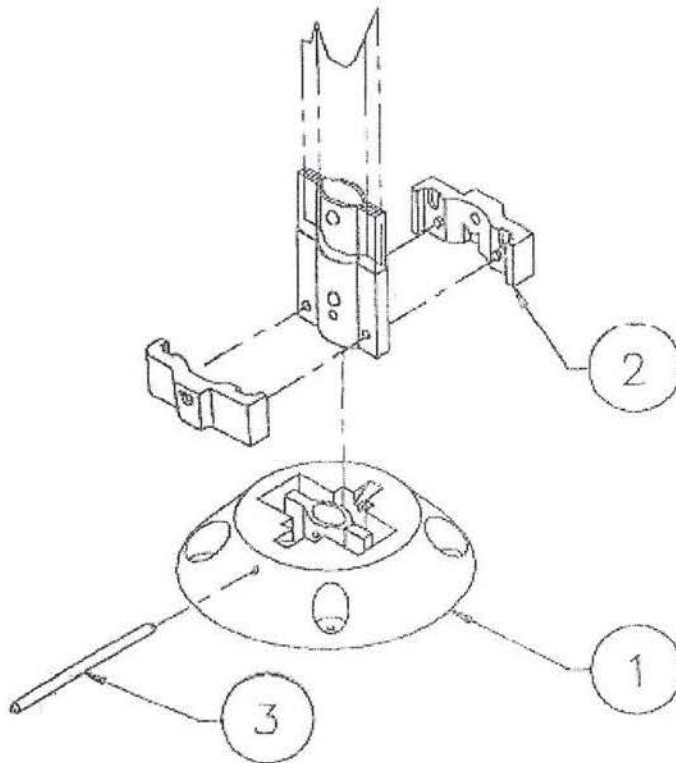
12300 Old Tesson Rd. St. Louis, MO 63128 USA

Ph: 314-487-7600 Fax: 314-487-0100

www.beacontechology.com

BVLGT Series Delineator Post Base Unit

Bolts that are used to mount it to the ground are $\frac{1}{4}$ "D x $1\frac{1}{2}$ "L



Item No.	Catalog No.	Product Description
—	796	Surface Mount Base Assembly
1		Base: 8" Diameter X 1-1/2"
2		Grips (Pair) 3-7/8" X 1-5/8"
3		Pin: 5-1/2" X 5/16"