

Ergonomic Solutions

OWNERS MANUAL

ORDER PICKING CARTS MODEL BSPS2-2041-C

Contents	
Tools Required/Kit Contents	1
Assembly	1
Parts List	2
Warranty	2

TOOLS REQUIRED

- (1) 14mm Wrench
- (1) 17 mm wrench

KIT CONTENTS

Open carton and inspect all contents. You should find the following pieces.

- A. - 1 Ladder/Upper Deck Assembly
- B. - 1 Lower Deck
- C. - 1 Hardware Box
 - 1. - 2 Swivel Casters
 - 2. - 2 Rigid Casters
 - 3. - 2 Chrome Handles
 - 4. - 1 Hardware Bag
 - 4A. - 2 M10 x 40 Bolts
 - 4B. - 2 M10 x 45 Bolts
 - 4C. - 4 M10 Flat Washers
 - 4D. - 4 M10 Hex Nuts
 - 4E. - 4 M8 x 60 Bolts
 - 4F. - 16 M8 x 16 Bolts
 - 4G. - 20 MS Lock Washers
 - 4H. - 20 M8 Flat Washers

the caster may have to be moved slightly to get all bolts started. Use 14 mm wrench to tighten bolts. Tighten all 16 bolts on casters at this time.

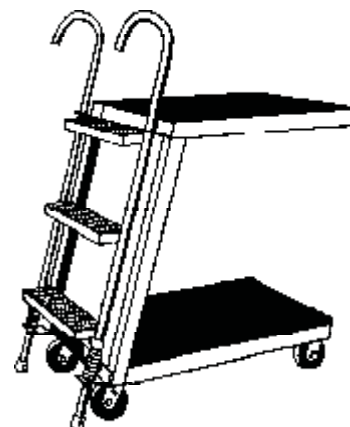
- 2.) Turn lower deck over and let it set on the wheels.
- 3.) Set ladder/upper deck assembly in position at rear of lower deck. Install 2 M10 x 40 bolts in the front bracket holes and 2 M10 x 45 bolts in the rear bracket holes and 2 M10 x 45 bolts in the rear bracket holes. Install 4 M10 nuts and using 17mm wrenches tighten all 4 bolts.
- 4.) Flip top deck into position and locate chrome handles and 4 M8 x 60 bolts. Install handles as desired. Since handles are bi-directional there is no wrong way to install handles. Mount both handles the same way and tighten handle mounting bolts.
- 5.) Locate and tighten the pivot bolts under the chrome handles.
- 6.) Inspect to assure that all bolts are tightened

ASSEMBLY

For proper performance and safety, follow the step by step installation procedure.

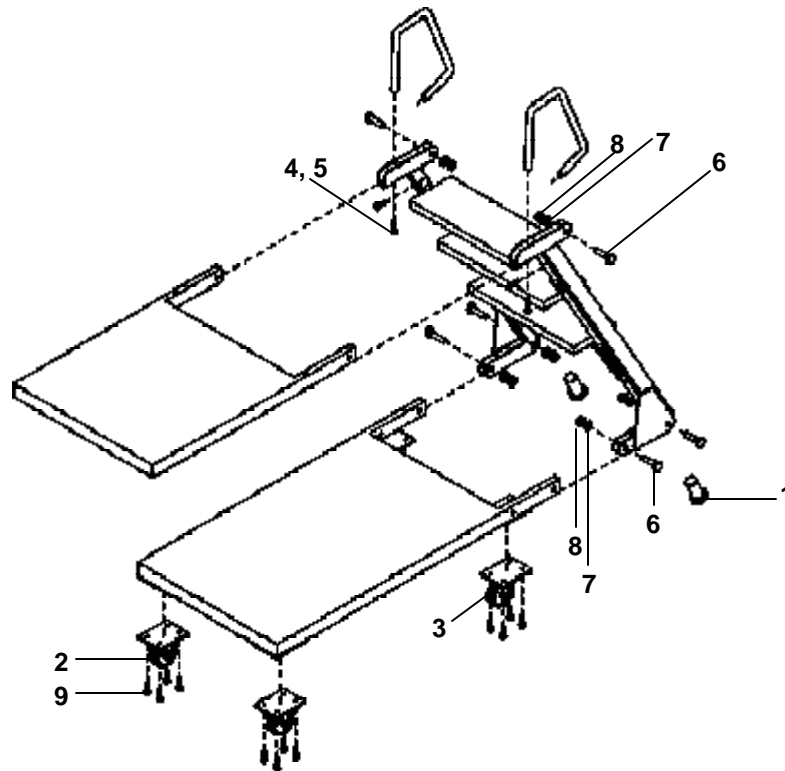
***NOTE* The total capacity is 440 lbs. Top Shelf Capacity is 110 lbs. Bottom Shelf Capacity is 330 lbs.**

- 1.) Install casters on lower deck using M8 x 16 bolts, M8 lock washers, and M8 flat washers a mounting hardware. Only use lock washers on the rigid casters. On the swivel casters the head of the bolt will interfere with the swivel action of the casters if lock washers are used here. Place rigid casters on front of cart and swivels on rear by ladder. Start all 4 caster bolts before tightening, as



**ORDER PICKING CARTS
MODEL BSPS2-2041-C**

PARTS IDENTIFICATION ORDER PICKING CARTS • MODEL BSPS2-2041-C



n/a - Not Available

ITEM NO.	DESCRIPTION	ENGINEER NO.	PART NO.	QTY
1	Ladder Rubber Stop	B32-037-001	BSPSC-LT	2
2	Rigid Caster	B16-132-814	BSPSC-RC	2
3	Swivel Caster	B16-132-815	BSPSC-SC	2
4	Bolt for Chrome Handle	n/a	BSPSC-CHB	n/a
5	Washer for Chrome Handle (not shown)	n/a	BSPSC-WSR	n/a
6	Bolt for Frame	n/a	BSPSC-FB	n/a
7	Nut for Frame	n/a	BSPSC-NUT	n/a
8	Lock Washer for Frame	n/a	BSPSC-LW	n/a
9	Bolts for Mounting Caster	n/a	BSPSC-CSTBT	n/a
10	Caster Kit with Hardware	B32-154-001	BSPSC-KITA	1
11	Hardware Kit	B32-154-002	BSPSC-KITB	1

LIMITED WARRANTY

ONE YEAR LIMITED WARRANTY. The manufacturer warrants for the original purchaser against defects in materials and workmanship under normal use one year after date of purchase. (Not to exceed 15 months after date of manufacture.) Any part which is determined by the manufacturer to be defective in material or workmanship and returned to the factory, shipping costs prepaid, will be, as the exclusive remedy, repaired or replaced at our option. Labor costs for warranty repairs and/or modifications are not covered unless done at manufacturer's facilities. Any modifications performed without written approval of the manufacturer may void warranty. This limited warranty gives purchaser specific legal rights which vary from state to state.

LIMITATION OF LIABILITY. To the extent allowable under applicable law, the manufacturer's liability for consequential and incidental damages is expressly disclaimed.

The manufacturer's liability in any event is limited to, and shall not exceed, the purchase price paid. Misuse or modification may void warranty.

WARRANTY DISCLAIMER. Our company has made a diligent effort to illustrate and describe the products shown accurately; however, such illustrations and descriptions are for the sole purpose of identification, and do not express or imply a warranty that the products are merchantable, or fit for a particular purpose, or that the products will necessarily conform to the illustrations or descriptions.

The provisions of the warranty shall be construed and enforced in accordance with the UNIFORM COMMERCIAL CODE and laws as enacted in the State of Indiana.

DISPOSITION. Our company will make a good faith effort for prompt correction or other adjustment with respect to any product which proves to be defective within the Limited Warranty. Warranty claims must be made in writing within said year.