

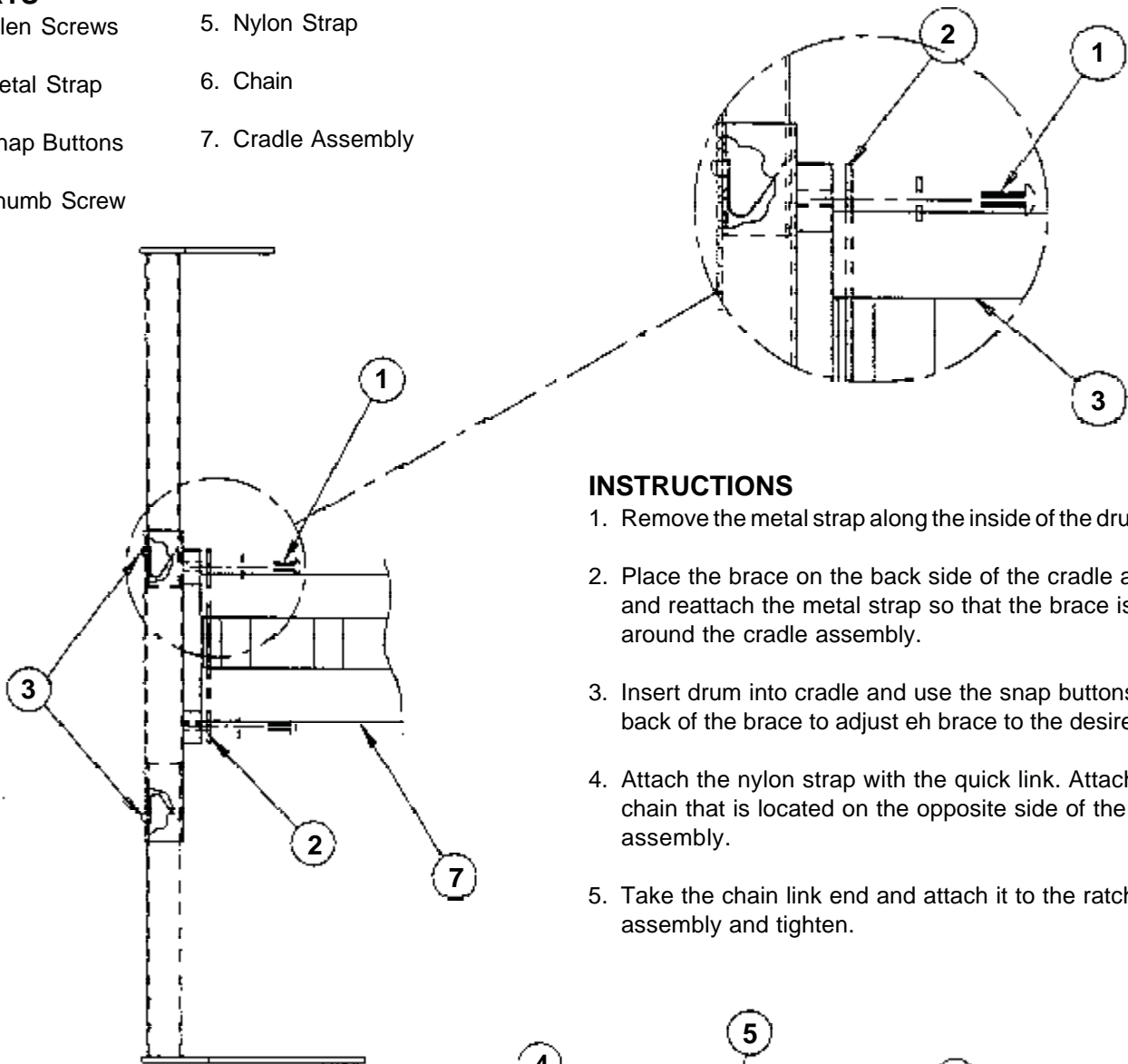
Drum Handling Equipment

OWNER'S MANUAL

FIBER DRUM ADAPTOR • MODEL BFDA-800

PARTS

- | | |
|-----------------|--------------------|
| 1. Allen Screws | 5. Nylon Strap |
| 2. Metal Strap | 6. Chain |
| 3. Snap Buttons | 7. Cradle Assembly |
| 4. Thumb Screw | |



INSTRUCTIONS

1. Remove the metal strap along the inside of the drum brace.
2. Place the brace on the back side of the cradle assembly and reattach the metal strap so that the brace is locked around the cradle assembly.
3. Insert drum into cradle and use the snap buttons on the back of the brace to adjust the brace to the desired height.
4. Attach the nylon strap with the quick link. Attach it to the chain that is located on the opposite side of the ratchet assembly.
5. Take the chain link end and attach it to the ratchet assembly and tighten.

