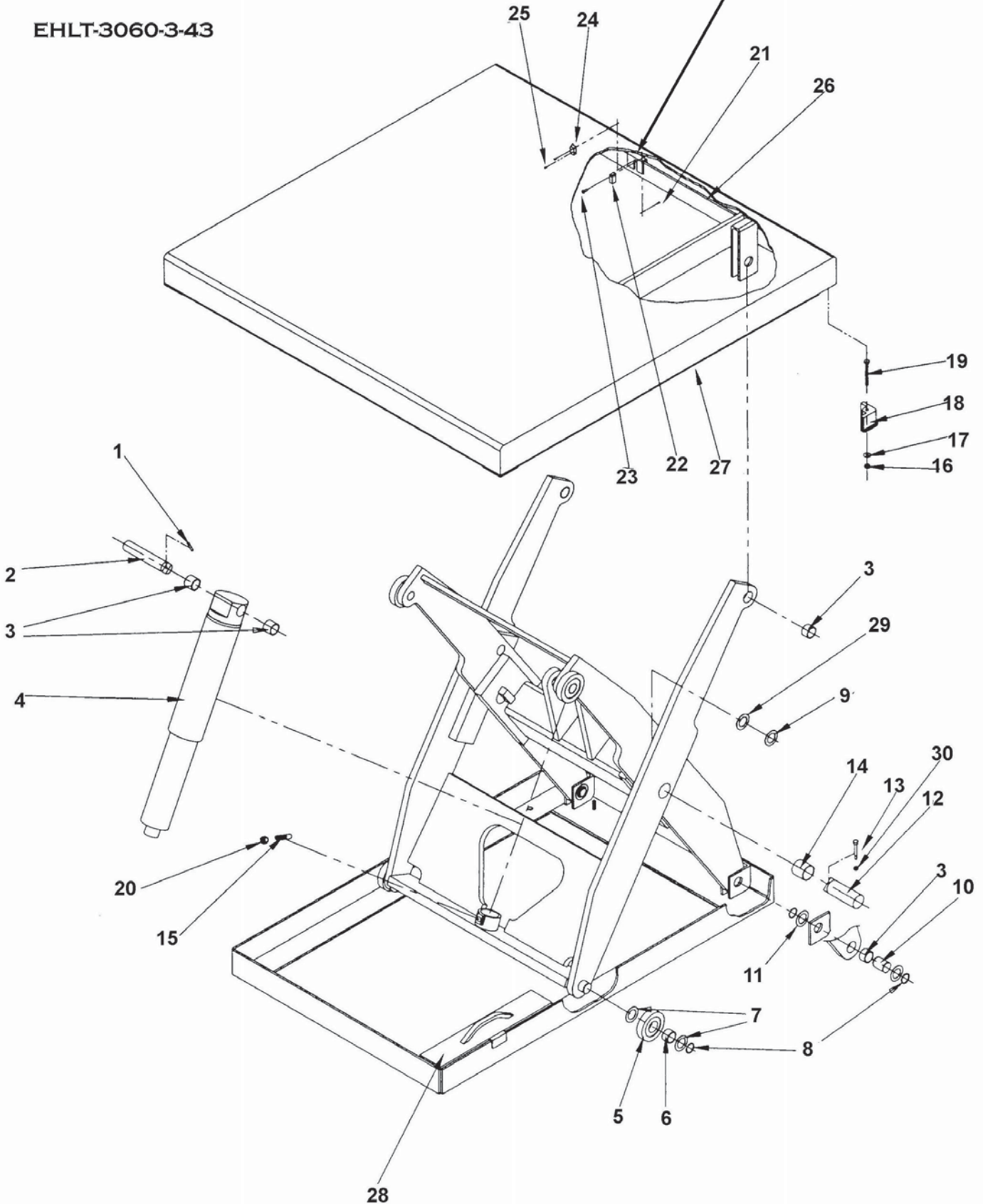
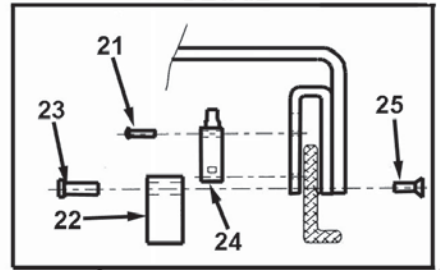


Lift Table BEHLT Series

EHLT-3060-3-43

TOE GUARD LIMIT SWITCH DETAIL



GENERIC NUMBER	ENGINEERING #	Component Description	Reference Number
ST-RLRPIN	64251	Roll Pin 3/16x1-1/8	1
ST-CYLPIN	24-112-002	Cylinder Pivot Pin	2
ST-CYLBRG	01-111-002	Bearing Sleeve 1-1/8x3/4	3
ST-CYL	99-021-901	Hydraulic Cylinder 3x10	4
ST-RLR	01-027-001	Roller 3-1/4x3/4	5
ST-RLRBRG	01-111-001	Bearing Sleeve 1-1/8x5/8	6
ST-TRBRG1	01-115-001	Washer, Thrust Bearing 1-1/8x.06	7
ST-SR	68021	Snap Ring 1-1/8 External	8
ST-TRBRG2	33458	Washer, Thrust Bearing 1-1/2x.06	9
ST-PH	01-112-004	Hinge Pin 1-1/8	10
ST-MBSI	33454	Machinery Bushing Shim 1-1/8x.06	11
ST-SPPIN	01-112-019	Scissors Pivot Pin 1-1/2	12
ST-SHBLT	26333	Shoulder Bolt 3/8x1-1/2	13
ST-SPBRG	01-111-003	Bearing Sleeve 1-1/2x1-1/2	14
ST-CYLBLT	25670	Cylinder Retainer Bolt	15
ST-HXNUT1	37018	Nyloc Nut 1/4-20	16
ST-WSR	33004	Washer Flat 1/4	17
ST-TGC	01-015-009	Toe Guard Corner	18
ST-TGBLT	11013	Screw 1/4-20x2-1/2	19
ST-CYLBLTNUT	36209	Jam nut 1/2-13	20
ST-LSSI	24189	Screw #8-32x1/2 Flat HD Socket Cap	21
ST-TGAC	01-015-008	Toe Guard Actuator	22
ST-TGHW	01-145-010	Toeguard Specialty Hardware	23
ST-TGLS	01-022-022	Switch, Electrical Limit N.C.	24
ST-LSS2	24008	Screw #4-40x1/2 Button Head Socket Cap	25
ST-TGE	ST-TGE	Toe Guard End -30	26

ST-TGS	ST-TGS	Toe Guard Side -60	27
ST-MP	01-037-003	Maintenance Prop	28
ST-MBS2	33476	Machinery Bushing Shim 1-1/2x.06	29
ST-HXNUT2	37021	Nyloc Nut 5/16	30
ST-LS-KIT	ST-LS-KIT	Limit Switch Kit (Inc. switch, actuator, & hardware)	
PU-CO	63160-24	Coil Only	
PU-CT	01-129-001	Control Transformer	
PU-CVA	01-154-020	Check Valve Assembly	
PU-CVC	SV08-20S-0-N-24AC	Cartridge Valve With Coil	
PU-CVO	SV08-20S-0-N	Cartridge Valve Only	
PU-JB	AB664JS	Junction Box	
PU-LS	MJI-6114	Up Travel Limit Switch	
PU-MAN	99-127-901	Manifold Block	
PU-MANASY	99-127-001	Manifold Assembly	
PU-MC	E9.10-24K	Motor Contactor	
PU-MO-1A	01-135-032	Single Phase Motor Low Speed	
PU-MO-1B	01-135-043	Single Phase Motor High Speed	
PU-MO-3A	01-135-029	Three Phase Motor Low Speed	
PU-MO-3B	01-135-030	Three Phase Motor High Speed	
PU-MPA-1A	PU-MPA-1A	Motor-Pump Combo 1 Phase Low Speed	
PU-MPA-1B	PU-MPA-1B	Motor-Pump Combo 1 Phase High Speed	
PU-MPA-3A	PU-MPA-3A	Motor-Pump Combo 3 Phase Low Speed	
PU-MPA-3B	PU-MPA-3B	Motor-Pump Combo 3 Phase High Speed	
PU-PNC	01-522-016	Pendent Control With Cord & Plug	
PU-PNO	UCB-2-2	Pendent Control Only	
PU-PO-5	01-143-905	Pump Only .6 Disp	
PU-PO-6	01-143-906	Pump Only .73 Disp	
PU-PO-7	01-143-907	Pump Only .122 Disp	
PU-PO-8	01-143-908	Pump Only .153 Disp	

PU-PRA	01-154-019	Pressure Relief Assembly	
PU-RES-EHLT	PU-RES-EHLT	Hydraulic Oil Reservoir	