

Beacon Loading Dock Door Seal

Installation

Instructions



Beacon Industries, Inc.

12300 Old Tesson Rd.

St. Louis, MO 63128 USA

Ph: 314-487-7600 Fax: 314-487-0100

FIXED HEAD
CURTAIN DOR-SEAL 101SERIES
INSTALLATION INSTRUCTIONS.

HARDWARE

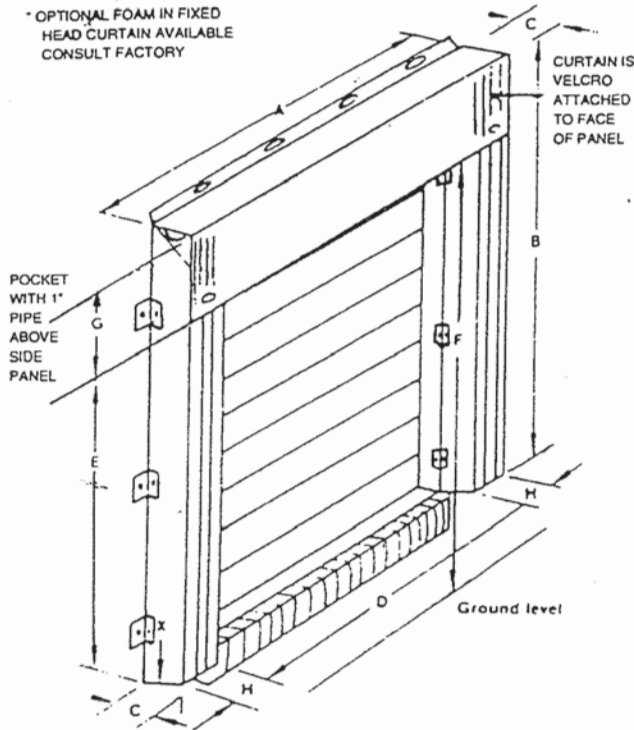
YOUR DOR-SEAL WAS
PURCHASED WITH THE INTENT
TO BE MOUNTED EITHER
FLUSH WITH, OR OFFSET FROM
THE DOOR JAMB.

IF IT WAS PURCHASED TO BE
FLUSH WITH THE DOOR JAMB
EACH UNIT WILL INCLUDE THE
FOLLOWING:

8-90° ANGLE BRACKETS
8-FLAT BRACKETS
32-5/16"X1-1/2" SCREWS

IF IT WAS PURCHASED TO BE
OFFSET FROM THE DOOR JAMB
EACH UNIT WILL INCLUDE THE
FOLLOWING:

16-90° ANGLE BRACKETS
32-5/16"X1-1/2" SCREWS



1)ATTACH FOUR 90° BRACKETS ON THE OUTSIDE OF EACH VERTICAL PAD. BE SURE TO FIRMLY ATTACH THE BRACKETS TO THE LUMBER BACKING, USING TWO (2) SCREWS PER BRACKET.

2)ANCHOR VERTICAL PADS ON BUILDING FACE, SO THAT THE OPENING BETWEEN THE PADS IS DESIRED WIDTH.

3)ATTACH FOUR (4) FLAT BRACKETS (IF FLUSH MOUNTED) OR FOUR (4) 90° BRACKETS (IF OFFSET MOUNTED) TO THE INSIDE OF EACH VERTICAL PAD, USING TWO (2) SCREWS PER BRACKET.

4)ANCHOR INSIDE OF VERTICAL PADS TO DOOR JAMB OR BUILDING FACE, DEPENDING ON WHETHER YOU NEED FLUSH

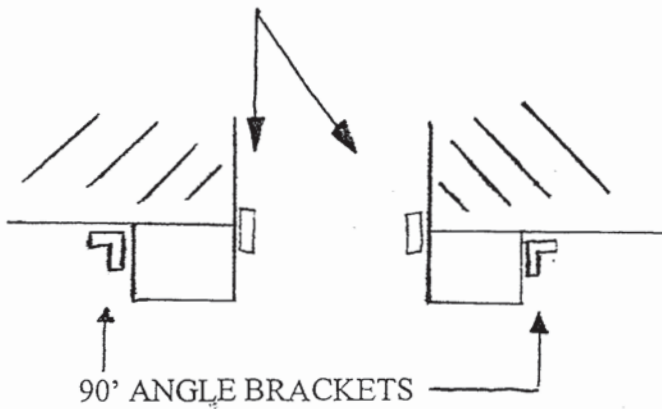
MOUNT OR OFFSET MOUNTING.

5) ANCHOR TREATED 2"X4" LUMBER TO BUILDING FACE,
DIRECTLY ABOVE THE TOP OF THE VERTICAL PADS.

6) DRAPE CURTAIN DOWN OVER FRONT OF VERTICAL PADS.

FLUSH-MOUNTED

FLAT BRACKETS



OFFSET-MOUNTED

90° ANGLE BRACKETS

