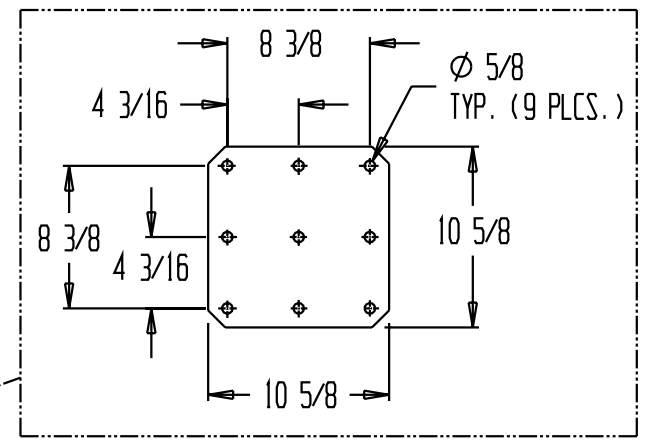


CAPACITY	1000 LBS.	500 LBS.
REACH	32-3/4"	49-1/4"
MAX. HEIGHT	90-1/2"	105"
MIN. HEIGHT	13"	0"

WIRE DIAMETER: 1/4"
 (A) SQUARE BASE PLATE : 10-5/8"X10-5/8"
 (B) BASE HEIGHT : 12-1/2"
 (C) BOLT HOLE DIAMETER : 5/8"
 CRANE SWIVELS 360° ON BASE
 WEIGHT: 125 LBS.



BEACON INDUSTRIES

BWTJ - 2 (WINCH OPERATED TRUCK JIB CRANE)

DRAWN BY: T. MAHMOOD	SCALE: 1:13	CHK'D:
MATERIAL:	DATE: 11-06-03	DRAWING NO: TM-11-006-001
APP'D:		REV: