

# BDJG-100 Series

## Dock Barricade

### PREVENT ACCIDENTAL RUN-OFF

#### ARCHITECTURAL SPECIFICATIONS

##### GENERAL

This Electric Hydraulic Dock Barricade represents the next generation of innovative Loading Dock Safety Systems. Unit is simple to operate, push the up button or down button to perform the operation that is desired. Ergonomic Electric lift design provides quick and effortless operation. Robust 1hp motor, prewired for 115volt, and 24volt control are just a few of the fine quality attributes. Installation is virtually effortless, simply lag the unit to the floor and plug it in.

##### Beacon Industries, Inc.

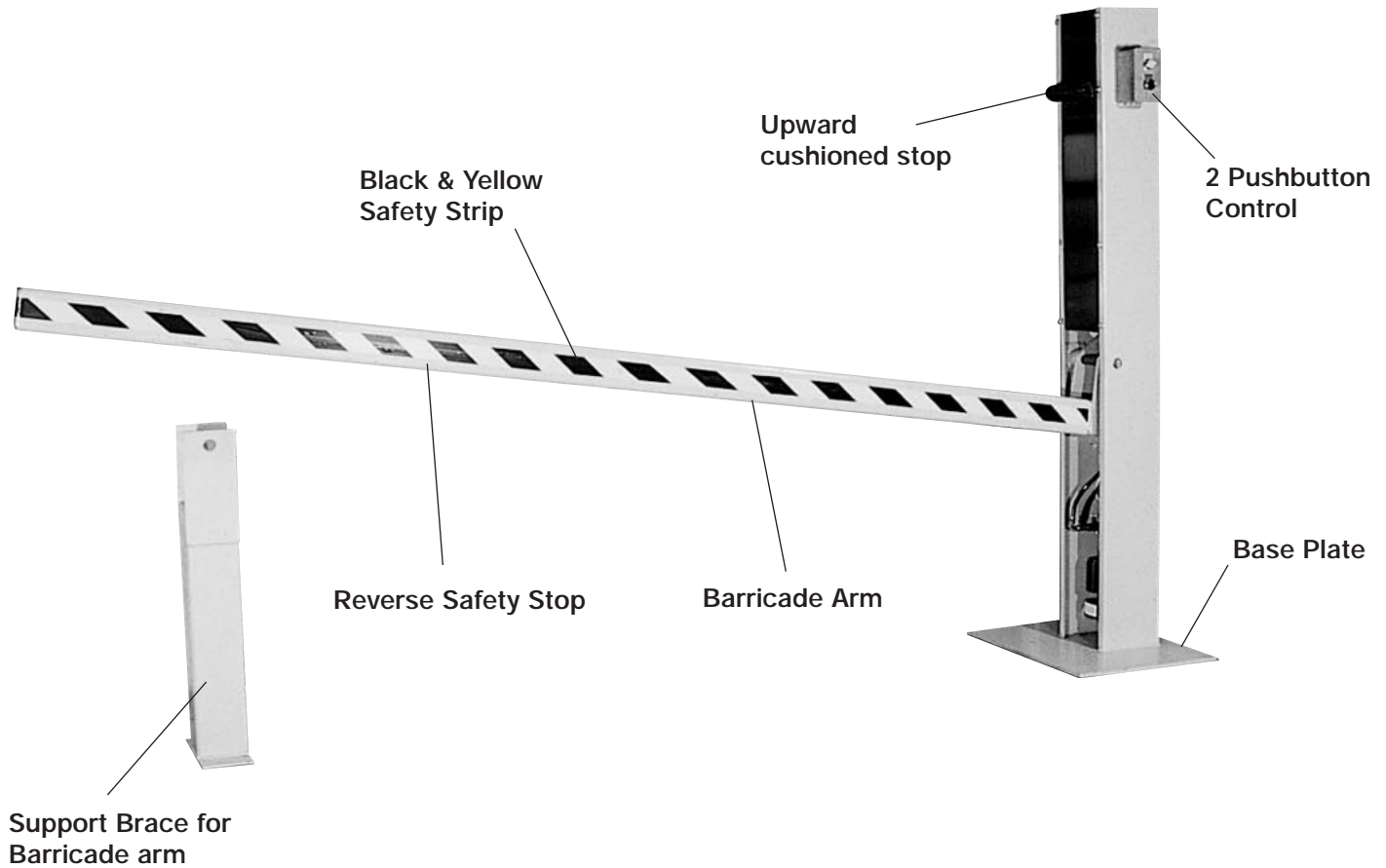
12300 Old Tesson Rd.

St. Louis, MO 63128-2247 USA

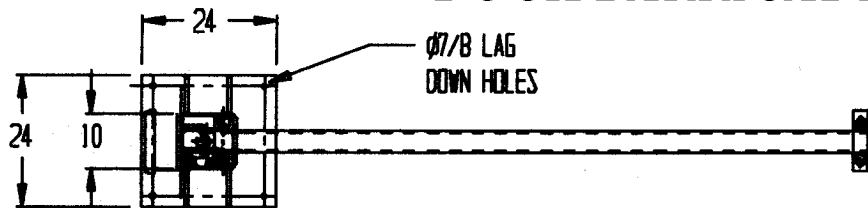
Phone: (314) 487-7600 Fax: (314) 487-0100

[www.beacontechnology.com](http://www.beacontechnology.com)

E-Mail: [sales@beacontechnology.com](mailto:sales@beacontechnology.com)

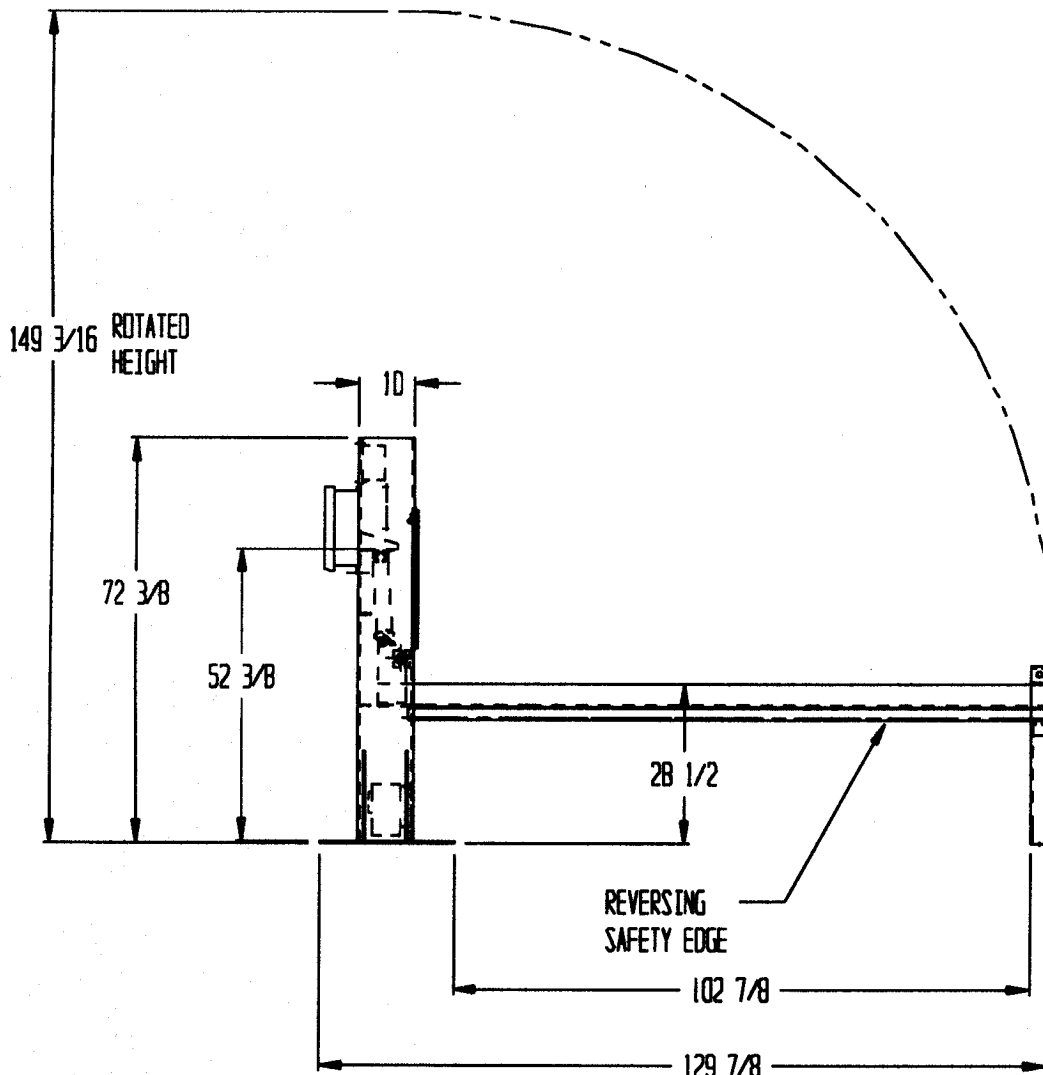


# DOCK BARRICADE BDJG-100



**SPECIAL FEATURES**

NONE



PRODUCTION WILL START UPON  
RECEIPT OF SIGNED APPROVAL  
DRAWING

## STANDARD FEATURES

MODEL NUMBER: BDJG-100  
 POWER ELECTRIC/HYDRAULIC  
 OVERALL LG: 129 7/8"  
 OVERALL HT: 72 3/8"  
 OVERALL ROTATED HT: 149 3/16"  
 BASE PLATE SIZE: 24" x 24"  
 STANDARD REVERSING SAFETY EDGE  
 UNIT BARRICADES A STD 8' x 8' DOOR

\*\*SPECIAL UNITS ARE NON-RETURNABLE  
 \*AVAILABLE AT ADDITIONAL COSTS

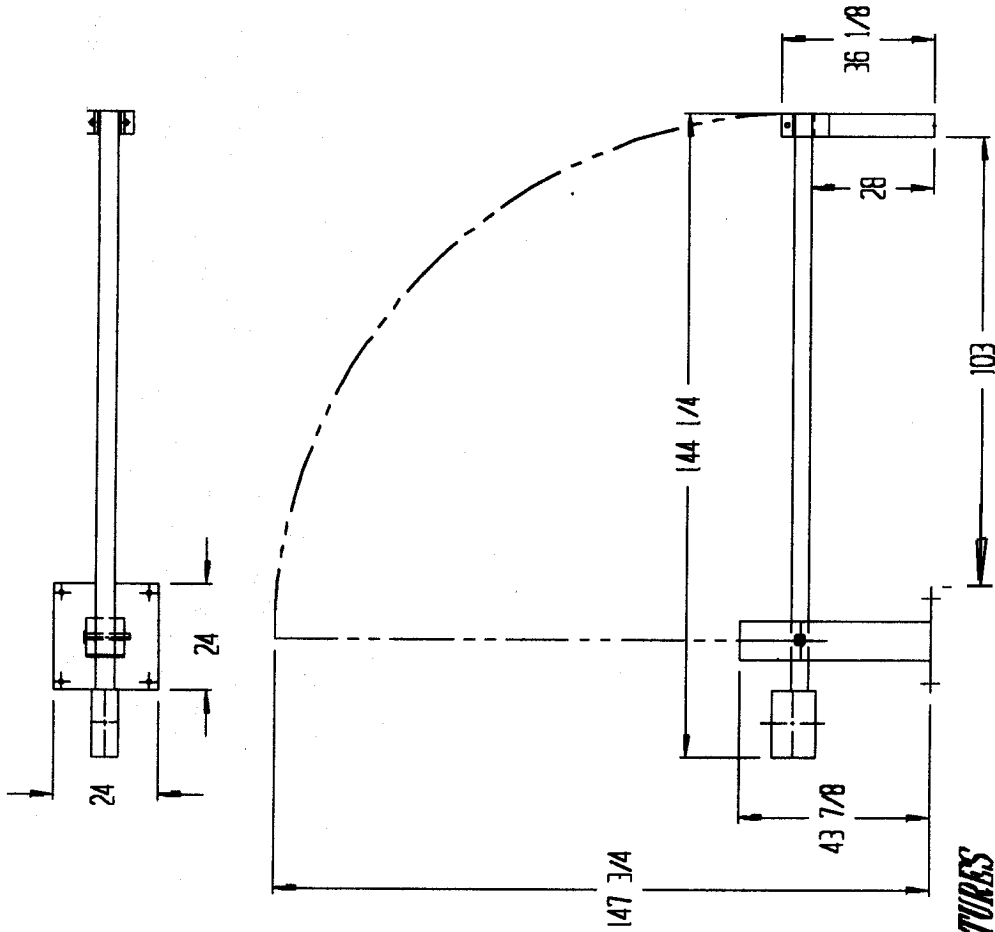
## APPROVAL

I, the undersigned, hereby approve this print  
 As drawn     As marked  
 This includes my approval of design & dimensions.  
 Signed: \_\_\_\_\_  
 Date: \_\_\_\_\_

DRAWN BY: S ROSE		DATE: 8-20-02	P.O.#: -
REFERENCE:			M.O.#: -
			SALES: -
			Scale: 1:32

# DOCK BARRICADE BDJG-100M

## SPECIAL FEATURES



## STANDARD FEATURES

DOCK BARRICADE MODEL BDJG-100M

WIDTH IS 24 INCHES

LENGTH IS 146 3/4 INCHES

HEIGHT IS 150 1/4 INCHES (ARM ROTATION AT 90°)

MANUAL CONTROL

ALL STEEL CONSTRUCTION (ASTM A-36 MINIMUM) WITH WELDING TO MEET AWS.

WARNING: CHECK APPLICABLE STATE AND LOCAL CODES FOR YOUR AREA

\*\*SPECIAL UNITS ARE NON-RETURNABLE  
\*AVAILABLE AT ADDITIONAL COSTS

PRODUCTION WILL START UPON  
RECEIPT OF SIGNED APPROVAL  
DRAWING

## APPROVAL

I, the undersigned, hereby approve this print  
[ ] As drawn [ ] As marked  
This includes my approval of design & dimensions.

Signed: \_\_\_\_\_

Date: \_\_\_\_\_

P.O.#:

N.O.#:

SALES:

DRAWN BY:

DATE:

REFERENCE: