

Fork Mounted & Pallet Jack Loadable

CYLINDER CADDIES

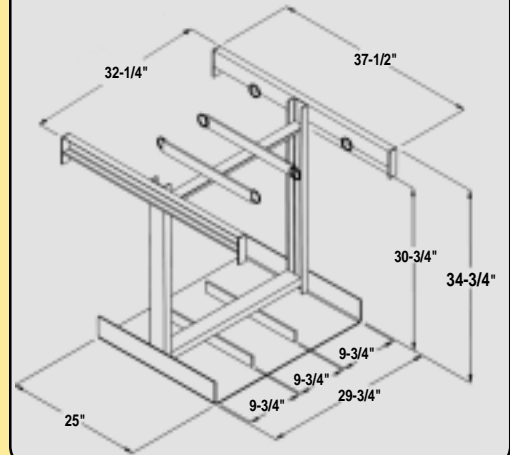


MODEL
BCYL-190

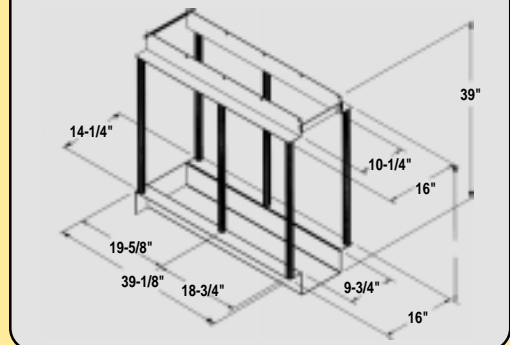
Transport cylinders safely with these fork mounted or pallet jack style cylinder caddies. These units can hold anywhere from 2 to 6 cylinders and come complete with safety chains to secure cylinders in place. Made of all steel construction, these units hold cylinders up to 9-1/2" in diameter.

MODEL NUMBER	DESCRIPTION	NUMBER OF CYLINDERS
BCYL-190	FORK TRUCK MOUNTED CYLINDER HOLDER	6
BPJ-CYL-2	PALLET TRUCK CADDIE HOLDER	2
BPJ-CYL-4	PALLET TRUCK CADDIE HOLDER	4
BTANK-W	TANK WRENCH	--
BCYL-CSTR	CASTERS OPTION FOR THE CYL-190	--

Model BCYL-190



Model BPJ-CYL-4



SINGLE CYLINDER CONTAINMENT PRODUCTS

Keep cylinders safe with Single Cylinder Containment Products. Available in adjustable, bench mounted, wall mounted and dolly/stand holders. Holds cylinders up to 9-1/2" in diameter. The Cylinder Dolly/Stand includes two 3" wheels for easy portability. The Wall Mounted Holders include a chain and nylon strap to secure the cylinder for added safety.



Wall Mounted
Model BCYL-WM



The Cylinder Dolly/Stand has two interlocking halves which can be installed without lifting the cylinder.
Model BCYL-DS

MODEL NUMBER	DESCRIPTION
BCYL-WM	WALL MOUNTED CYLINDER HOLDER
BCYL-DS	CYLINDER DOLLY/STAND
BCYL-AS	ADJUSTABLE CYLINDER STAND (7" TO 9-1/4")
BCYL-BM	BENCH MOUNTED CYLINDER HOLDER



Adjustable Cylinder Stand
Model BCYL-AS

GALVANIZED CYLINDER STORAGE CABINETS

HORIZONTAL

VERTICAL

COMBINATION

Series

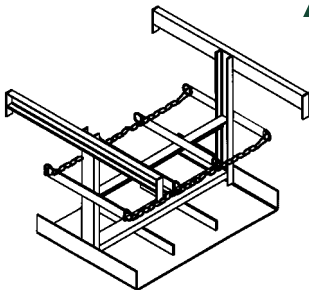
BCYL-T

Store cylinders of all sizes in these heavy duty Cylinder Storage Cabinets. Made of all steel construction, this rust resistant unit has steel angle frames, 8 gauge galvanized welded wire and a 12 gauge galvanized steel roof. The galvanized rust resistant finish stands up to harsh indoor and outdoor environments. Units can hold 4, 8, or 16 units horizontally / 10 or 20 units vertically. Features a padlock hasp for security (padlock not included), "Danger Flammable Material" sign, and all necessary anchoring hardware. Meets OSHA 1910.110 requirements. Assembly required.



	MODEL NUMBER	STORAGE CAPACITY	SIZE W x D x H	WEIGHT (pounds)
HORIZONTAL	BCYL-T-4	4 Horizontal	29" x 29" x 40"	66
	BCYL-T-8	8 Horizontal	29" x 29" x 66"	130
	BCYL-T-16	16 Horizontal	58" x 29" x 66"	240
VERTICAL	BCYL-T-10	10 Vertical	29" x 29" x 66"	100
	BCYL-T-20	20 Vertical	58" x 29" x 66"	180
COMBINATION	BCYL-T-COMBO	8 Horizontal 9 Vertical	58" x 29" x 66"	210

FORK TRUCK LP TANK STORAGE



Model **BLP-170**

- Made of all steel construction
- Holds up to 6 LP tanks that are up to 12" in diameter
- Safety chains to hold the tanks in place
- Caster Option Available

MODEL NUMBER	STORAGE CAPACITY	SIZE W x L x H	ACCOMMODATES LP TANKS
BLP-170	6 VERTICAL	27"W x 31"L x 29"H	12"D x 24"H

Beacon Industries, Inc.

12300 Old Tesson Rd.

St. Louis, MO 63128-2247 USA

Phone: (314) 487-7600 Fax: (314) 487-0100

www.beacontechology.com

E-Mail: sales@beacontechology.com