

ALUMINUM RATCHET CARGO BAR



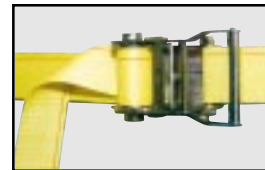
Mode BCB-7-R

This easy to operate one piece ratchet cargo bar, has articulating foot pads to provide positive grip. The model **BCB-7-R** has a service range of 90" to 105". Patent Pending.

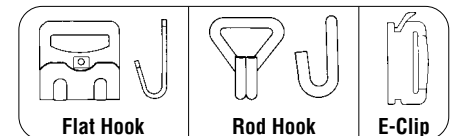


CARGO STRAPPING

Guard against damage from slippage and shifting during transport with the heavy duty Cargo Strapping. Strapping is made of polyester webbing and has working loads to 3,335 lbs. and breaking strengths to 10,000 lbs. Several styles, lengths and fasteners available.



MODEL NUMBER	WEB STRAP	WORKING LOAD (LBS.)	WORKING LENGTH	TIGHTENING MECHANISM	FASTENER
BSTRAP-12-E	1-3/4"	800	12-1/2'	Self Retracting	E-CLIP
BSTRAP-12-RE	2"	1,000	12'	Ratchet	E-CLIP
BSTRAP-12-CE	2"	835	12'	Cam	E-CLIP
BSTRAP-27-RH	2"	3,335	27'	Ratchet	ROD HOOK
BSTRAP-27-FH	2"	3,335	27'	Ratchet	FLAT HOOK



STEEL

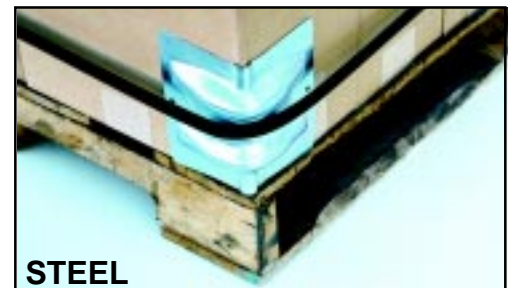
NYLON

PLASTIC

EDGE PROTECTORS

Stabilize loads during shipping and prevent damaged caused by strap cutting with Edge Protectors. Available in steel, nylon, and plastic. These units work well with steel or plastic strapping.

MODEL NUMBER	CONSTRUCTION	WIDTH (2 SIDED)	HEIGHT
BEDGE-P	PLASTIC	4"	5-1/4"
BEDGE-N	NYLON	4"	5-1/4"
BEDGE-S	STEEL	4-1/2"	6"



STEEL



PLASTIC

PALLET PULLER

Mode BPAL-2



PLACE AROUND THE FIRST TWO-WAY STRINGER



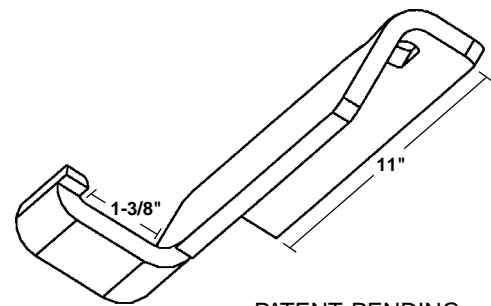
ATTACH PROOF COIL CHAIN (MODEL BPPC-20 or BPPC-40)



PULL LOADS UP TO 4,000 LBS. OUT OF TRAILERS

The **BPAL-2** is a simple, strong, light weight tool for hooking hard to reach 2-way stringer pallets. Simply slide the Pallet Puller under the upper deck board and place around the first two-way stringer. Pull back on the Pallet Puller to lock in place with positive grip. Attach the puller to the fork truck with a proof coil chain (model **BPPC-20** or **BPPC-40**)

The **BPAL-2** is rated to pull a 4,000 lb. wooden pallet across a smooth truck floor. Do not use for lifting.



PATENT PENDING

2-1/4" LOW PROFILE DESIGN

PALLET CARGO DECKING

Mode BPCD-92

WOOD DECK



DOUBLE TRAILER
CAPACITY AVAILABLE

Protect fragile freight with Pallet Cargo Decking. The Single Bunk, model **BPCD-92** measures 92" wide x 57" high x 48" deep. Double Tiers with and without solid sides/back are available. Uniform load capacity is 5,000 lbs.

Beacon Industries, Inc.

12300 Old Tesson Rd.
St. Louis, MO 63128-2247 USA
Phone: (314) 487-7600 Fax: (314) 487-0100

www.beacontechology.com

E-Mail: sales@beacontechology.com