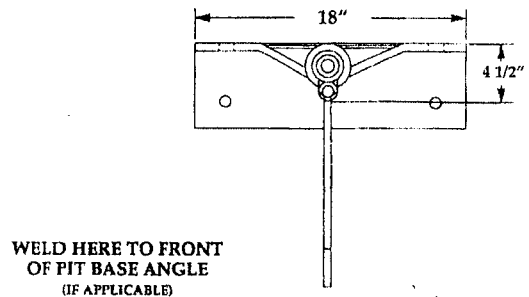
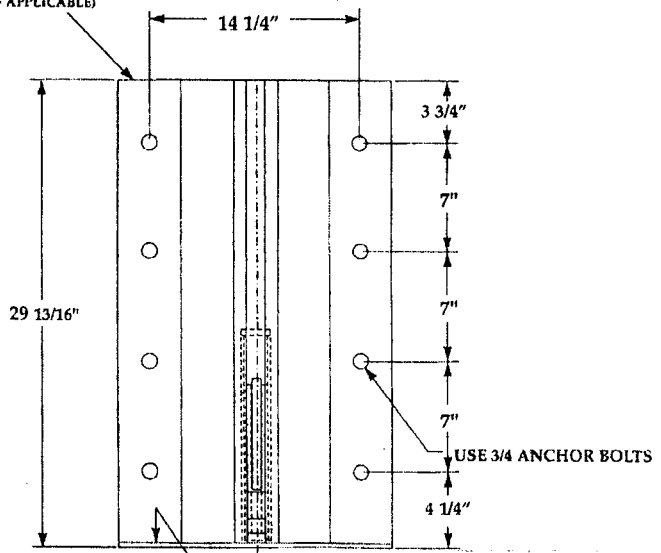


"BMVR" Series Mechanical Truck Restraint Detail

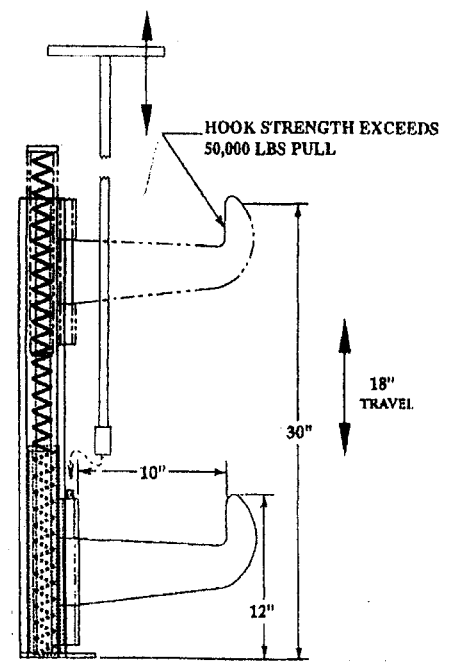


WELD HERE TO FRONT OF PIT BASE ANGLE (IF APPLICABLE)

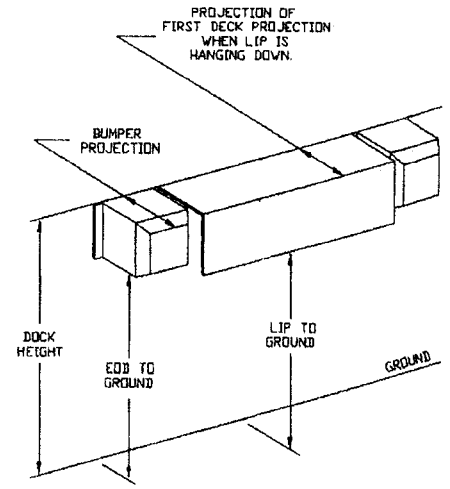


USE 3/4 ANCHOR BOLTS

STAKES CAN ALSO BE USED



18" TRAVEL



MEASUREMENTS

TRUCK RESTRAINT EXTENSION KIT

Approval

I, the undersigned, hereby approve this print
 As drawn As marked
 This includes my approval of design & dimensions.

Signed: _____
 Date: _____

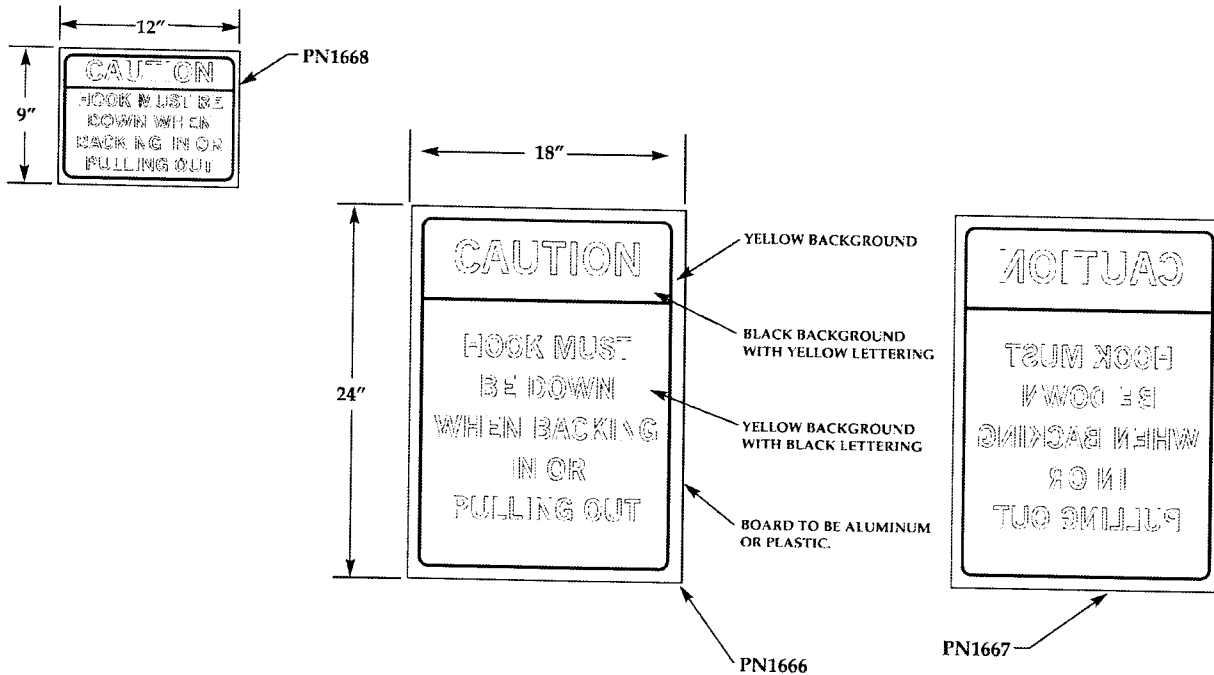
BEACON INDUSTRIES, INC.
 12300 Old Tesson Road
 St. Louis, MO 63128-2247
 Ph: 314-487-7600 - Fax:
 314-487-0100
www.beacontechology.com

NOTES

JOB

"BMVR" Series Mechanical Truck Restraint Submittal Drawing

06/06

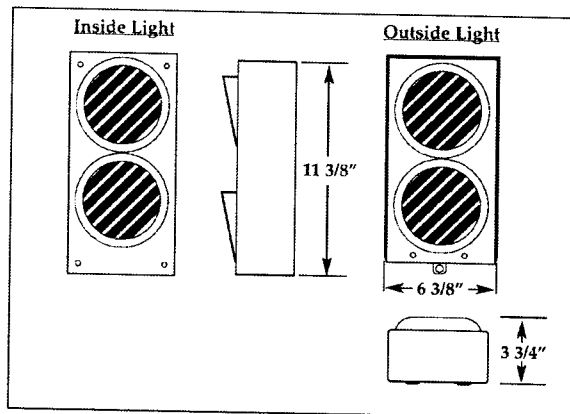


STANDARD FEATURES

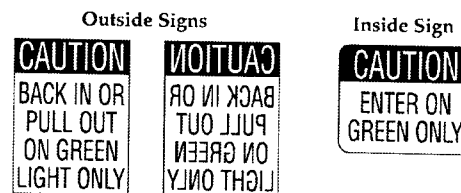
- Semi-automatic unit provides in excess of 50,000 lbs. restraining force.
- Wide 12"-30" operating range
- Captures and holds all legal ICC bars
- Non-impact operation — designed to meet 1998 ICC regulations
- Positive contact hook automatically floats up or down with trailer
- Exclusive pivoting hook allows for debris or snow removal within 4" of dock face.
- Bolt hole pattern designed for optimal holding force.
- Low maintenance
- Complete inside/outside sign package included
- Approximately one (1) hour installation time (not including electrical wiring)

OPTIONAL FEATURES

- Highly visible inside/outside manually operated light system with safety signs
- Automatic light system with safety signs
- Steel mounting plate for new construction
- Steel blockouts for bumper projections greater than 4" including edge-of-dock levelers
- Template for pre-mounting attachment bolts



OPTIONAL DRIVER WARNING SIGNS FOR TRAFFIC DOCK LIGHT PACKAGE



BEACON INDUSTRIES, INC.
 12300 Old Tesson Road
 St. Louis, MO 63128-2247
 Ph: 314-487-7600 - Fax: 314-487-0100
www.beacontechnology.com