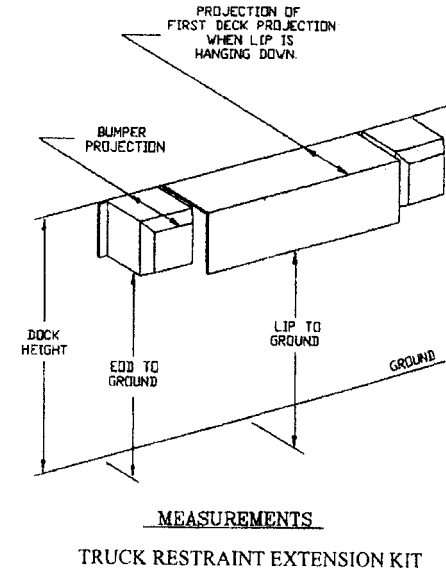
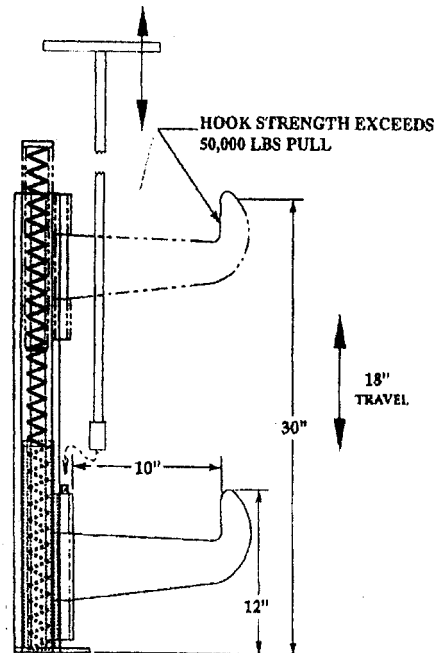
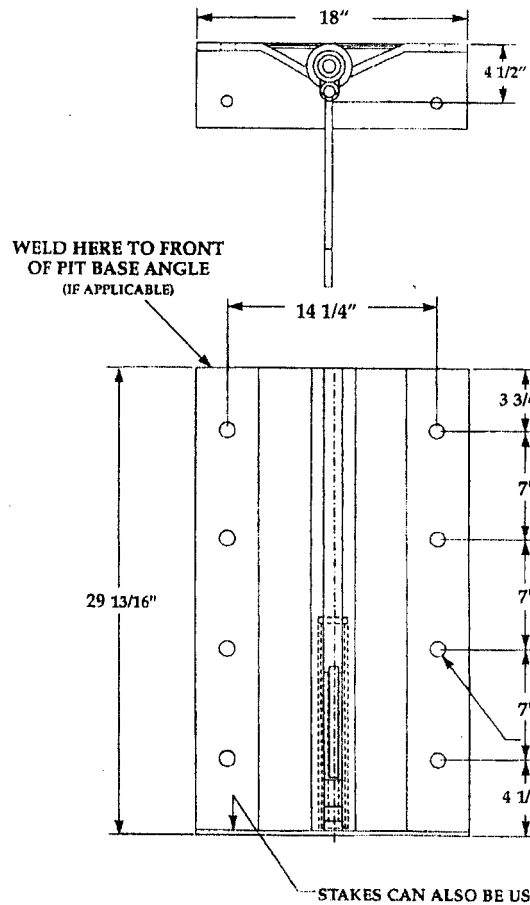


"BMVR" Series Mechanical Truck Restraint Detail



NOTES

JOB

Approval

I, the undersigned, hereby approve this print
 As drawn As marked
 This includes my approval of design & dimensions.

Signed: _____

Date: _____

BEACON INDUSTRIES, INC.
 12300 Old Tesson Road
 St. Louis, MO 63128-2247
 Ph: 314-487-7600 - Fax:
 314-487-0100
www.beacontechology.com