

BM3 Series Truck Service

MECHANICAL DOCK LEVELER 20,000, 25,000, 30,000, 35,000 & 45,000 lb. CAPACITIES

ARCHITECTURAL SPECIFICATIONS

GENERAL

The BM3 Series pit mounted mechanical dock leveler are available in one conventional heavy duty style. **BM3 Series - Two movement with 16" hinged flip lip.**

DESCRIPTION

Adjustable mechanical dock leveler with two movements: (1) Up, (2) down. Dock leveler to be _____ ft. long x _____ ft. wide with a static capacity of _____ lbs. Platform to be constructed of floor plate reinforced by C channel deck support beams. 16 in. hinged flip lip to be activated mechanically when deck comes up. 24" Total vertical travel, 12" above floor level and 12" below floor level. Deck will compensate a maximum of 4" from side to side to service unlevel vehicles. Dock leveler is constructed of 55,000 lb. minimum yield steel tread plate. Dock leveler to be equipped with toe guards and a set of dock bumpers. Dock leveler to meet or exceed the performance requirements of CS202-56., OSHA and ANSI MH14.1-1984.

SCOPE

This specification describes a manual operated, adjustable mechanical dock leveler, to be installed in a pit and/or affixed to loading platforms and to compensate for uneven heights between the truckbed and the dock.

DIMENSIONS

NOTE:
The sizes below are nominal lengths.



OPERATION

The Beacon BM3 Mechanical dock leveler is simple to operate and is activated by pull chain release, fully mechanical. Counter balance system is powered by exclusive direct extension spring method. The lip will extend and lock in position automatically when the dock ramp is activated. To unlock the leveler, simply walk the unit down, the unit will rest on the truck bed and the lock will automatically release. Our yieldable lip allows the lip to close quietly, automatically and yield upon impact. To retract legs for below dock service, pull up on the chain assembly in front center of deck and walk the unit down to the level that is needed.

CONSTRUCTION

The capacities of the BM3 are available in 20,000, 25,000, 30,000, 35,000 and 45,000 lb. Structural C channel deck support beams are 100% welded to the back of the header plate; 6 each under 6' wide models and 8 each under 7' wide models. Deck shall be 3/16" thick on the BM36620, BM36820 & BM361020 and a 1/4" on all others, Lip shall be 1/2" or 3/8" (see chart capacities). Lip Hinge and Deck assembly shall be seamless tubing with a cold roll 1045 steel rod. Deck and Lip shall be 55,000 minimum yield steel tread plate. Grease fittings on lip hinges are standard. All levelers include fork entry slots and lifting holes in the side plates for ease of handling during shipping and installation.

SAFETY EQUIPMENT

RAMP SIDES: The sides of the ramp shall be provided with steel safety toe guards. The Beacon lip keepers are installed for your protection while in storage, at installation and for night security along with providing safe and secure cross traffic support. Dual safety legs provide metered below dock control points. A maintenance strut is provided with each leveler. Two 4" x 10" x 13" molded dock bumpers shall be supplied with each dock leveler.

OPTIONAL FEATURES

- Hydra Lip (lip assist spr. & 2 shock absorbers).
- Full Range Toe Guards.
- Weather Seals.
- 16" Above dock service range (10' models only).
- Below Dock Control (lip push-out device).
- Lip 18" (14" projection) Lip assist.
- Lip 20" (16" projection) Lip assist.
- Base Frame Deep Pit Anchor Kit (4" channel for 23" deep pit) welded at factory.
- Foam insulation.
- Abrasive Surface.
- Self-forming pan with bottom (leveler welded in).
- EZ Pan (Self-forming) assembled at job site.
- Pit Curb Angle Kit.
- Yellow & Black Diagonal Striping on Sides.

PAINT

Beacon Grey

OWNERS MANUAL

Owners Manual comes with each unit, including General Information, Pit preparation, Leveler preparation, Anchoring Instructions, Operating Instructions, Troubleshooting, Parts List.

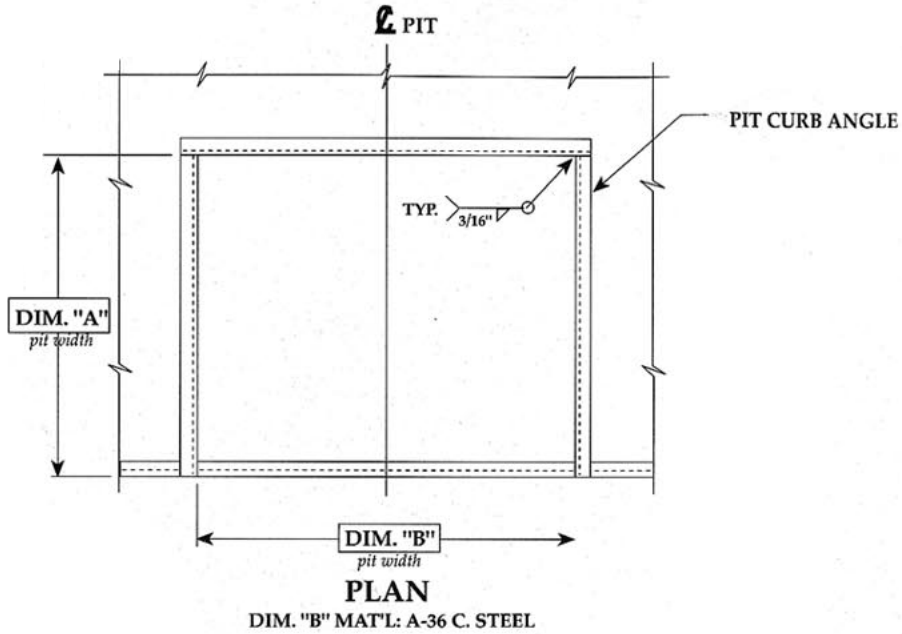
WARRANTY

The BM3 Series comes with a Limited Warranty - 3 years on structural members and main springs, 1 year on mechanical and miscellaneous parts.

MODEL	CAP. (LBS.)	WIDTH	LENGTH	THICKNESS		DECK	WEIGHT
				DEPTH	LIP		
BM36620	20,000	72"	6'	19"	1/2"	3/16"	1,300
BM36820	20,000	72"	8'	19"	1/2"	3/16"	1,545
BM361020	20,000	72"	10'	24"	1/2"	3/16"	1,797
BM36625	25,000	72"	6'	19"	1/2"	1/4"	1,370
BM36625.5	25,000	78"	6'	19"	1/2"	1/4"	1,750
BM37625	25,000	83"	6'	19"	1/2"	1/4"	1,510
BM36825	25,000	72"	8'	19"	1/2"	1/4"	1,655
BM36825.5	25,000	78"	8'	19"	1/2"	1/4"	2,020
BM37825	25,000	83"	8'	19"	1/2"	1/4"	1,810
BM361025	25,000	72"	10'	24"	1/2"	1/4"	1,944
BM361025.5	25,000	78"	10'	24"	1/2"	1/4"	2,498
BM371025	25,000	83"	10'	24"	1/2"	1/4"	2,675
BM36630	30,000	72"	6'	19"	1/2"	1/4"	1,340
BM36630.5	30,000	78"	6'	19"	1/2"	1/4"	1,790
BM37630	30,000	83"	6'	19"	1/2"	1/4"	1,840
BM36830	30,000	72"	8'	19"	1/2"	1/4"	1,580
BM36830.5	30,000	78"	8'	19"	1/2"	1/4"	2,225
BM37830	30,000	83"	8'	19"	1/2"	1/4"	2,264
BM361030	30,000	72"	10'	24"	1/2"	1/4"	2,228
BM361030.5	30,000	78"	10'	24"	1/2"	1/4"	2,650
BM371030	30,000	83"	10'	24"	1/2"	1/4"	2,703
BM36635	35,000	72"	6'	19"	5/8"	1/4"	1,380
BM36635.5	35,000	78"	6'	19"	5/8"	1/4"	1,795
BM37635	35,000	83"	6'	19"	5/8"	1/4"	1,854
BM36835	35,000	72"	8'	19"	5/8"	1/4"	1,695
BM36835.5	35,000	78"	8'	19"	5/8"	1/4"	2,225
BM37835	35,000	83"	8'	19"	5/8"	1/4"	2,289
BM361035	35,000	72"	10'	24"	5/8"	1/4"	2,455
BM361035.5	35,000	78"	10'	24"	5/8"	1/4"	2,690
BM371035	35,000	83"	10'	24"	5/8"	1/4"	2,739
BM36645	45,000	72"	6'	19"	5/8"	1/4"	1,734
BM36645.5	45,000	78"	6'	19"	5/8"	1/4"	1,860
BM37645	45,000	83"	6'	19"	5/8"	1/4"	1,913
BM36845	45,000	72"	8'	19"	5/8"	1/4"	2,112
BM36845.5	45,000	78"	8'	19"	5/8"	1/4"	2,290
BM37845	45,000	83"	8'	19"	5/8"	1/4"	2,350
BM361045	45,000	72"	10'	24"	5/8"	1/4"	2,505
BM361045.5	45,000	78"	10'	24"	5/8"	1/4"	2,750
BM371045	45,000	83"	10'	24"	5/8"	1/4"	2,802

Additional capacities and 6'6" wide models available, consult factory.
Standard 10' Models also available.

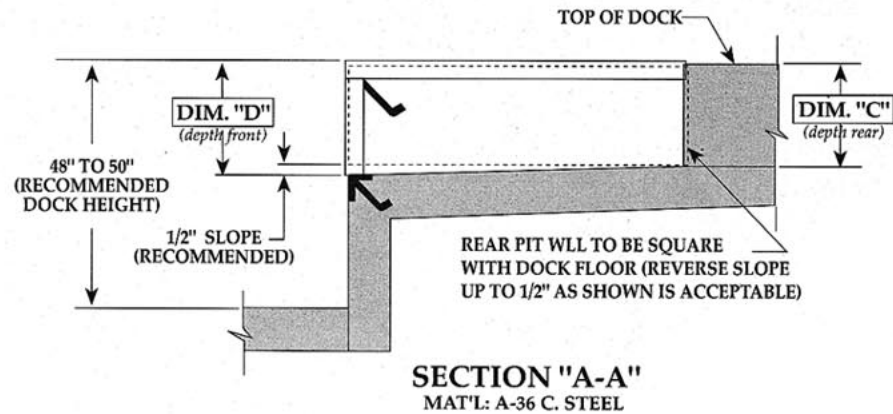
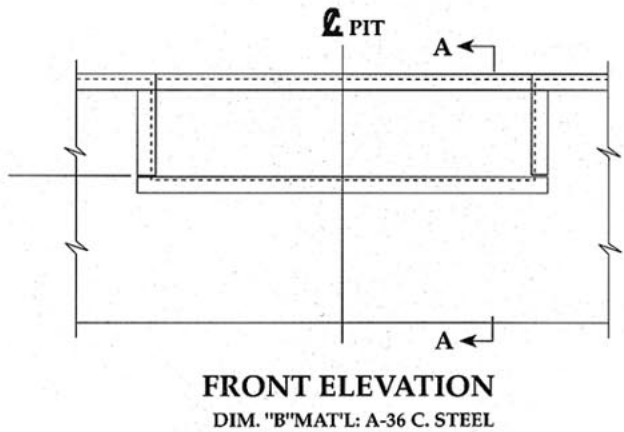
BEACON BM3 Series Mechanical Dock Leveler Pit Detail



VARIABLE DIMENSIONS				
MODEL SIZE	"A"	"B"	"C"	"D"
6'W x 6'L	63"	74"	19½"	20"
6'W x 8'L	87"	74"	19½"	20"
6'-6"W x 6'L	63"	80"	19½"	20"
6'-6"W x 8'L	87"	80"	19½"	20"
7'W x 6'L	63"	85"	19½"	20"
7'W x 8'L	87"	85"	19½"	20"
6'W x 10'L	111"	74"	23½"	24"
6'-6"W x 10'L	111"	80"	23½"	24"
7'W x 10'L	111"	85"	23½"	24"

INSERT SPECIFIC JOB DIMENSIONS FROM CHART

--	--	--	--	--



NOT TO SCALE

NOTES

JOB

DRAWN: D.E.A.	SCALE: AS NOTED	DATE: 9/30/94	DRAWING NUMBER: PMI-2012-R1
TOLERANCES:			
Inch Dimension = ± 1/16"	Decimal Dimension = ± .005	Angles = ± 1°	