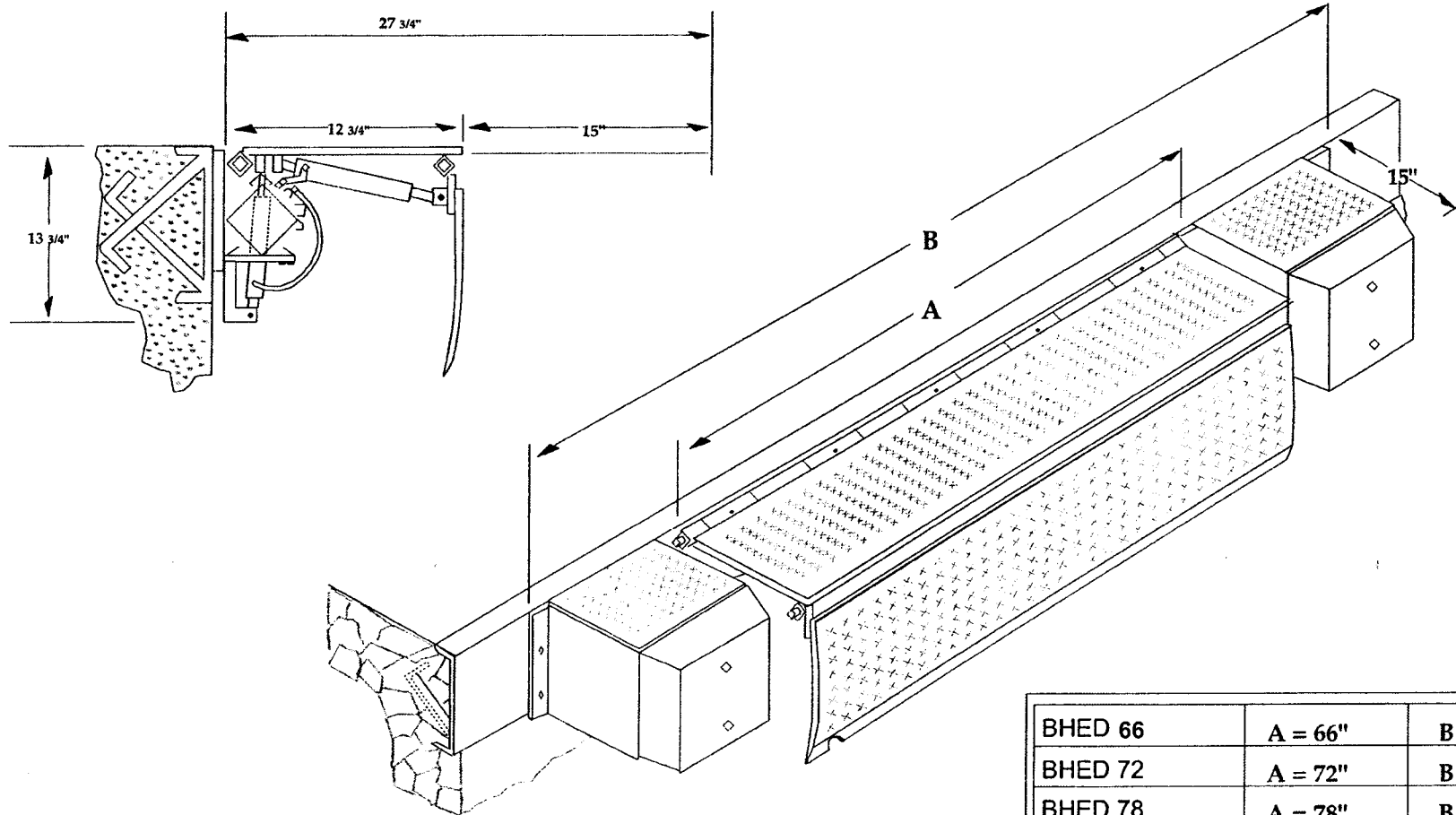


BHED Hydraulic Edge of Dock Submittal Drawing

7/06



BHED 66	A = 66"	B = 102"
BHED 72	A = 72"	B = 108"
BHED 78	A = 78"	B = 114"
BHED 84	A = 84"	B = 120"
1/2 Hp. 1 ph. Std.	(3 ph. Opt.)	
20, 25, and 30,000 lb capacities available		

BEACON INDUSTRIES, INC.

12300 Old Tesson Road, St. Louis, MO 63128-2247

Ph: 314-487-7600 USA - Toll Free USA 800-454-7159 - Fax: 314-487-0100

JOB