

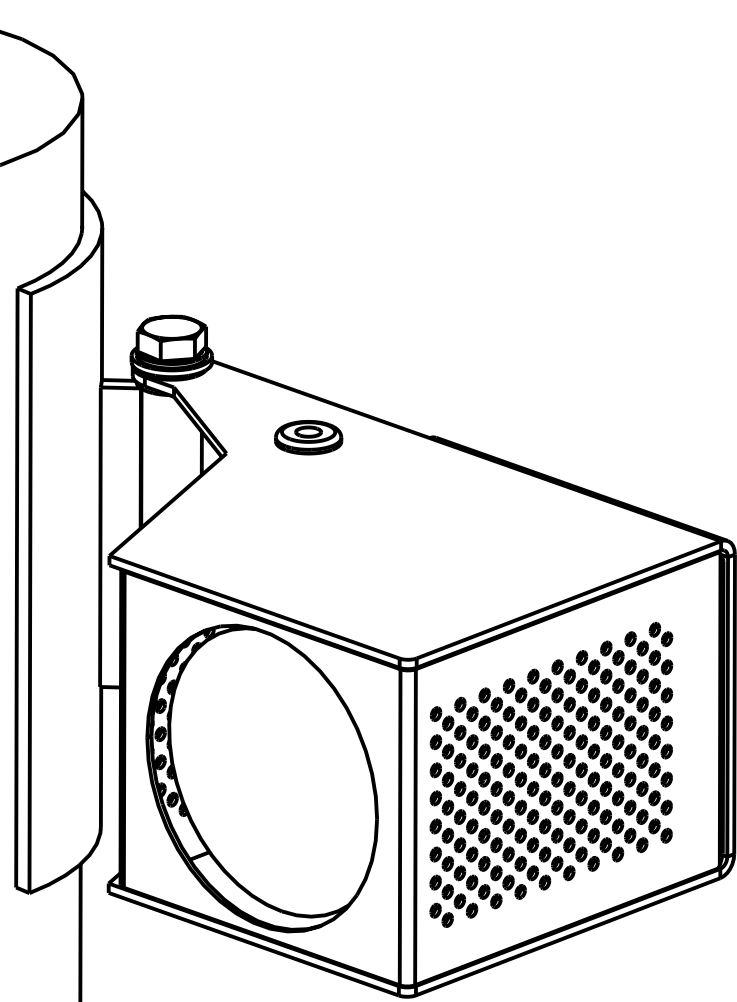
Ever Light[®]

Lighting System

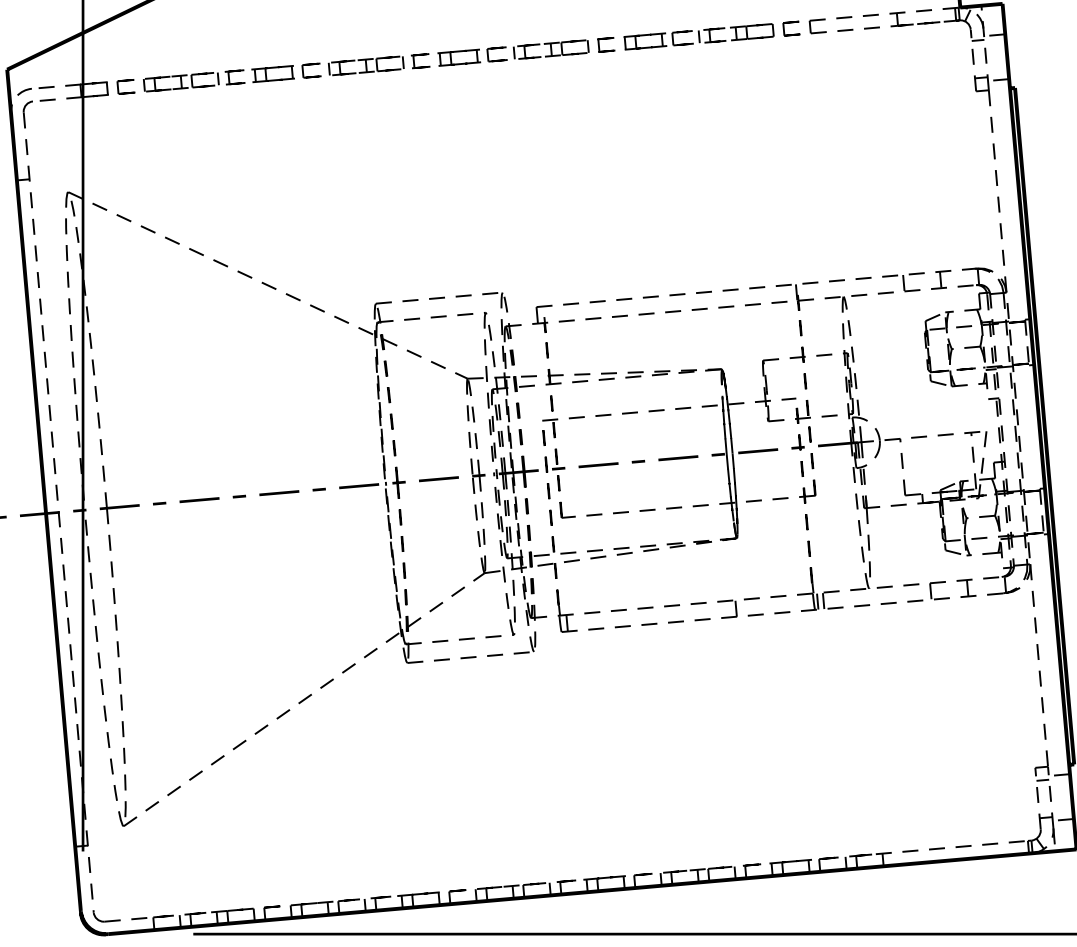
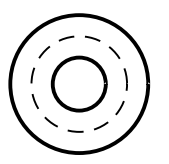
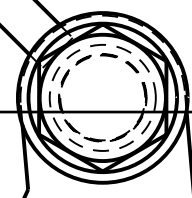
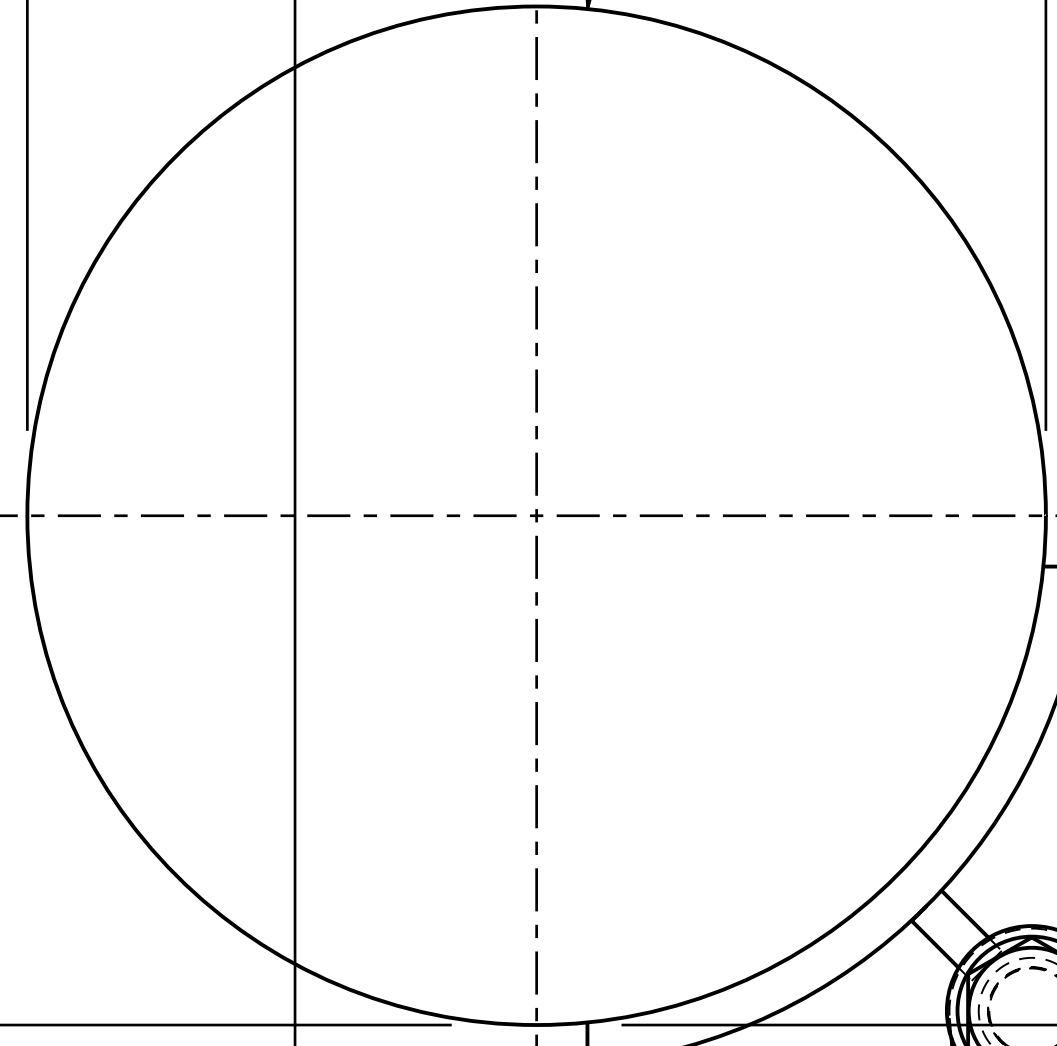
DOCK LIGHT PIPE MOUNTED Loading Dock Spot Light



Beacon Industries, Inc.
12300 Old Tesson Road
St. Louis, MO 63128-2247
Ph: 314-487-7600 – Fax: 314-487-0100
www.beacontechology.com

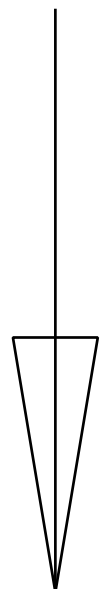
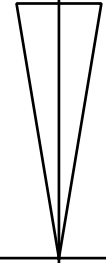
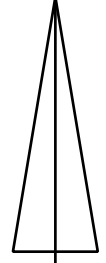
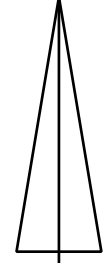
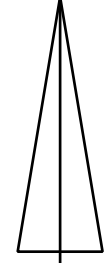


69

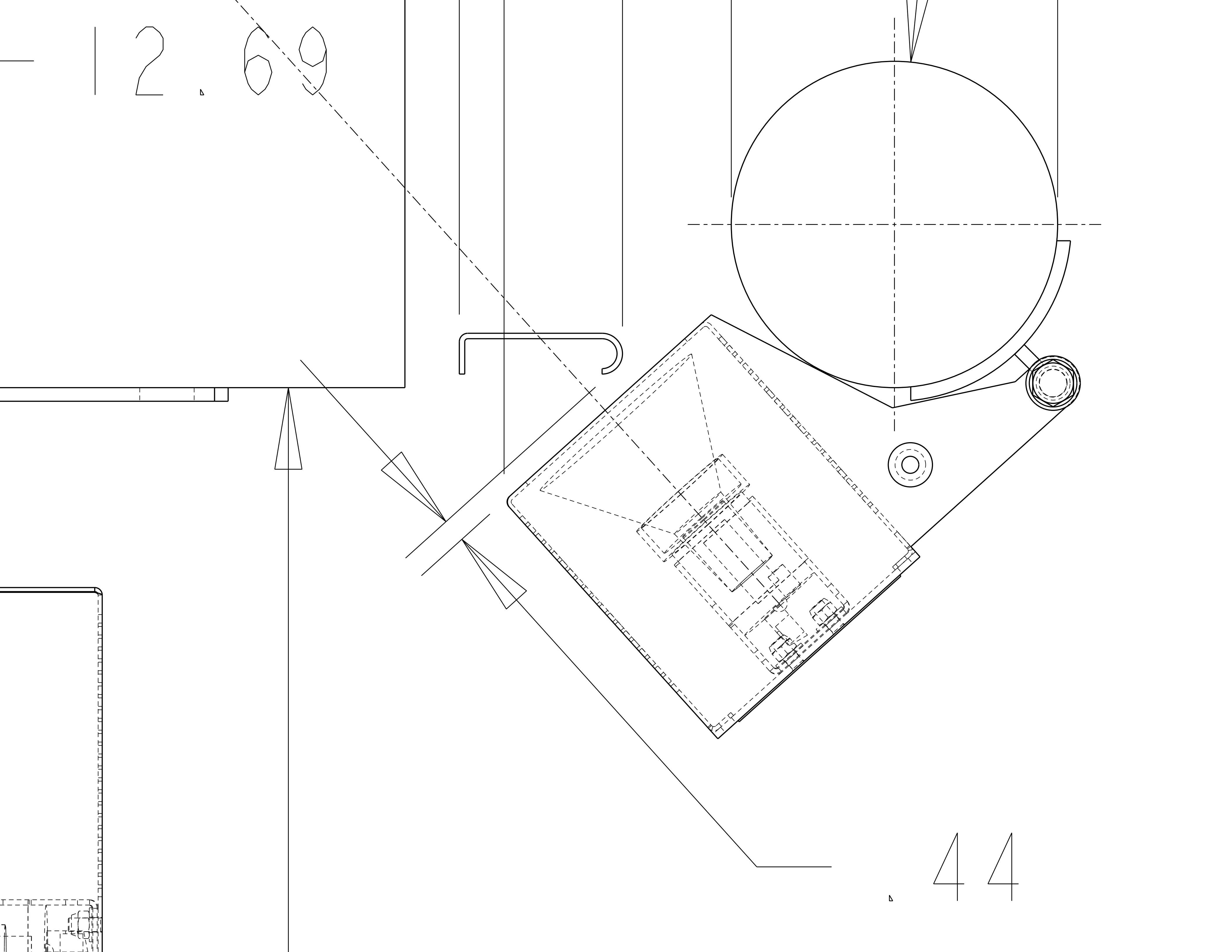


9.27

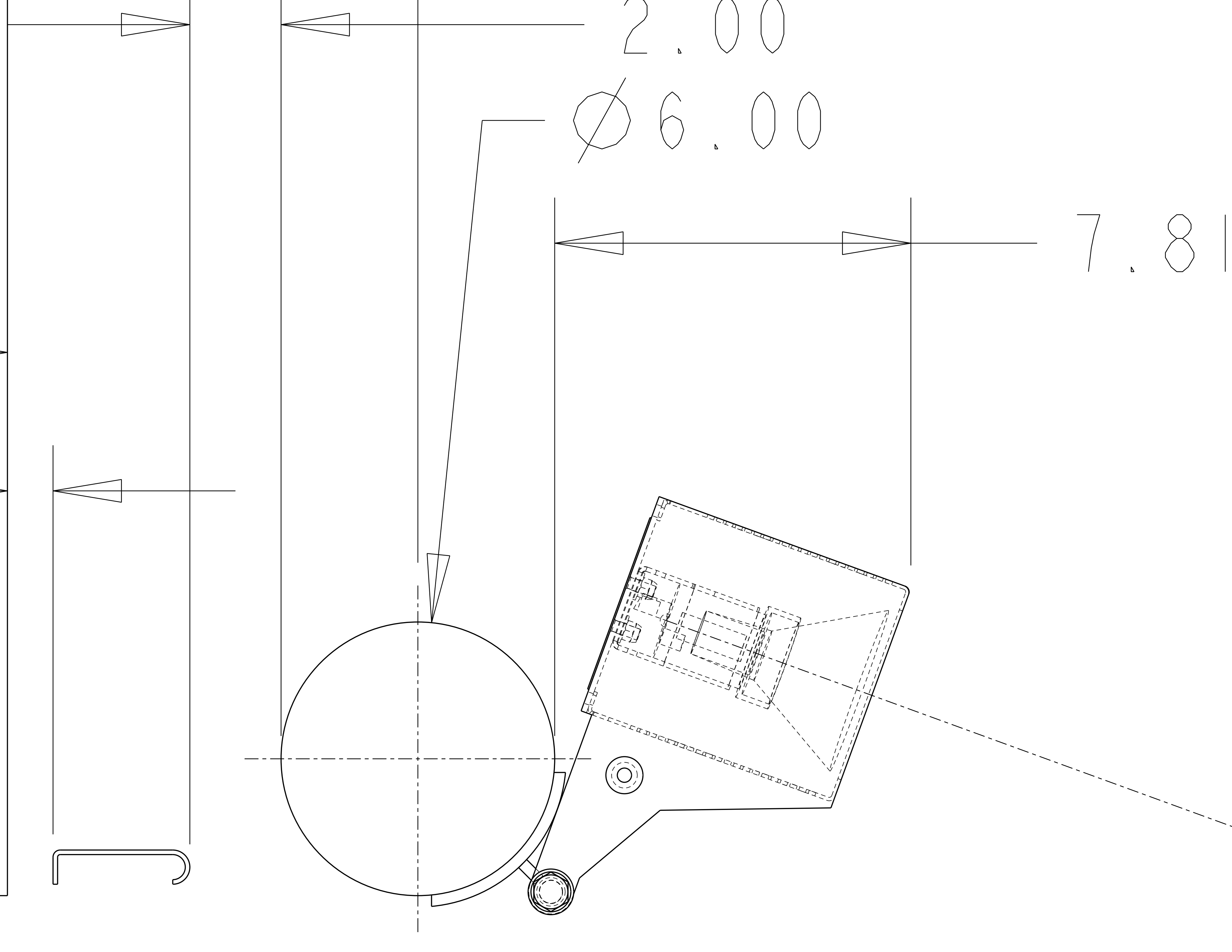
4.90

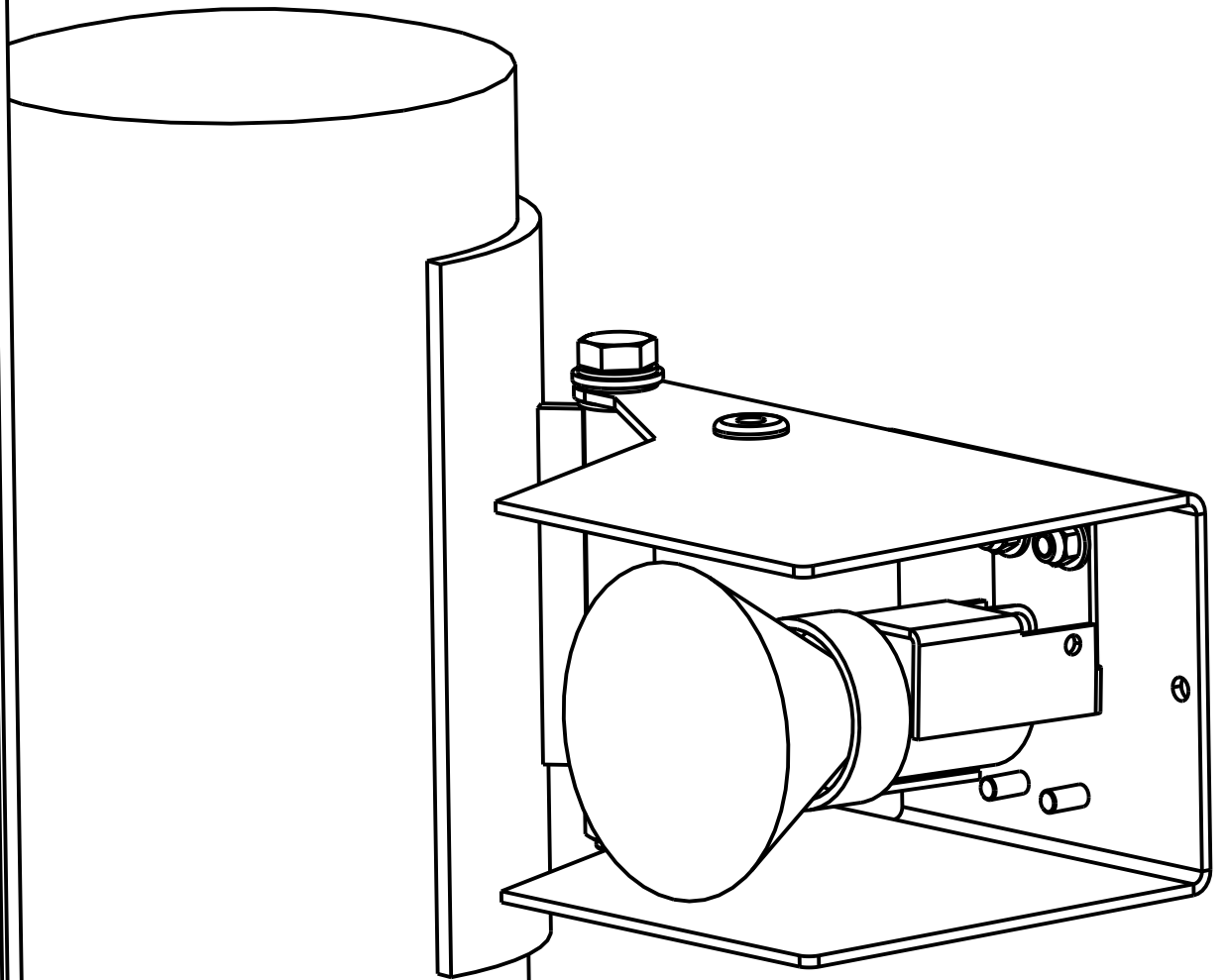


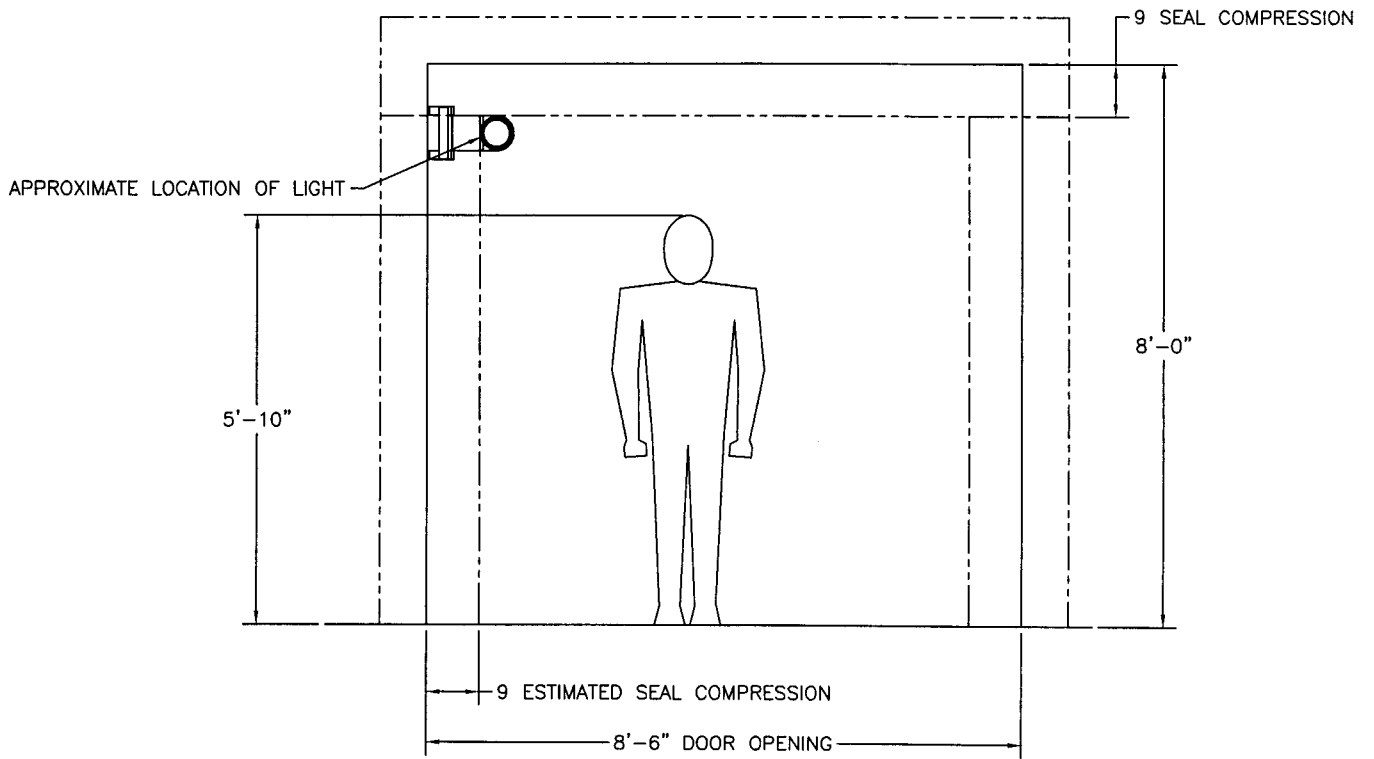
12.00



44







APPROVAL

I, the undersigned, hereby approve this print
 () As drawn () As marked

Signed: _____
 Date: _____

D		TITLE		Beacon Industries, Inc.	
C		EverLight (Swing Design)		St. Louis, MO.	
B		Loading Dock Spotlight			
A		MATERIAL		DWG. NO.	
DATE	DESCRIPTION	DRAWN	CHECKED	DATE	SCALE
		TMDD		01/14/00	none
				DWG. NO.	REV. / SHEET NO.
				EL-SW-2001-05	0 / 1 of 1

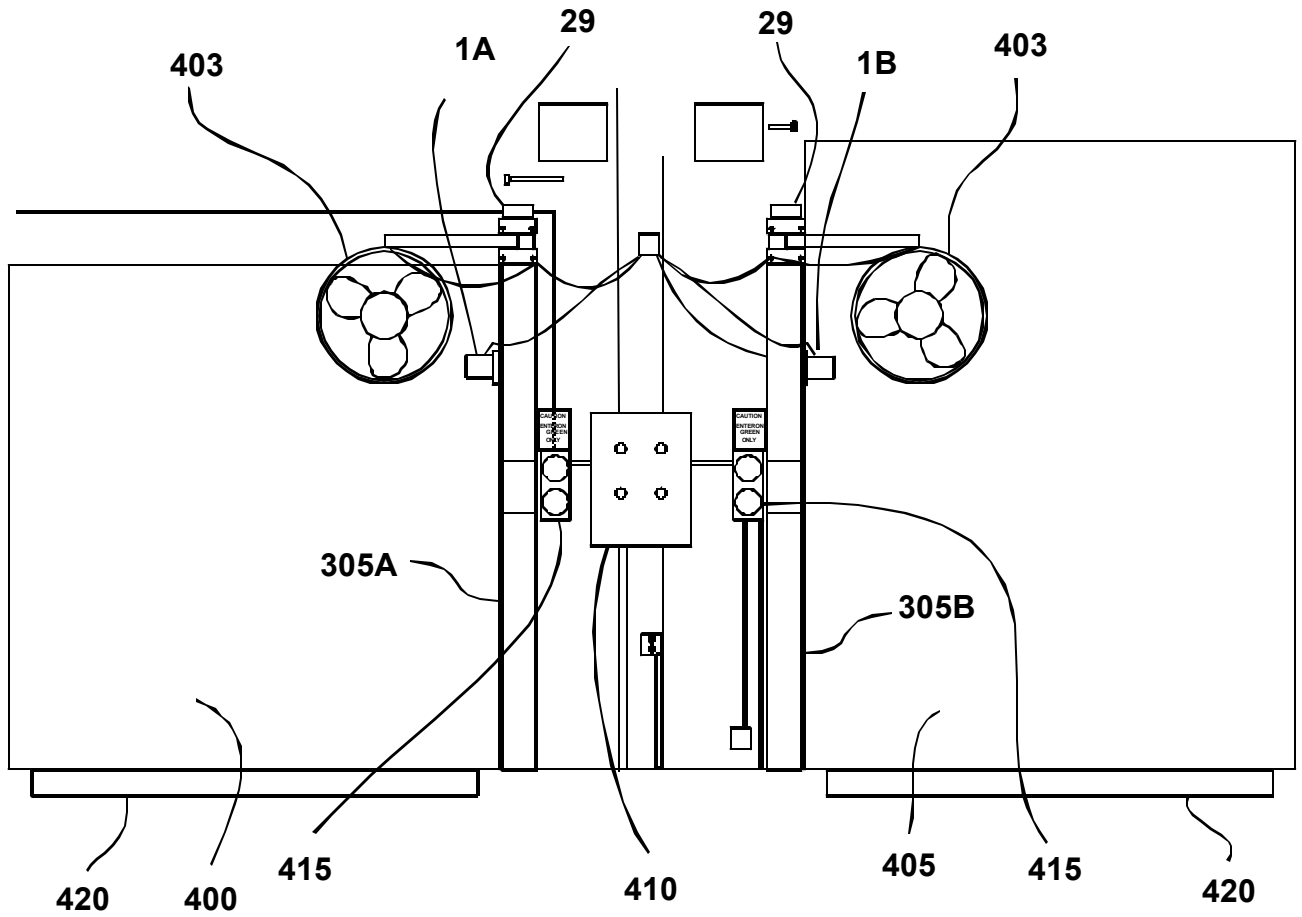


Fig. 1

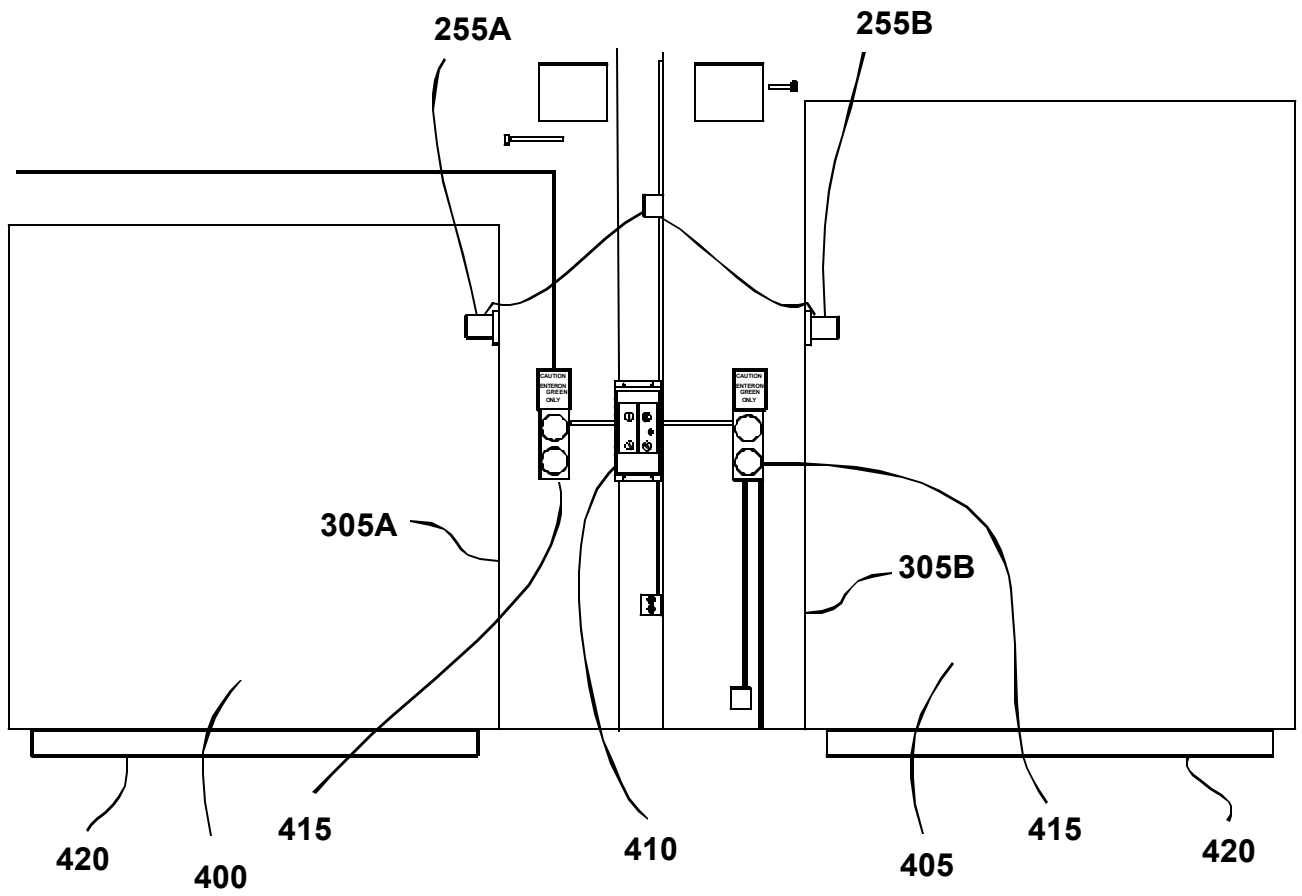


Fig. 8