

Ever Light[®]

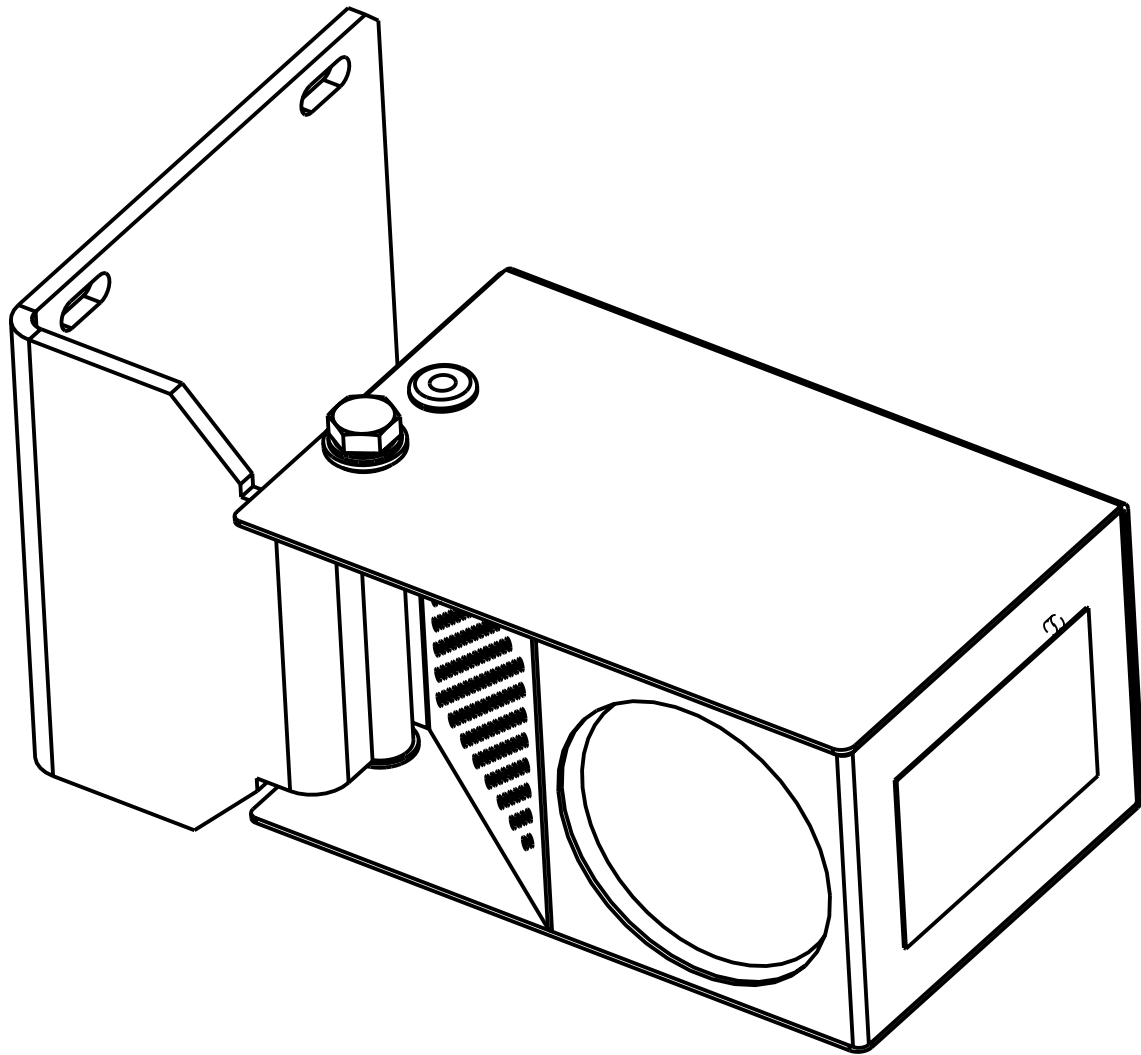
Lighting System

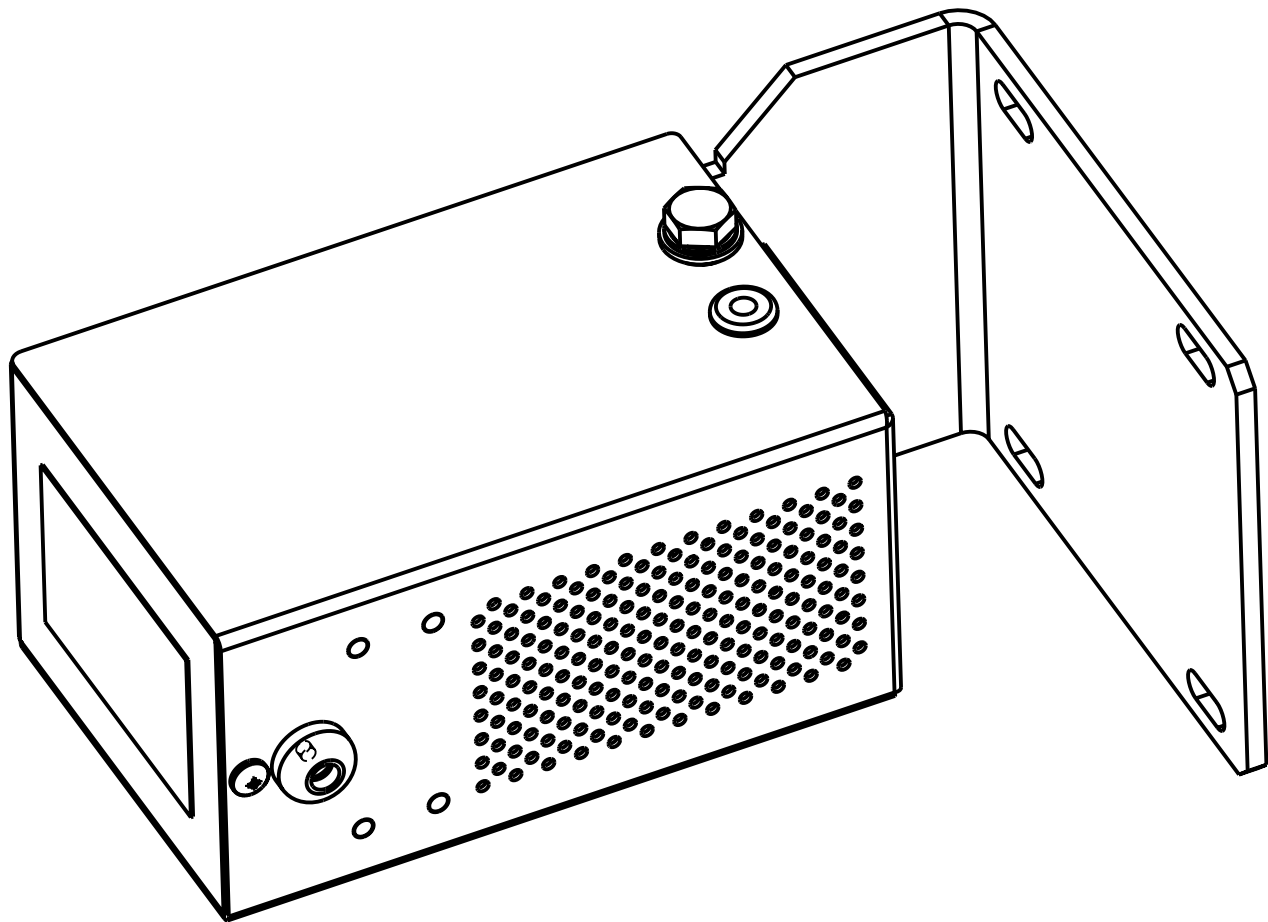
DOCK LIGHT DOOR JAMB MOUNTED

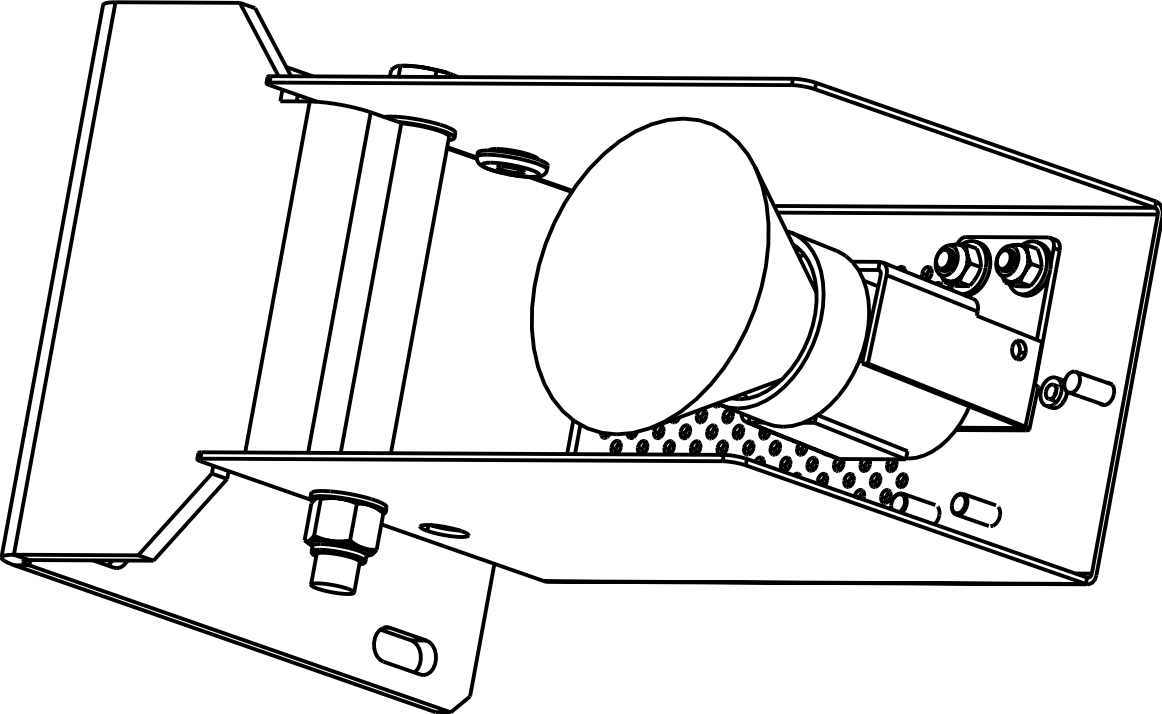
Loading Dock Spot Light

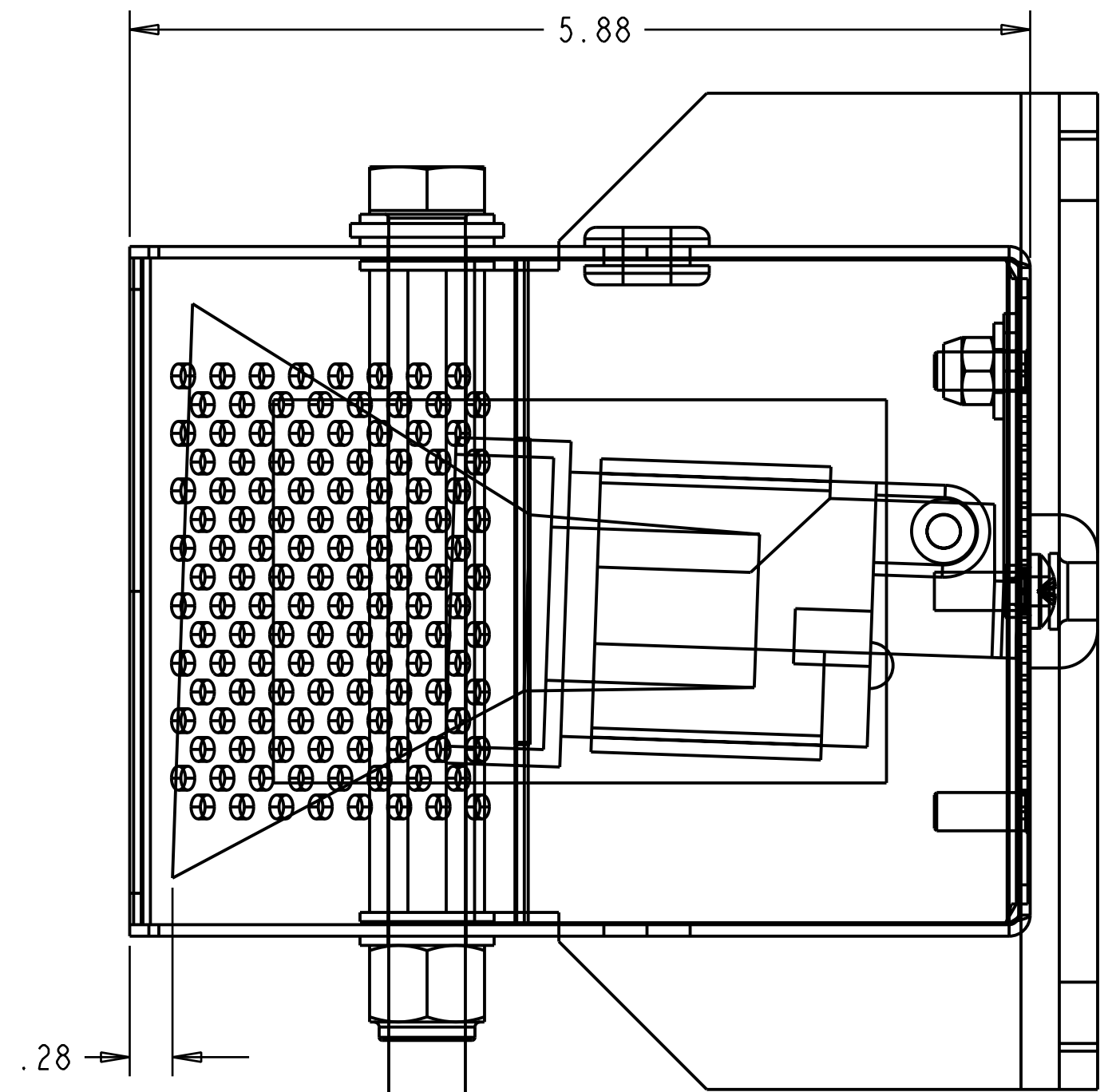
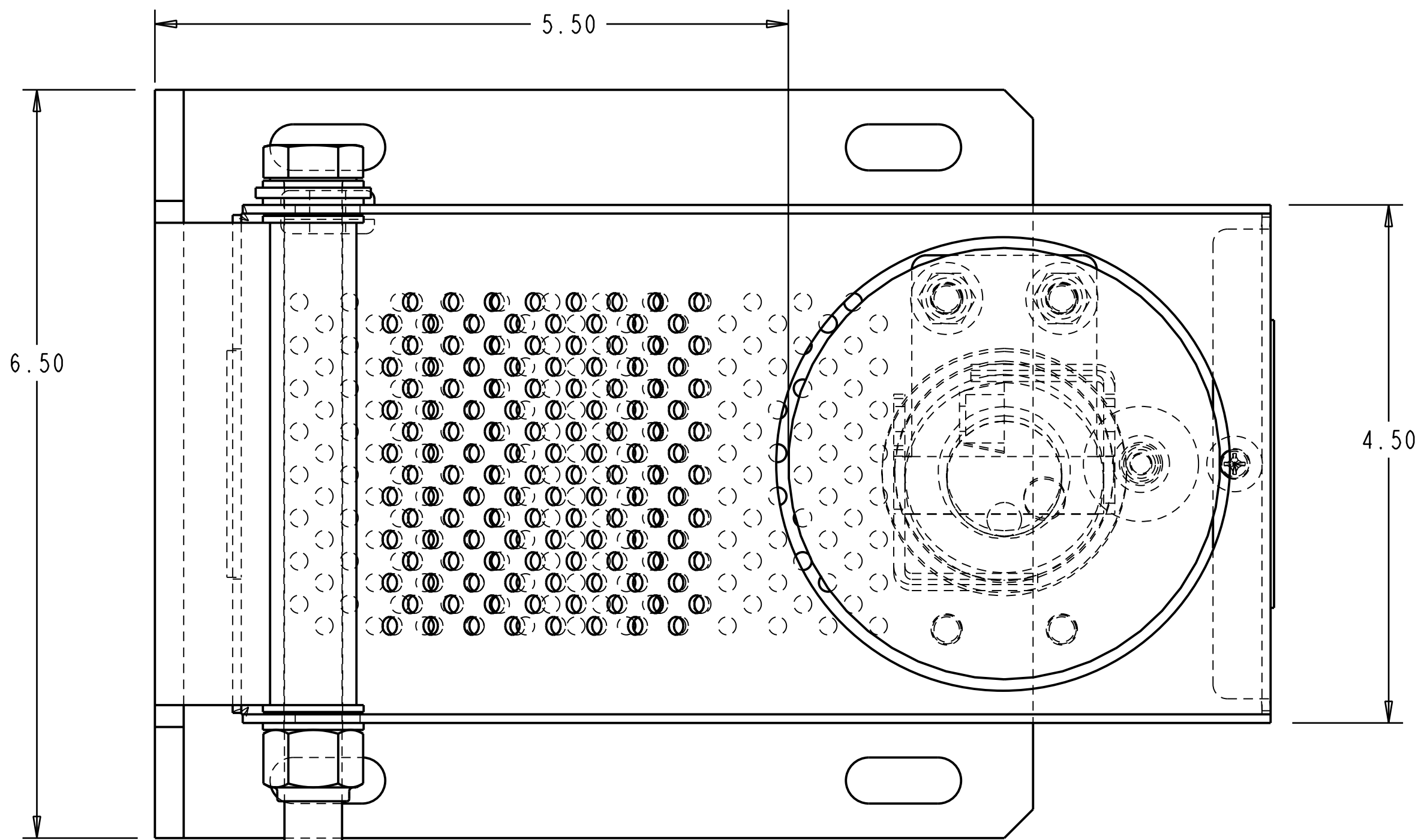
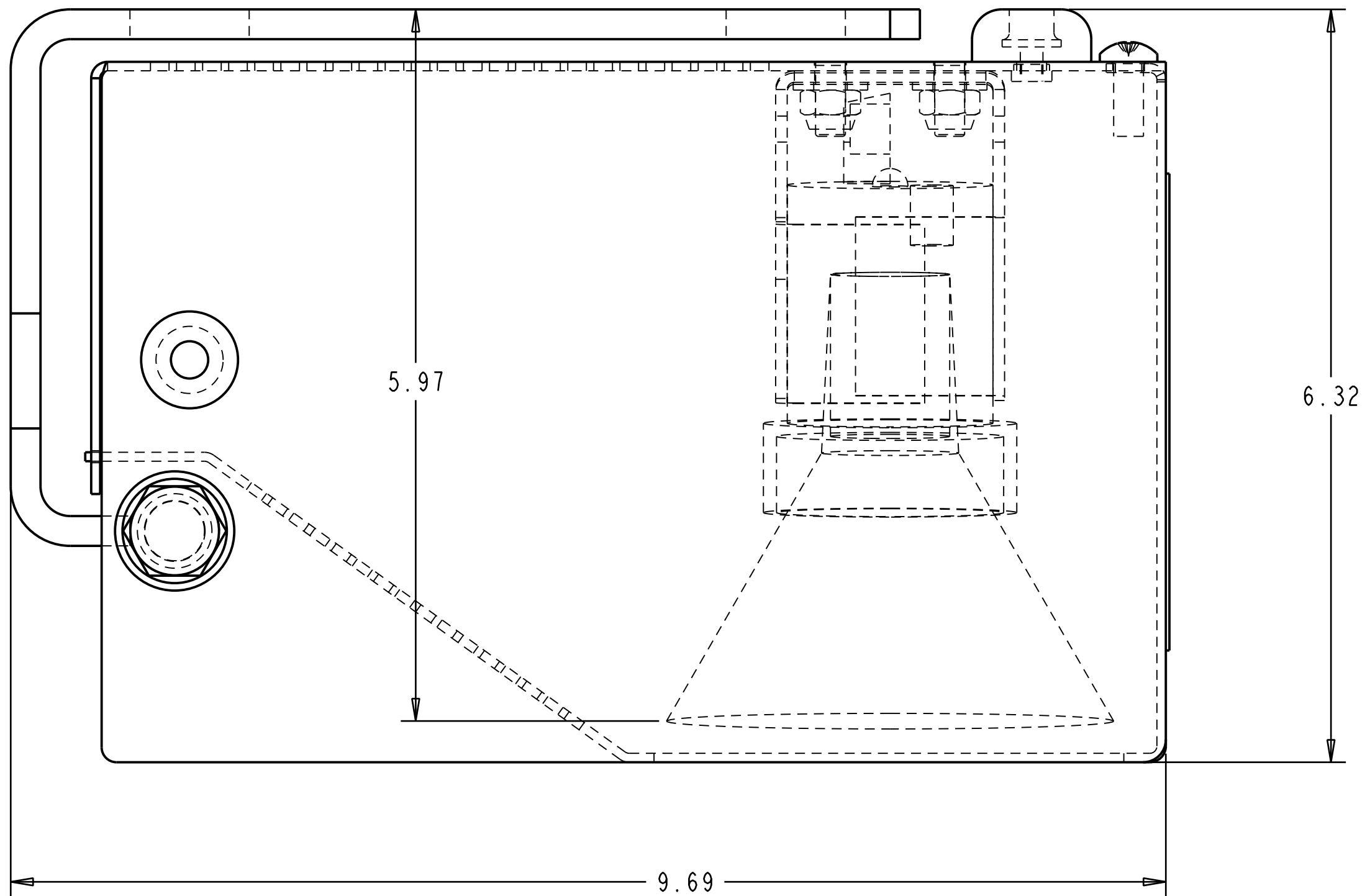


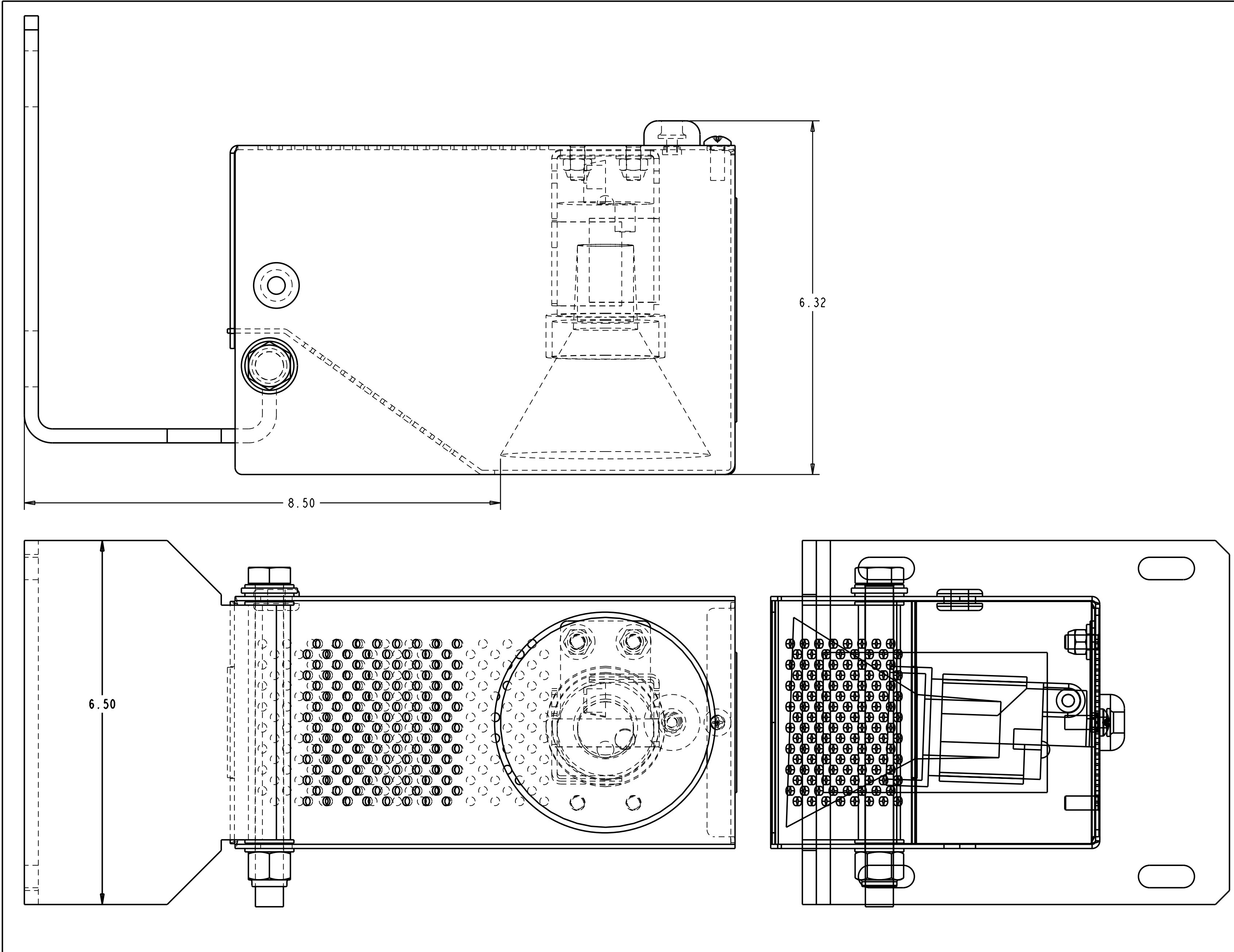
Beacon Industries, Inc.
12300 Old Tesson Road
St. Louis, MO 63128-2247
Ph: 314-487-7600 – Fax: 314-487-0100
www.beacontechnology.com

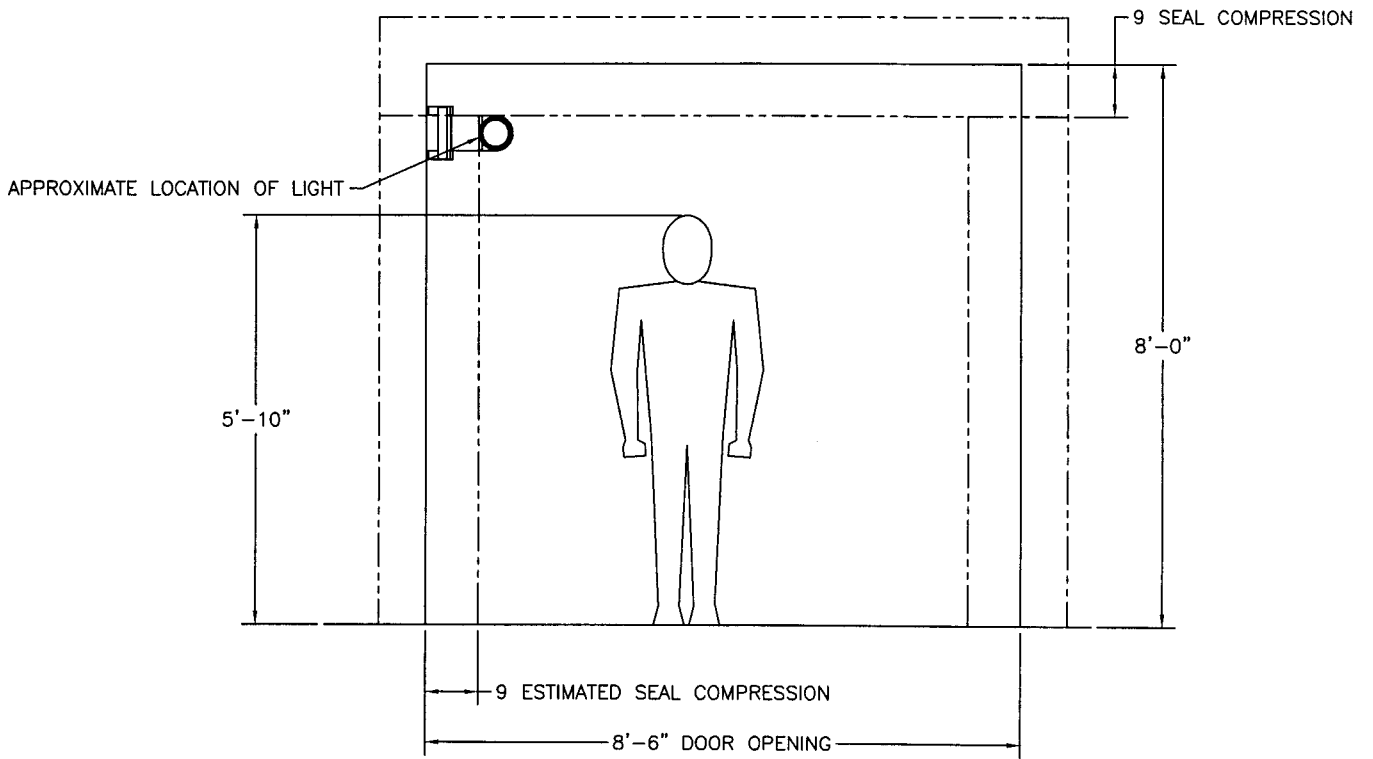












APPROVAL
 I, the undersigned, hereby approve this print
 () As drawn () As marked
 Signed: _____
 Date: _____

D			TITLE		Beacon Industries, Inc.	
C			EverLight (Swing Design)		St. Louis, MO.	
B			Loading Dock Spotlight			
A			MATERIAL	DRAWN	DATE	SCALE
	DATE	DESCRIPTION		TMDD	01/14/00	none
			DWG. NO.		REV.	SHEET NO.
			EL-SW-2001-05		0	1 of 1

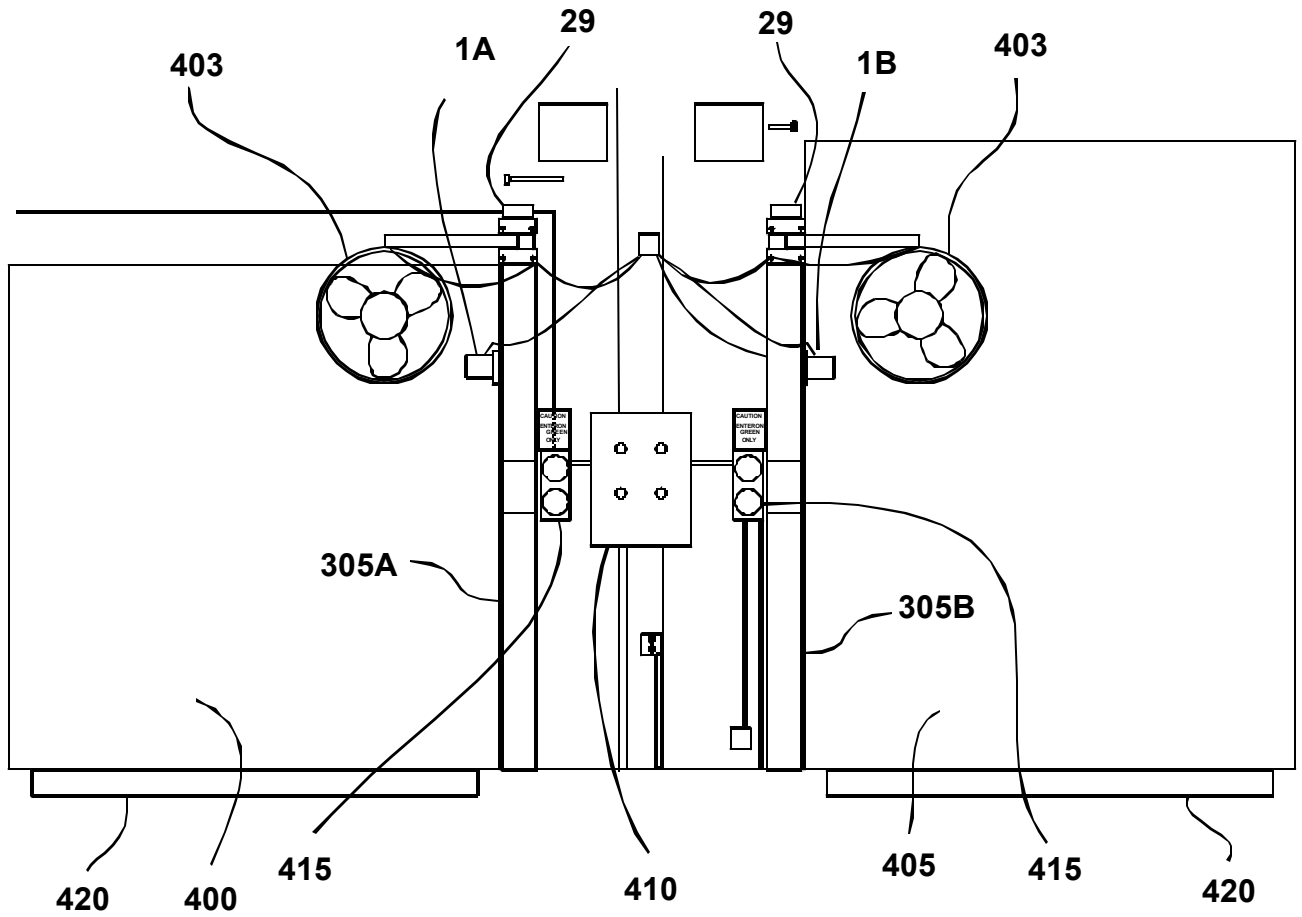


Fig. 1

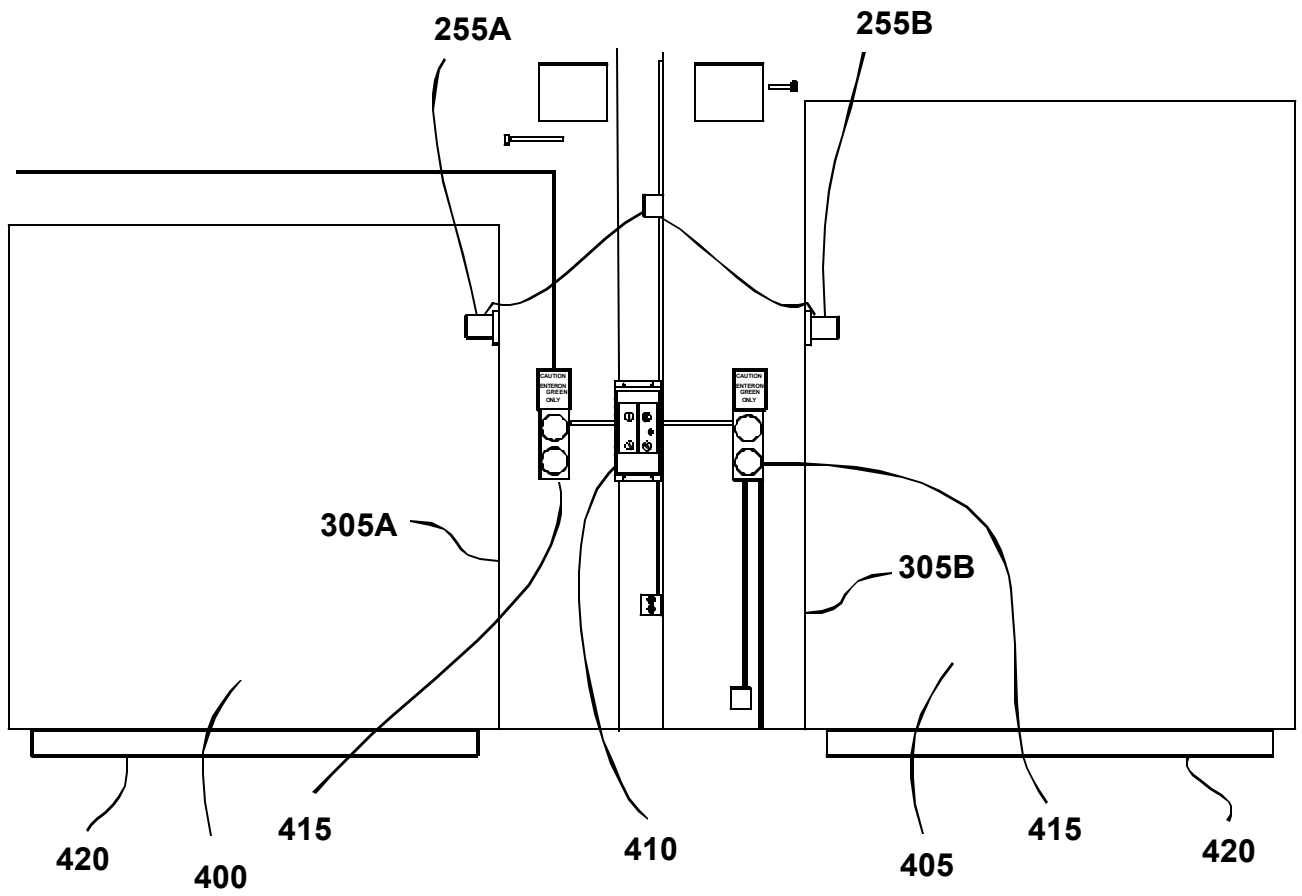


Fig. 8