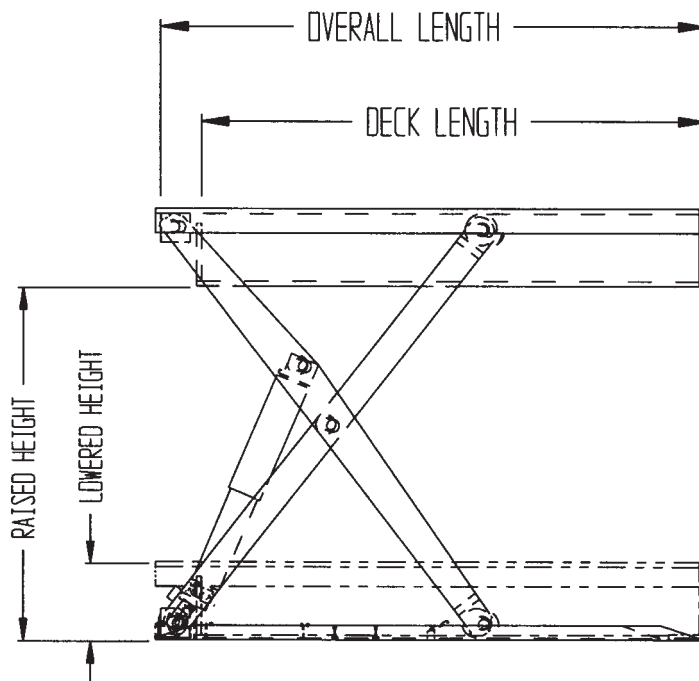


# BEHLTG SERIES Ground Scissor Lift Table

**Beacon Industries, Inc.**  
12300 Old Tesson Rd.  
St. Louis, MO 63128-2247 USA  
Phone: (314) 487-7600 Fax: (314) 487-0100  
[www.beacontechnology.com](http://www.beacontechnology.com)  
E-Mail: [sales@beacontechnology.com](mailto:sales@beacontechnology.com)



## ENGINEERS SPECIFICATIONS

### GENERAL

Ground Scissor Lift Table.

### DESCRIPTION

The Ground Lift is ergonomically designed for easy loading and placing materials at the proper working height. Equipped with case carburized rollers. The ground lift is pallet truck accessible. An optional pallet truck portability feature is available.

### SCOPE

Pallet truck accessible. Scissor table (without a pit).

### OPERATION

Standard foot pedal control (hand control available). 2 or 4,000 lb. capacities available. Raised heights up to 48". Lowered heights of 1/2".

### CONSTRUCTION

All steel construction to AWS Standard. Case carburized rollers.

### HYDRAULICS

The BEHLTG Series is supplied with a one gallon per minute cast iron hydraulic pump with integral valving including a pressure relief valve, check valve, down solenoid valve and a pressure compensated flow control valve. Hydraulic actuators are of the displacement style, installed rod-end down, and include an internal brass safety velocity fuse with stainless steel spring.

### ELECTRICAL

Remote motor is 2 HP, 208-220/480 Volt 3 phase. Fused 24 volt foot (NEMA 1) pedal control with an 8 foot cord. Hand held control is also available.

### SAFETY EQUIPMENT

Electrical toeguards. Brass safety stop velocity fuses in both cylinders.

### PAINT

Durable polyurethane blue enamel paint.

### OWNERS MANUAL

An owners manual comes with each unit, including Serial Numbers, General Information, Installation, Wiring Schematics, Hydraulics Schematics, Operating Instructions, Loading and Unloading Instructions, Maintenance Instructions, Trouble Shooting Chart, Part Numbers Listed.

### WARRANTY

Limited Warranty—1 year on structure, 1 year on hydraulic components and 1 year on electrical components.

### OPTIONS

Optional pallet truck portability features Accordion skirting.

MODEL NUMBER	PLATFORM SIZE (W × L)	CAPACITY IN POUNDS	RAISED HEIGHT	OVERALL SIZE (W × L)	WEIGHT (POUNDS)
BEHLTG-4450-2-36	44" × 50"	2000	36"	66" × 55"	1350
BEHLTG-4450-4-36	44" × 50"	4000	36"	66" × 55"	1610
BEHLTG-5250-2-36	52" × 50"	2000	36"	74" × 55"	1500
BEHLTG-5250-4-36	52" × 52"	4000	36"	74" × 55"	1800
BEHLTG-4470-2-48	44" × 72"	2000	48"	66" × 78"	1900
BEHLTG-4470-4-48	44" × 72"	4000	48"	66" × 78"	2200
BEHLTG-5270-2-48	52" × 72"	2000	48"	74" × 78"	2100
BEHLTG-5270-4-48	52" × 72"	4000	48"	74" × 78"	2400

**MODEL NUMBER FORMAT: BEHLTG [WIDTH × LENGTH] - [CAPACITY] - [RAISED HEIGHT]**