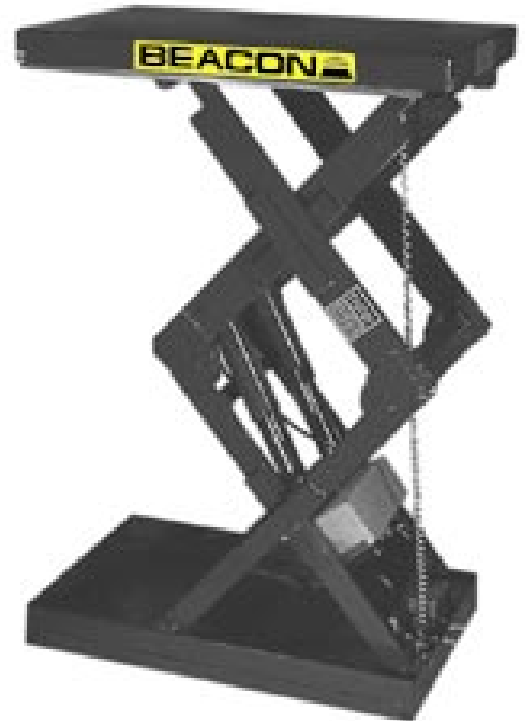
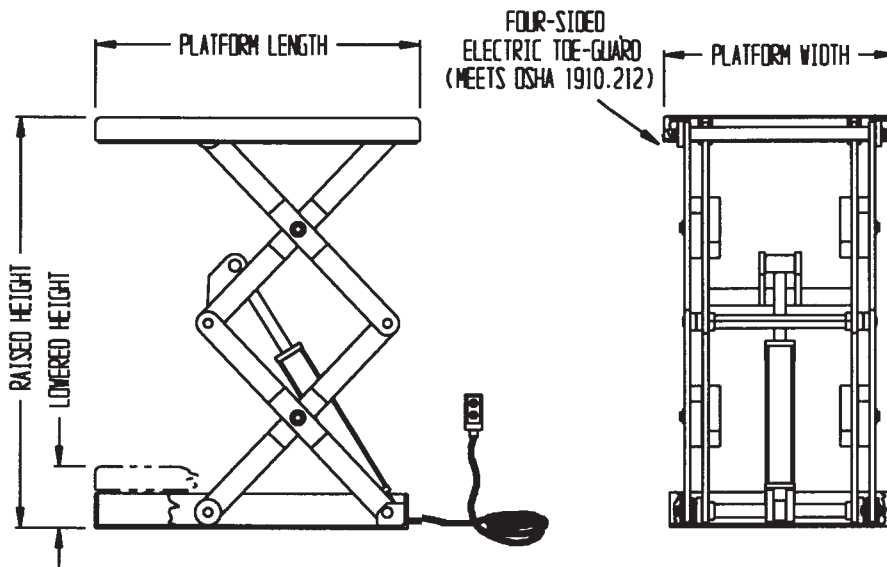


BEHLTD Series Double Scissor Table



ENGINEERS SPECIFICATIONS

GENERAL

Double Scissor Table.

DESCRIPTION

The BEHLTD Series Scissor Table has a hydraulic component rating of 3,000 PSI. A chrome plate rod cylinder and case carburised rollers are standard.

SCOPE

The Double Scissor Table has been mainly designed for increasing worker productivity and morale while lowering the risk of back injury. This is achieved by raising or lowering products to a more ergonomically correct position.

OPERATION

Operation of the BEHLTD Series is controlled by a pendant hand control, 24V AC, NEMA 4 rating, on an 8' cord.

CONSTRUCTION

All steel construction (ASTM A-36 or equivalent) with welding to meet A.W.S. Equipped with lifetime DU bushings at all pivot points.

HYDRAULICS

3,000 P.S.I. Hydraulic Components Rating, emergency safety stop hydraulic fuses in all cylinders.

ELECTRICAL

110/220 - Single phase is standard, three phase is available. All electrical components meet NEMA 1; UL and C.S.A. Listed. Electric toe guards meet OSHA 1910.212 spec. requirements.

SAFETY EQUIPMENT

Emergency safety stop hydraulic fuses in all cylinders. Electric toe guards. Safety maintenance props.

PAINT

Durable polyurethane enamel blue paint.

OWNERS MANUAL

An owners manual comes with each unit, including Serial Numbers, General Information, Installation, Wiring Schematics, Hydraulics Schematics, Operating Instructions, Loading and Unloading Instructions, Maintenance Instructions, Trouble Shooting Chart, Part Numbers Listed.

WARRANTY

Limited Warranty—1 year on structure, 1 year on hydraulic components and 1 year on electrical components.

OPTIONS

230/460 V - 3 Phase. Accordion skirting. Carousel turntable. Conveyor section. Foot control.

# of Cylinders	PLATFORM WIDTH	PLATFORM LENGTH	CAPACITY (POUNDS)	RAISED HEIGHT	LOWERED HEIGHT	VERTICAL TRAVEL	TRAVEL TIME (Sec.)	WEIGHT (POUNDS)
1	34"-48"	48"-72"	1,000	70"	10"	60"	7	1400
1	34"-48"	48"-72"	2,000	70"	10"	60"	11	1500
1	34"-48"	48"-72"	3,000	70"	10"	60"	11	1600
2	34"-48"	48"-72"	4,000	70"	10"	60"	16	1800
2	34"-48"	48"-72"	5,000	70"	10"	60"	16	1850
2	34"-48"	48"-72"	6,000	70"	10"	60"	23	1900
1	34"-48"	64"-88"	1,000	82"	12"	72"	10	1500
1	34"-48"	64"-88"	2,000	82"	12"	72"	11	1600
1	34"-48"	64"-88"	3,000	82"	12"	72"	16	1700
2	34"-48"	64"-88"	4,000	82"	12"	72"	16	1875
2	34"-48"	64"-88"	5,000	82"	12"	72"	23	1925
2	34"-48"	64"-88"	6,000	82"	12"	72"	23	2000

MODEL NUMBER FORMAT: BEHLTD - [WIDTH] x [LENGTH] - [CAPACITY] - [RAISED HEIGHT]