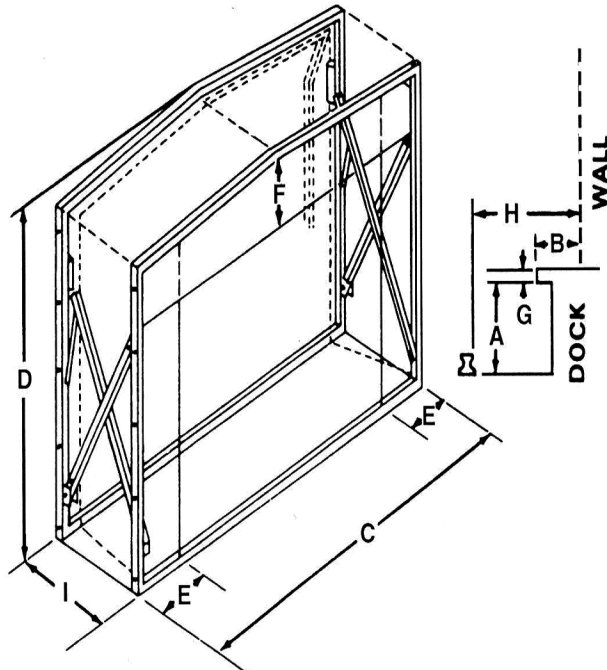




Door-Seals Rail Dock Shelter



Frame fittings and fasteners: Frame fittings are made from 1/4" thick steel and hot dipped galvanized after fabrication. Frame fasteners are 3/8" and 1/2" diameter steel and also hot dipped galvanized after fabrication.

Rollers for arm and track: Rollers are four wheel design, made of galvanized steel tested to 1000 lb. load limit, equipped with needle bearings and sealed. Four rollers furnished with each unit.

Pulleys and ropes: Unit is extended by spring torsion and retracted by balanced pulley and rope assembly. Pulleys are made of heavy duty galvanized iron. Rope is heavy duty, 1/4" diameter nylon with a 1,500 lb test break strength.

Casters: (for 3-sided units where extended platforms exist to facilitate rolling.) Solid rubber, on ball bearings, 450 lb test load.

Limited Warranty - The Beacon Door-Seal is warranted against Manufacturing defects in material and work-manship for one year from date of installation. Our responsibility under this agreement shall be entirely fulfilled by furnishing, FOB factory, a replacement product or parts; or at our sole option by refund of the invoice value of the product shown to our satisfaction to be so defective within such warranted periods. This warranty is in lieu of all other express warranties.

Approval
I, the undersigned, hereby approve this print
[] As drawn [] As marked
This includes my approval of design & dimensions
Signed: _____
Date: _____

Model: _____

No of Units: _____

(3) Three Sided: _____

(4) Four Sided: _____

Rolling: _____

Door Size: Width: _____ Dock Height: _____

Height A: _____

Dimensions Outside Unit:

Width C: _____ Height D: _____

Side Curtain Width E: _____

Header Curtain height F: _____

Distance between openings: _____

Clearance At Sides and Top of Door For Mounting: _____

Height of Dock Projection G: _____

Distance to nearest rail H: _____

Projection of unit (Open) I**: _____

Color: _____ Unit With Yellow Guide Stripe

* The bottom of the (4) sided unit is mounted one (1) foot below the dock door to allow for dock board or ramp placement.

** To determine unit open projection subtract 24" from dimension H.



Beacon Industries, Inc.
7321 S. Lindbergh Blvd.
St. Louis, MO 63125-4500 USA
PH: 314-487-7600 Fax: 314-487-0100