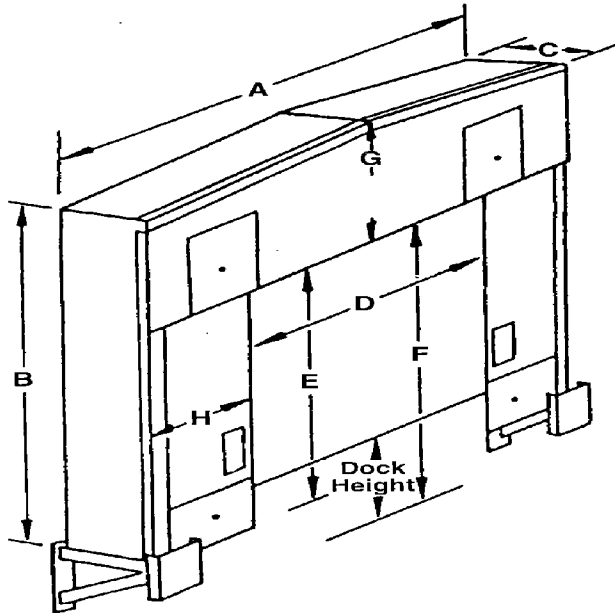




Door-Seals For Truck Dock Shelter



NORMAL CLEARANCES

Door Width	Clearance Ea. Side	Overall Shelter Width
8' 0"	21"	11' 6"
9' 0"	15"	11' 6"
10' 0"	9"	11' 6"
11' 0"	3"	11' 6"

Model: _____

No of Units: _____

Door Size: Wide: _____ Height: _____

Dock Bumper Projection: _____

Dock Height: _____

Approach: % of Incline _____
 % of Decline _____
 Level Degree _____

Dimensions Outside Unit:
Width A: _____ Height B: _____

Front Opening: Width D: 7' 0" Height E: _____

Projection of Unit C: _____

Distance Bottom Horizontal Pad to
Ground F: _____

Horizontal Pad Height G: _____

Side Curtain Width H: _____

Distance between door openings: _____

Clearance At Sides and Top of Door For
Mounting _____

Special Building Details: _____

Color: _____ Unit With Yellow Stripe

Reinforced Fiberglass Sides and Top: White polyurethane is secured to wood framework.

Fiberglass Stays: Stays to be contained between outer and inner covers and through-bolted to frame to assure constant pressure with truck.

Front and side Curtains: As specified by model, either neoprene, hypalon or vinyl.

Protective Bumpers: Special design heavy-duty steel bumpers: 21"(mm), 27", 30" and 39" (other projection avail).

Normal Projection: Recommended projection is 12" beyond bumper, leveler or point at which truck can proceed no further. Less than 12" truck entry is not functional. Standard projections available: 18", 24", 30" & 36". Non level approaches are crucial to truck shelter proj.

Cushions-Bottom Seal: 22 oz. per sq. yd. vinyl cover. Flexible resilient polyurethane foam core. Secured to the inside frame member at bottom on each side. Cushions seal to truck sides during use and return to shape upon exit.

Roof Slope: Frame top is peaked at center 7-1/2 degree angle to assure water is shed off to shelter sides and not into truck entrance area.

Mounting Hardware: All standard mounting hardware provided.

Limited Warranty - The Beacon Door-Seal is warranted against Manufacturing defects in material and work-manship for one year from date of installation. Our responsibility under this agreement shall be entirely fulfilled by furnishing, FOB factory, a replacement product or parts; or at our sole option by refund of the invoice value of the product shown to our satisfaction to be so defective within such warranted periods. This warranty is in lieu of all other express warranties.

Approval
I, the undersigned, hereby approve this print [] As drawn [] As marked
This includes my approval of design & dimensions
Signed: _____
Date: _____



Beacon Industries, Inc.
7321 S. Lindbergh Blvd.
St. Louis, MO 63125-4500 USA
PH: 314-487-7600 Fax: 314-487-0100