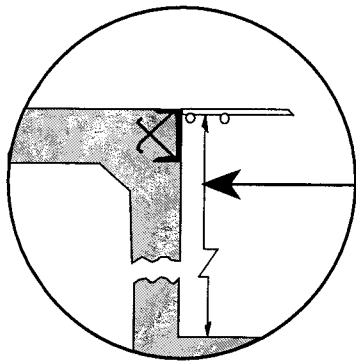
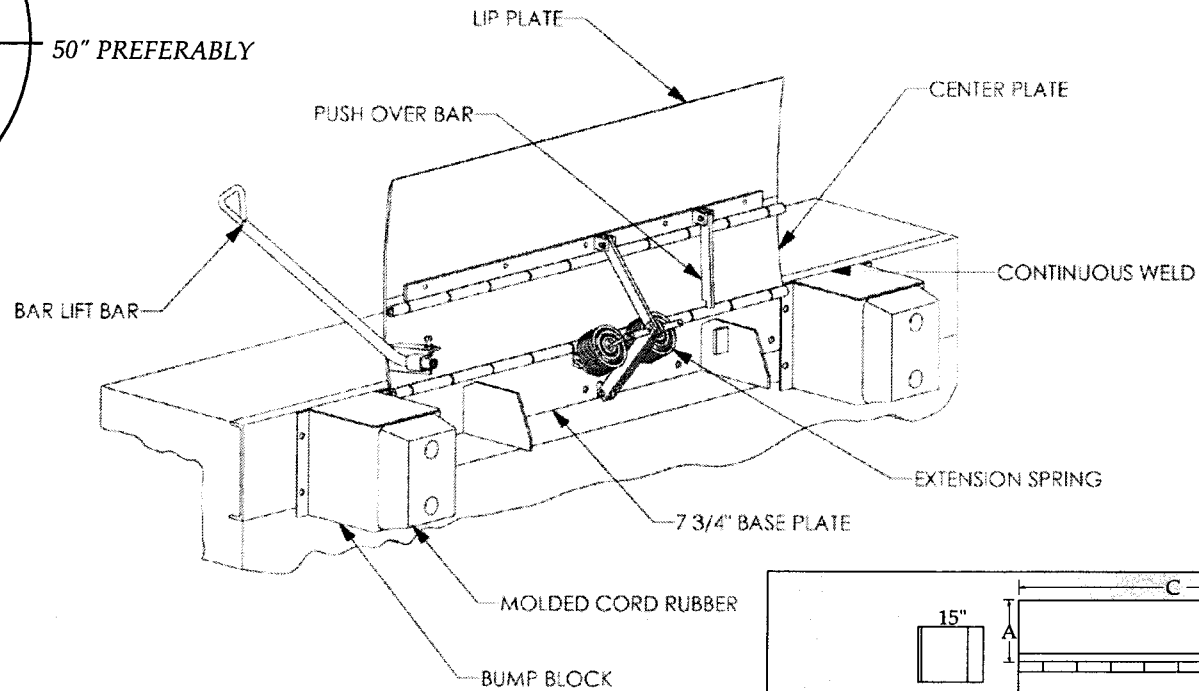


# BBLE Submittal Drawing



SECTION DETAIL



NOTES: Deck & Lip - 55,000 lb. min. yield steel.

	A	B	C	D	E	F
Model	Lip Length	Span	Deck Width	Overall Width	Rollover Capacity Lbs.	Plate Thickness
BBLE66	15"	27 3/4"	66"	96"	20,000	3/8"
BBLE66H	15"	27 3/4"	66"	96"	25,000	7/16"
BBLE66-17	17"	29 3/4"	66"	96"	20,000	3/8"
BBLE72	15"	27 3/4"	72"	102"	20,000	3/8"

SPECIFY JOB REQUIREMENTS FROM CHART

--	--	--	--	--	--

**BEACON INDUSTRIES, INC.**  
 12300 Old Tesson Road, St. Louis, MO 63128-2247  
 Ph: 314-487-7600 USA - Toll Free USA 800-454-7159 - Fax: 314-487-0100

**JOB**