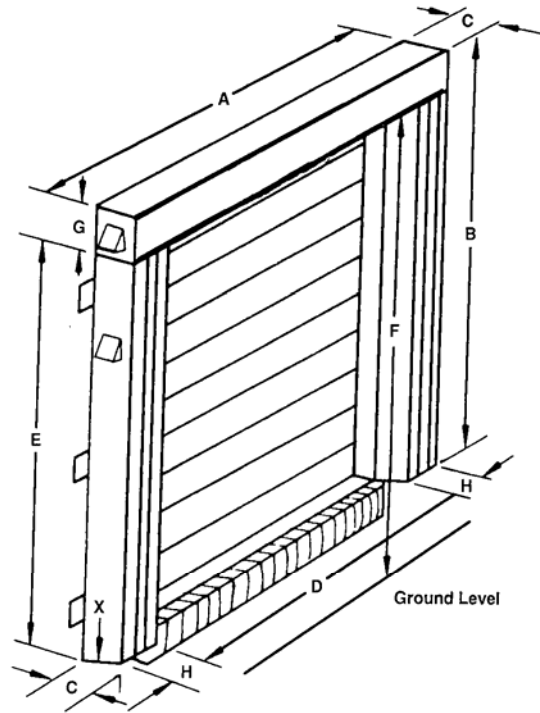




Door-Seals For Truck Docks



Model: _____

No of Units: _____

Door Size: Wide: _____ Height: _____

Dock Bumper Projection: _____

Dock Height: _____

Approach: % of Incline _____

% of Decline _____

Level Degree _____

Front Opening: Width D: _____ Height E: _____

Dimensions Outside Unit:

Width A: _____ Height B: _____

Projection of Unit C: Top _____ Bottom _____

Distance Bottom Horizontal Pad to Ground F: _____

Horizontal Pad Height G: _____

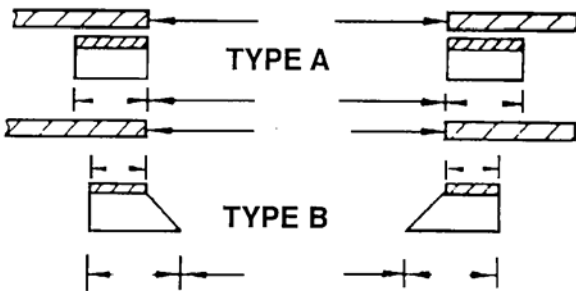
Side Pad Width H: Back _____ Face _____

Distance between door openings with more than one door _____

Clearance At Sides and Top of Door For Mounting _____

Color: _____ Unit With _____ Stripe

Specify Pad Type & Mounting



Limited Warranty - The Beacon Door-Seal is warranted against Manufacturing defects in material and work-manship for one year from date of installation. Our responsibility under this agreement shall be entirely fulfilled by furnishing, FOB factory, a replacement product or parts; or at our sole option by refund of the invoice value of the product shown to our satisfaction to be so defective within such warranted periods. This warranty is in lieu of all other express warranties.

Approval

I, the undersigned, hereby approve this print
[] As drawn [] As marked

This includes my approval of design & dimensions

Signed: _____

Date: _____



Beacon Industries, Inc.
12300 Old Tesson Rd.
St. Louis, MO 63128 USA
PH: 314-487-7600 Fax: 314-487-0100