

Ergonomic Solutions

# OWNER'S MANUAL

ALUMINUM QUICK LIFTS  
MODEL BPEL-88A & BPEL-100A  
STEEL QUICK LIFTS  
MODEL BPEL-88, BPEL-100 & BPEL-400

## CONTENTS

Warning and Safety Instructions .....	1	Warning Labels for BPEL-88A & BPEL-100A .....	7
Receiving Instructions .....	1	Chain Tension Adjustment for BPEL-88 .....	9
Loading Instructions .....	2	Parts for BPEL-88 & BPEL-100 .....	9 & 10
Operating Instructions .....	2	Warning Labels for BPEL-88 & BPEL-100 .....	11
Electrical Diagram .....	3	Chain Tension Adjustment for BPEL-400 .....	12
Troubleshooting Guide .....	4	Parts for BPEL-400 .....	13 & 14
Brake Adjustment for BPEL-88A & BPEL-100A ....	5	Warning Labels for BPEL-400 .....	15
Parts for BPEL-88A & BPEL-100A .....	6	Limited Warranty .....	16

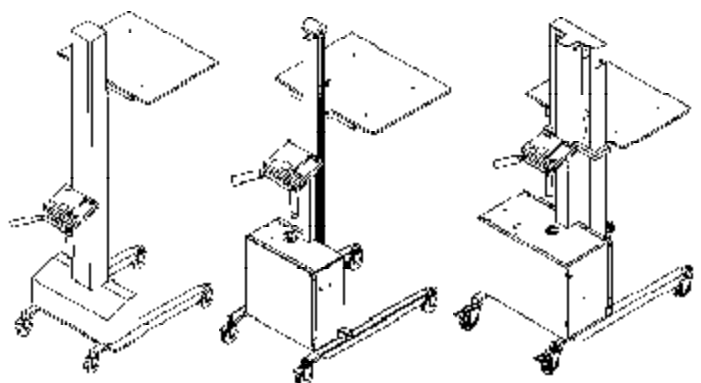
## WARNINGS & SAFETY INSTRUCTIONS

*Read owner's manual completely before operating unit!*

- Never go under deck if there is load on unit.
- Never operate unit unless you are watching it.
- Stand clear from load when operating.
- Do not operate unit unless all cover plates are securely in place.
- Do not continue to press the up-button if deck is not raising.
- Never exceed the maximum loading capacity  
 model BPEL-88A & BPEL-88 ..... 175 lbs.  
 model BPEL-100A & BPEL-100 ..... 125 lbs.  
 model BPEL-400-57 & BPEL-400-72 ..... 400 lbs.
- Load must be evenly distributed on deck to ensure stability.
- Consult factory for uneven loading.
- Always operate unit on a level surface to ensure stability.
- Always apply wheel brakes when unit is not being moved.
- Use caution in moving a loaded unit; avoid obstructions and floor defects.
- Remove load & disconnect power before working on unit.
- Consult factory if adding or performing any modifications to the original equipment.
- Use only maintenance parts supplied or approved by the manufacturer.
- Make sure all operator safety labels are in place.

## RECEIVING INSTRUCTIONS

Every unit is thoroughly tested and inspected prior to shipment. However, it is possible that the unit may incur damage during transit. If you see damage when unloading make a note of it on the SHIPPER RECEIVER. Remove all packing and strapping material, inspect for damage. IF DAMAGE IS EVIDENT, FILE A CLAIM WITH THE CARRIER IMMEDIATELY! Also, check the unit size, type of power unit, etc., to ensure the unit is correct for the intended application.



BPEL-88A  
BPEL-100A

BPEL-88  
BPEL-100

BPEL-400-57  
BPEL-400-72

## ALUMINUM & STEEL QUICK LIFTS

## LOADING INSTRUCTIONS

The load capacity rating as inscribed on the nameplate of your unit designates the net capacity, assuming the load is centered on the deck. This capacity must never be exceeded, as permanent damage or injury may result.

## OPERATING INSTRUCTIONS

Position of the deck is controlled by the raise/lower buttons on the touchpad. Speed is controlled from touchpad. A hand-held pendant control is optional.

## BATTERY RECHARGING & CARE

The battery is completely sealed and is, therefore, maintenance-free and drip proof.

The on-board charger operates on 115VAC and requires a 3-wire (grounded) extension cord. It monitors and reacts to the battery voltage, turning on the green LED on top of the charger when the batteries are fully charged. A fully charged battery in good condition should read 12.65 volts. Wait at least 1/2 hour after the charger has been turned off before checking the battery voltage.

Charge the batteries for at least four hours prior to first use. The charge interval of this unit will vary based on the load and frequency of use. Since the majority of applications require less than the maximum capacity and only intermittent use the actual time between charging will only be found through experience. Also, the batteries should be fully recharged each time. This will increase the battery life.

- Charge unit at least once every two weeks.
- Leave plugged in when not in used. Disconnect battery when storing the unit without power for more than one month.
- The battery charger can be connected for extended periods without damage to the batteries.
- Do not expose the lift or charger to rain or adverse conditions.

## RESPONSIBILITIES OF OWNERS/USERS

*It is the responsibility of the owner/user for the following:*

- 1) The unit must be inspected and maintained in accordance with the guidelines in this manual.
- 2) Any unit not in safe operating condition must be removed from service until it is returned to proper operating condition. All repairs and maintenance must be performed by qualified personnel.
- 3) Unit may only be used by authorized personnel. All operators must have read and understood all operating procedures and safety guidelines in this Owner's Manual.
- 4) Operator must ensure that all safety features of the unit are functioning properly before each use.

## PERIODIC MAINTENANCE INSTRUCTIONS



**BE SURE ALL POWER IS OFF BEFORE ATTEMPTING TO WORK ON THIS EQUIPMENT!**

**CAUTION: SERVICE WORK SHOULD BE PERFORMED ONLY BY TRAINED & QUALIFIED PERSONNEL**

Before Each Use Check For The Following:

- 1) Structural deformation of frame.
  - 2) Proper operation of casters.
  - 3) Unusual noise or binding.
  - 4) Signs of wear, fatigue or loosening of any moving parts and contact areas.
  - 5) Check chain tension and adjust if applicable (see chain tension adjustment section).
- WARNING!**  
**Over tensioning of the chain can cause potential damage and/or injury.**
- 6) Wear on the chain roller bushings.
  - 7) Cover plates being securely in place.

**DO NOT use if there are any of the above!**

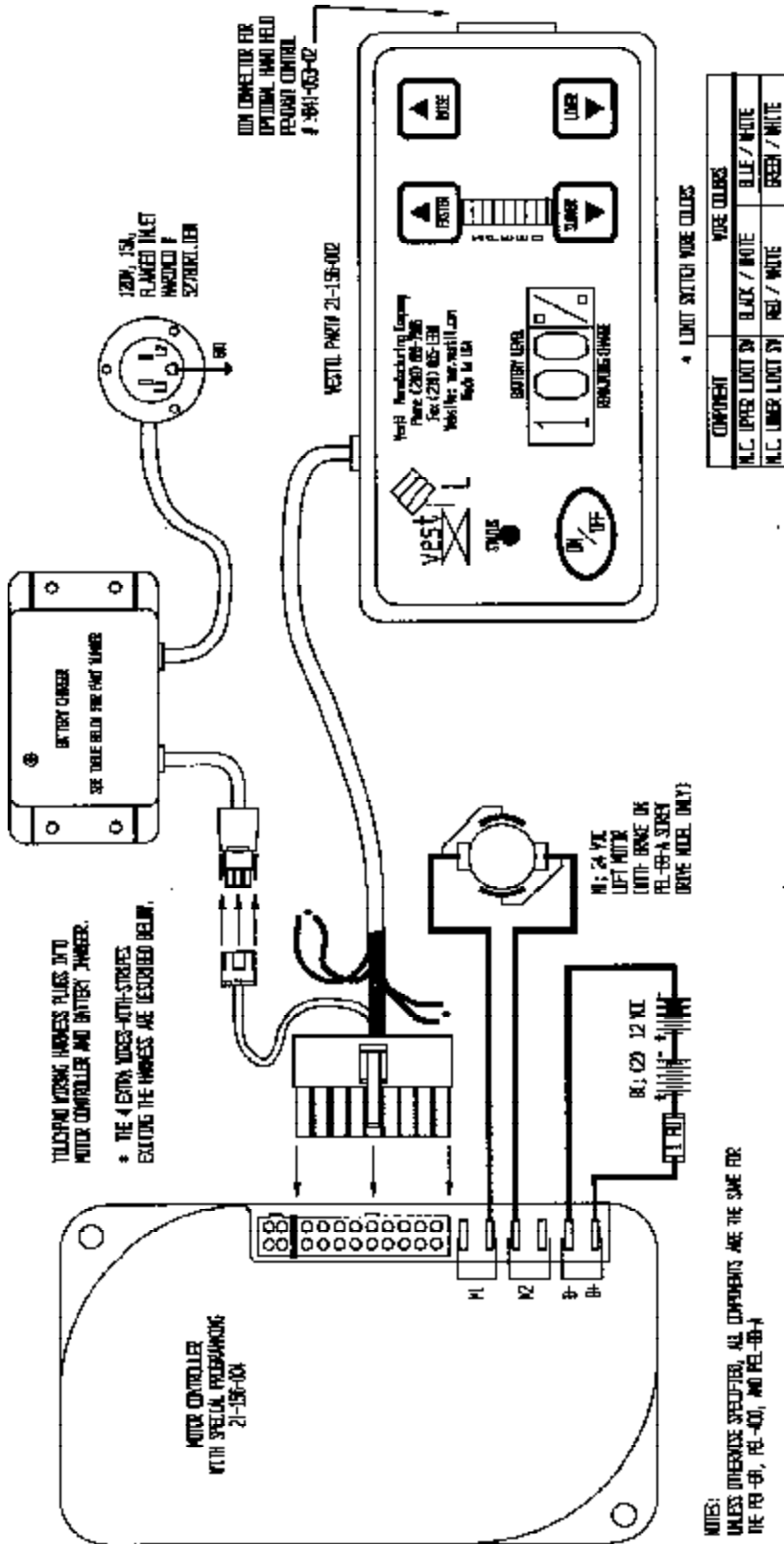
Monthly Inspections

- 1) Check for frayed or loose wires.
- 2) Clean off dirt and debris at all contact areas.
- 3) Make sure all warning and safety labels are in place and in good condition.
- 4) Battery Condition

## Ordering Replacement or Extra Parts

Our company takes pride in using the finest available parts for our equipment. We are not responsible for equipment failure resulting from the use of unapproved replacement parts. To order replacement or extra parts for your equipment contact Customer Service at the factory. In any correspondence with the factory please include the Serial Number which is inscribed on the nameplate of the piece of equipment. Use only the part numbers provided in this Owner's Manual.

# ELECTRICAL DIAGRAM FOR ALUMINUM & STEEL QUICKLIFTS



COMPONENT	BPEL-88	BPEL-88-A	BPEL-400
MOTOR	B21-641-001	B21-641-003	B21-641-002
BATTERIES; B1	B21-139-001	B21-139-001	B21-139-002
IFU	BUS MOL 15 (TIME DELAY 32v 15A)	BUSS MOL 15 (TIME DELAY 32v 15A)	40 AMP BREAKER
CHARGER	B21-034-002	B21-034-002	B21-034-001
ILS; ROLLER ARM	NONE	NONE	B01-022-001
PART NO.	B21-124-022	B21-124-031	B21-124-023

# TROUBLESHOOTING QUICK REFERENCE GUIDE FOR STEEL QUICKLIFTS



**BE SURE ALL POWER IS OFF AND ALWAYS UNLOAD LIFT BEFORE ATTEMPTING TO  
WORK ON THIS EQUIPMENT!**

**CAUTION: SERVICE WORK SHOULD BE PERFORMED ONLY BY TRAINED & QUALIFIED PERSONNEL**

Observation	Possible Cause	Remedy
1.) Power unit does not run when control is operated.	<ul style="list-style-type: none"> <li>a. Battery voltage low. (&lt; 17) (LED flashes •••••)</li> <li>b. Bad wiring connection / broken wire in circuit.</li> <li>c. Hand control's plug loose in the touchpad socket.</li> <li>d. Problem with moror/control (check for LED flashes code on the touchpad).</li> <li>e. Unit is plugged into a 115V circuit.</li> </ul>	<ul style="list-style-type: none"> <li>a. Charge battery.</li> <li>b. Visually inspect wires, do continuity checks with meter. Refer to electrical diagram.</li> <li>c. Push plug in place.</li> <li>d. Consult diagnostics page.</li> <li>e. Unplug cord.</li> </ul>
2.) Motor hums, platform would not move.	<ul style="list-style-type: none"> <li>a. Battery voltage low.</li> <li>b. Platform overloaded.</li> <li>*c. Chain/Master link broken.</li> <li>d. Obstruction/jammed chain.</li> </ul>	<ul style="list-style-type: none"> <li>a. Charge battery.</li> <li>b. Check load; reduce if necessary.</li> <li>c. Inspect chain, rollers, roller track, and pulley assembly.</li> <li>d. Clear Obstruction.</li> </ul>
3.) Unit turns off before reaching the fully raised or lowered height.	<ul style="list-style-type: none"> <li>a. Battery voltage low.</li> <li>b. Platform roller bearing obstructed or is binding.</li> <li>c. The "platform raised" limit switch is engaged too soon, or is bad (PEL-400 only).</li> <li>d. Platform overloaded.</li> </ul>	<ul style="list-style-type: none"> <li>a. Charge battery.</li> <li>b. Inspect roller track for interference or damage.</li> <li>c. Adjust the limit switch pulley spring's tension; test switch with meter.</li> <li>d. Check load; reduce if necessary.</li> </ul>
4.) Over/under temp cutback. (LED flashes ••)	<ul style="list-style-type: none"> <li>a. Temperature &gt; 92°C or &lt; -25°C.</li> </ul>	<ul style="list-style-type: none"> <li>a. Check load; reduce if necessary.</li> </ul>
5.) Pot high or low signal out of range. (LED flashes ••• or •••• or ••••••••)	<ul style="list-style-type: none"> <li>a. Throttle input wire open or shorted.</li> <li>b. Throttle pot defective.</li> </ul>	<ul style="list-style-type: none"> <li>a. Verify wiring not damaged.</li> <li>b. Consult factory.</li> </ul>
6.) Speed limit pot fault. (LED flashes ••••)	<ul style="list-style-type: none"> <li>a. Speed limit pot wire(s) broken or shorted.</li> <li>b. Broken speed limit potentiometer.</li> </ul>	<ul style="list-style-type: none"> <li>a. Verify wiring if not damaged.</li> <li>b. Consult factory.</li> </ul>
7.) Precharge Fault (LED •••••)	<ul style="list-style-type: none"> <li>a. Controller failure; low battery voltage.</li> </ul>	<ul style="list-style-type: none"> <li>a. Charge battery.</li> </ul>
8.) Current sense voltage fault (LED •••••)	<ul style="list-style-type: none"> <li>a. Short in motor or in motor wiring.</li> <li>b. Controller failure.</li> </ul>	<ul style="list-style-type: none"> <li>a. Verify motor wiring.</li> <li>b. Consult factory.</li> </ul>
9.) Motor Clicks	<ul style="list-style-type: none"> <li>a. Overloaded deck.</li> </ul>	

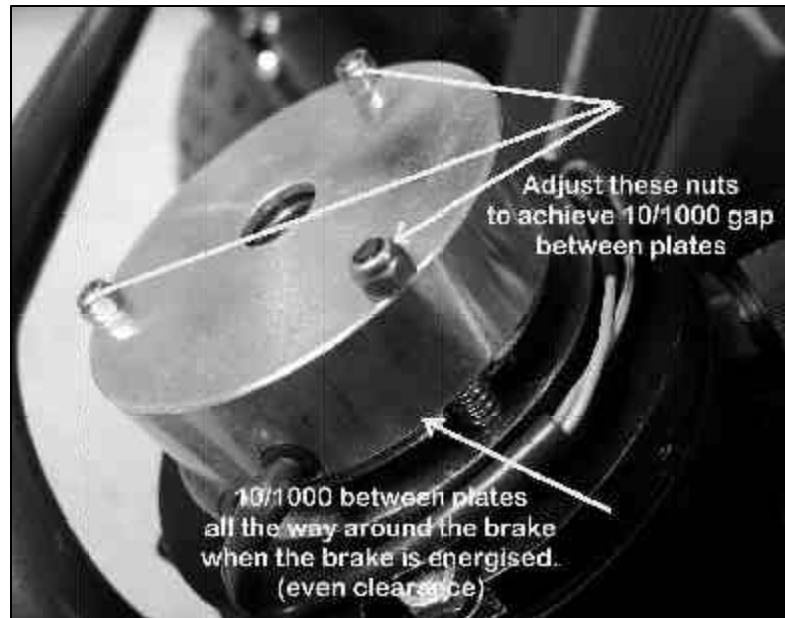
**NOTE: TOUCHPAD IS NOT SERVICEABLE.  
DO NOT OPEN TOUCHPAD OR WARRANTY WILL BE VOID!!!**

## BRAKE ADJUSTMENT FOR ALUMINUM QUICKLIFT • MODEL BPEL-88A & BPEL-100A

If brake does not disengage properly when platform is moving, make the following adjustment.

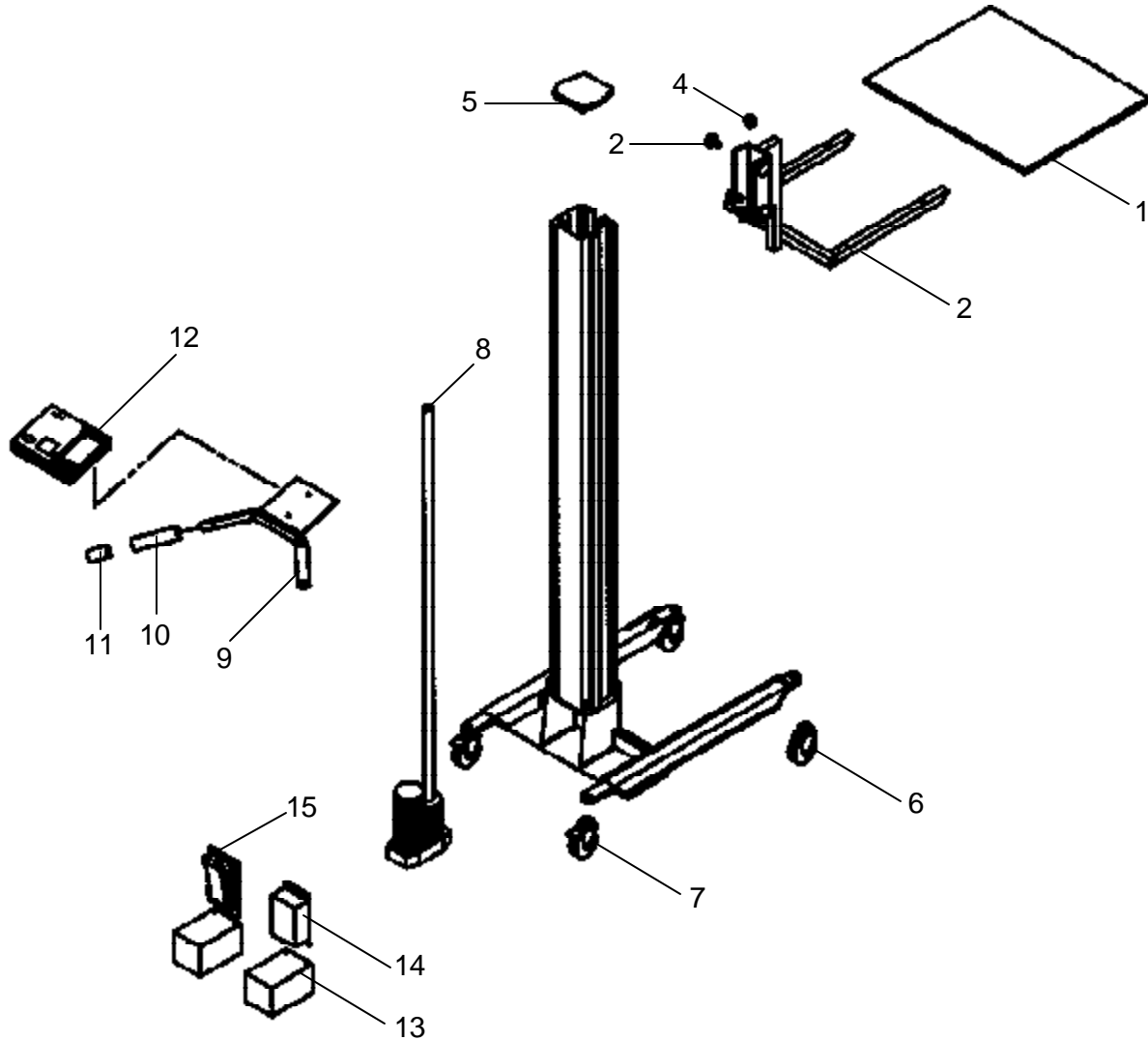
Remove shroud to expose motor and brake assembly.

Use feeler gauges to ensure 0.010" air gap between the brake pad and plate while the platform is in motion.



Verify operation and put cover on unit.

**PARTS DRAWING FOR ALUMINUM QUICKLIFT  
 MODEL BPEL-88A & BPEL-100A**



**PARTS IDENTIFICATION FOR ALUMINUM QUICKLIFT  
 MODEL BPEL-88A & BPEL-100A**

ITEM NO.	DESCRIPTION	ENGINEER NO.	QTY
1	Deck - 24"W x 19"L	B21-013-056	1
2	Deck Assembly	B42-513-001	1
3	Roller with Nylock Nut 5/16" - 18 unc	B20-110-008	4
4	Nut, Threaded ACME	B42-145-001	1
5	Cover, Top Mast	B42-024-002	1
6	Caster, Rigid	B16-132-070	2
7	Caster, Swivel with Brake	B16-132-071	2
8	Drive Assembly (screw drive) (PEL-88A)	B21-641-003	1
8	Drive Assembly (screw drive) (PEL-100A)	B21-641-004	1
9	Handle Assembly	B42-525-001	1
10	Handle Grip	B15-025-006	2
11	Handle End Cap	n/a	2
12	Controller, Touchpad	B21-156-002	1
13	Battery (12V each)	B21-139-001	2
14	Battery Charger (24V 3 amp)	B21-034-002	1
15	Controller, Motor	B21-156-004	1
16	Cover Power Unit (not shown)	B42-024-001	1

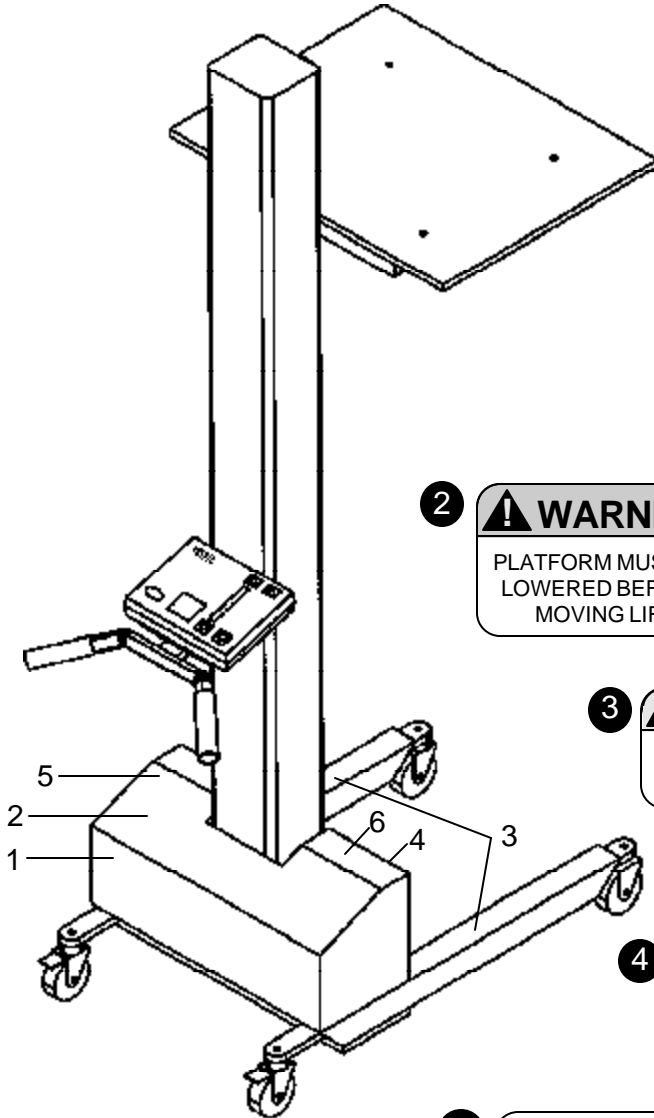
\* Not Shown in Diagram

# WARNING LABEL IDENTIFICATION

## For Aluminum Quick Lift • Model BPEL-88A & BPEL-100A

MAKE SURE ALL WARNING LABELS ARE IN PLACE!

\*Product safety signs or labels should be periodically inspected and cleaned by the product users as necessary to maintain good legibility for safe viewing distance ... ANSI 535.4 (10.21)  
Contact manufacturer for replacement labels.



**1**

<b>DANGER</b> ⚠	SHUT POWER OFF AND CONSULT OWNERS MANUAL BEFORE WORKING ON THIS EQUIPMENT
<b>PELIGRO</b> ⚠	CORTE LA Y CONSULTE EL MANUAL DEL PROPIETARIO ANTES DE TRABAJAR EN ESTE EQUIPO
<b>DANGER</b> ⚠	COUPER LE COURANT ET CONSULTER LE MANUEL D'UTILISATION AVANT DE TRAVAILLER SUR CET ÉQUIPEMENT

221

**2**

⚠ WARNING	⚠ AVISO	⚠ AVERTISSEMENT
PLATFORM MUST BE LOWERED BEFORE MOVING LIFT	LA PLATAFORMA DEBE DE ESTAR EN LA POSICIÓN BAJA ANTES DE MOVER EL ELEVADOR	LA PLATE-FORME DOIT ÊTRE ABAISSÉE AVANT D'ACTIVER LE MONTE-CHARGE

220

**3**

⚠ WARNING	⚠ AVISO	⚠ AVERTISSEMENT
KEEP CLEAR OF PINCH POINT	MANTENGASE ALEJADO DE PUNTO DE CORTE	SE TENIR À DISTANCE DU POINT DE PINCEMENT

208

**4**

⚠ WARNING	⚠ AVISO	⚠ AVERTISSEMENT
KEEP CLEAR WHEN IN USE	MANTENGASE ALEJADO CUANDO SE ESTA OPERANDO	SE TENIR À DISTANCE LORS DU FONCTIONNEMENT

220

**5**

Charge unit at least every two weeks or leave plugged in when not in use. Disconnect battery when storing unit without power for more than one month.

Cargue la unidad por lo menos cada dos weeks o váyase enchufado cuando no en uso. Desconecte la batería al salvar la unidad sin el ower para más de un mes.

Charger l'unité au moins deux fois par semaine ou laisser branché lorsque la batterie lorsque l'unité est rangée et ne va pas fonctionner pendant plus d'un mois.

454

**6**

<b>⚠ DANGER</b>	TO AVOID PERSONAL INJURY READ OWNER'S MANUAL BEFORE OPERATING OR REPAIRING SCISSOR LIFT		DO NOT PUT HANDS, FEET OR OBJECTS UNDER TOP. LOWER PLATFORM SLOWLY.		DO NOT WORK UNDER LIFT WITHOUT SAFETY BLOCK OR WHILE LOADED. KEEP CLEAR OF MOVING SCISSOR LEG MECHANISM.		DO NOT STAND, SIT OR RIDE ON LIFT
<b>⚠ PELIGRO</b>	PARA EVITAR DAÑOS PERSONALES LEA EL MANUAL DEL PROPIETARIO ANTES DE OPERAR O REPARAR EL ELEVADOR DE TIJERAS		NO PONGA MANOS, PIES U OBJETOS DEBAJO DEL BORDE. DESCENDA LA PLATAFORMA LENTAMENTE.		NO TRABAJE DEBAJO DEL ELEVADOR SIN LOS FRENOS DE SEGURIDAD O CUANDO ESTÉ CARGADO. MANTENGASE ALEJADO DEL MECANISMO DE TIJERA EN MOVIMIENTO.		NO SE SIENTE, SE PARE.O VIAJE EN EL ELEVADOR
<b>⚠ ATTENTION</b>	POUR ÉVITER TOUTE BLESSURE PERSONNELLE LIRE LE MANUEL D'UTILISATION AVANT DE METTRE EN MARCHÉ OU AVANT DE RÉPARER L'ÉLEVATEUR CISEAU		NE PAS METTRE LES MAINS, LES PIEDS OU TOUT OBJET SOUS LE PLATEAU SUPÉRIEUR. DESCENDRE LA PLAT-FORME LENTEMENT		NE PAS TRAVAILLER SOUS L'ÉLEVATEUR SANS BLOCS DE SÉCURITÉ OU LORSQU'IL EST CHARGÉ. RESTER À L'ÉCART DU MÉCANISME CISEAU LORSQUE L'ÉLEVATEUR EST EN FONCTIONNEMENT.		NE PAS SE TENIR DEBOUT, S'ASSEOIR OU MONTER SUR L'ÉLEVATEUR

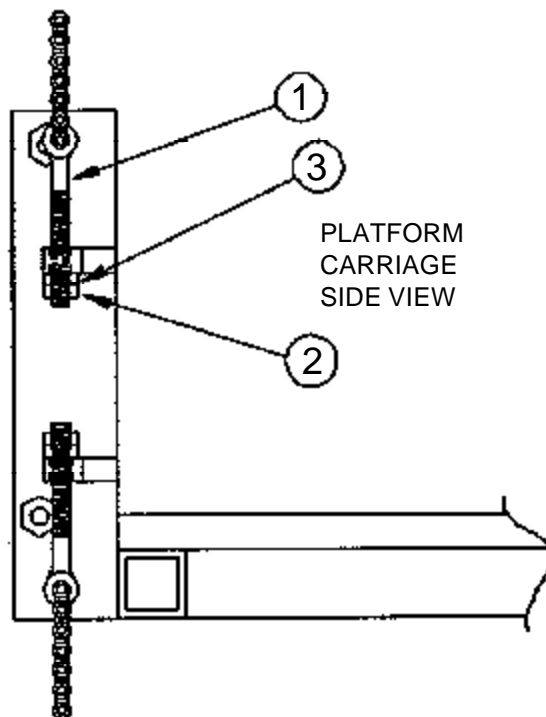
207

## INSTRUCTIONS FOR ADJUSTING THE LIFTING CHAIN TENSION FOR STEEL QUICKLIFT • MODEL BPEL-88

### READ ALL INSTRUCTIONS BEFORE PROCEEDING!

**Only trained and qualified service personnel should work on this equipment!  
Lock out all potential energy sources before attempting this installation!**

- 1) Remove any load that is on the machine and run the platform up until it is raised halfway up the mast.
- 2) Above the platform, locate the tensioning bolts (item 1; one at each end of the chain). Loosen the two jamb nuts (item 2) by turning them in a counterclockwise direction. (Use a 7/16" wrench on the nut, and another 7/16" wrench to keep the chain from turning.) Loosen each until it is at the end of its respective chain tension bolt.
- 3) Run the platform all the way up to the top of the mast until it stops moving.
- 4) Again using the 7/16" wrenches, turn the tensioning nuts (item 3) at each end of the chain until you can pull the chain 3" away from the front of the mast at its midheight. Be sure to turn each nut about the same amount.
- 5) Lower the platform to the bottom of the mast, holding the "Lower" pushbutton for two seconds after the platform hits bottom. If the chain "jumps" onto the sprocket, raise the platform up again. Tighten one of the tensioning nuts another 1/2 turn (clockwise) and repeat the test.
- 6) Raise the platform back up halfway to the top of the mast and turn each of the jamb nuts until they are against the tensioning nuts; then tighten each one wrench-tight.



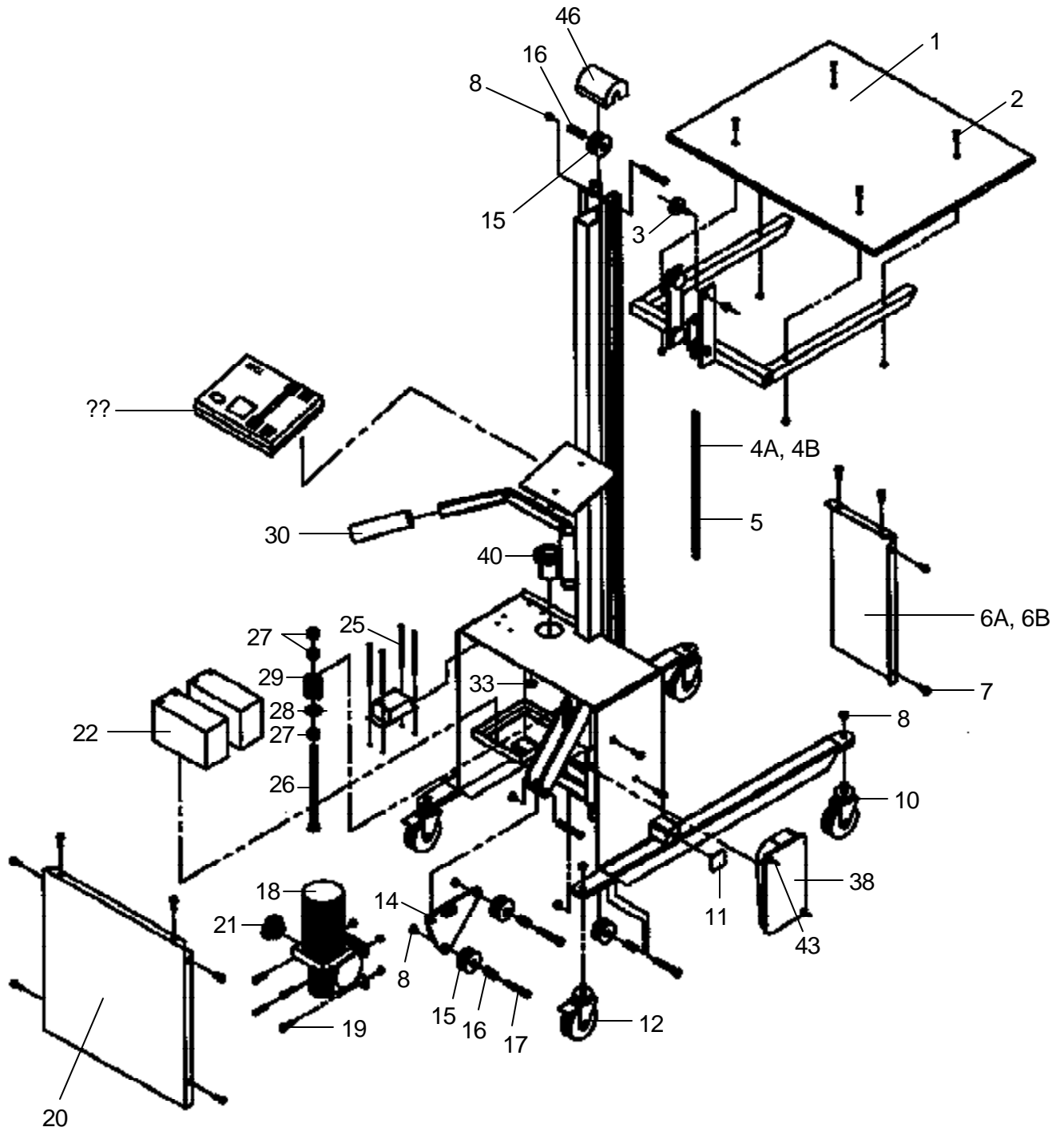
#### CAUTIONS:

- Double-check that both of the holding nuts have been adequately tightened down before placing the machine back into service.

#### NOTES:

- The chain's tension, the tension bolts, and the adjustment nuts should all be checked monthly.

# PARTS DRAWING FOR STEEL QUICKLIFT MODEL BPEL-88 & BPEL-100



**PARTS IDENTIFICATION FOR STEEL QUICK LIFT  
MODEL BPEL-88 & BPEL-100**

ITEM NO.	DESCRIPTION	ENGINEER NO.	PART NO.	QTY
1	Deck 24"W x 19"L	B21-013-057	BPEL-DCK	1
2	Screw & nylock nut,	n/a	n/a	-
3	Roller w/nylock nut, 5/16"-18UNC	B20-110-008	BPEL-RNYKNT	4
4A	Chain, no.35 x 127" lg (PEL-88)	B21-042-012	BPEL-CHN127	1
4B	Chain no. 35 x 157" lg (PEL-100)	B21-042-013	BPEL-CHN157	1
5	Chain Connecting Link 41-1/2" pitch - 1/4 width	B21-042-014	BPEL-CC	1
6A	Front Cover (left side)	B21-024-013	BPEL-FCLS	1
6B	Front cover (right side)	B21-024-014	BPEL-FCRS	1
7	Screw, 1/4"-20UNC x 3/4" (Type F, HWH)	n/a	n/a	-
8	Nylock nut, 3/8"-16UNC	n/a	n/a	-
10	Caster w/o brake	B16-132-061	BPEL-CSTR	2
11	Plastic cap	B21-024-016	BPEL-PC	2
12	Caster w/Brake (3 x 1-1/2)	B16-132-006	BPEL-CSTBRK	2
*13	Screw, 3/8-16 unc x 5/8 (FHSCS)	n/a	n/a	-
14	Pulley bracket	B21-016-050	BPEL-PLYBRK	1
15	Chain Roller (plastic)	B21-042-011	BPEL-CHRLR	4
16	Roller Bearing	B21-13-027	BPEL-RLRBR	4
17	Bolt 3/8-16 unc x 1-3/4" (HHCS)	n/a	n/a	-
18	Motor (Leeson)	B21-641-001	BPEL-MTR	1
19	Bolt & Nylock Nut 1/4-20 unc x 1-1/4	n/a	n/a	-
20	Back Cover	B01-024-012	BPEL-BC	1
21	Sprocket 5/8" bore w/keyway & set screw	B21-042-015	BPEL-SKT5/8	1
22	Battery	B21-139-001	BPEL-BATT	2
24	Battery Charger	B21-034-002	BPEL-BATTCHR	1
25	Bolt & Nylock Nut & Washer - 1/8-27 unc x 4 (HHCS)	n/a	n/a	-
26	Spring Rod Bolt 1/2-13 unc x 8	n/a	n/a	-
27	Spring Rod Nut 1/2-13 unc	n/a	n/a	-
28	Washer 1/2 x 1-1/2 Fender Washer 2 plated	n/a	n/a	-
29	Spring	B21-146-004	BBPEL-SPG	1
30	Handle Grip	B15-025-006	BBPEL-HG	2
31	Handle Control w/Coil Cord (optional)	B99-522-001	BBPEL-CNTL	1
32	Cord Grip	n/a	n/a	-
33	Cord Grip Connector Nut 1/2"	n/a	n/a	-
35	Bolt 3/8-16 unc x 2-1/4 (HHCS)	n/a	n/a	-
*36	Register Terminal Strip Assembly	B21-533-001	BPEL-RTSA	1
*37	Fuse Holder	B99-034-001	BPEL-FHLDR	1
38	Motor Controller	B21-156-004	BPEL-MTRCNTL	1
	Fuse 32v	BBUSS MDL 15		
39	Touchpad	B21-156-002	BPEL-TCHPD	1
40	Recessed 115V, 3 Prong Plug	n/a	n/a	-
*42	Bolt Control Mt. 8-32 unc x 1	n/a	n/a	-
43	Spacer, Motor Controller 8-32 x 1/2	n/a	n/a	-
*44	Bolts, Chain Adjusting 1/4-20 x 2 eyebolt	n/a	n/a	-
*45	Nuts, Chain Adjusting Bolt 1/4-20	n/a	n/a	-
46	Chain Cover	B21-524-001	BPEL-CHNCVR	1
47	Chain Cover Retaining Bolts (400 series only)			
48	Bolt (400 series only)			
49	Nut 8-32 unc	n/a	n/a	
50	Washer (400 series only)			
51	Nuts, Motor Controller 8-32 unc	n/a	n/a	

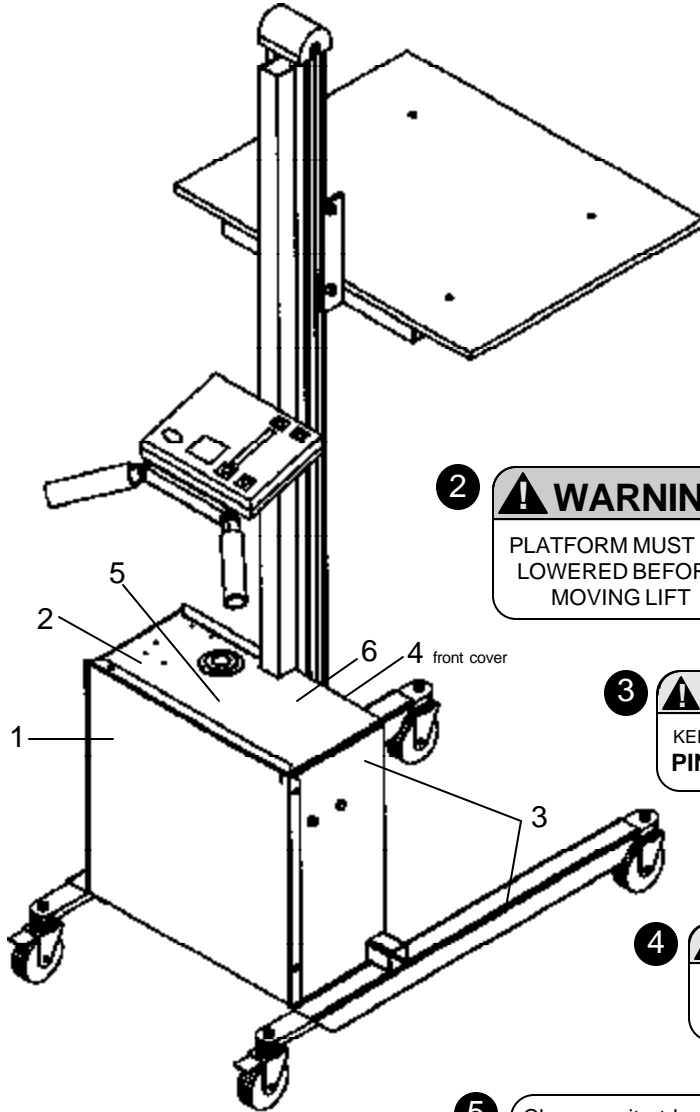
\* Not Shown in Diagram

# WARNING LABEL IDENTIFICATION

## For Steel Quick Lift • Model BPEL-88 & BPEL-100

MAKE SURE ALL WARNING LABELS ARE IN PLACE!

\*Product safety signs or labels should be periodically inspected and cleaned by the product users as necessary to maintain good legibility for safe viewing distance ... ANSI 535.4 (10.21)  
Contact manufacturer for replacement labels.



**1**

<b>DANGER</b> ⚠	SHUT POWER OFF AND CONSULT OWNERS MANUAL BEFORE WORKING ON THIS EQUIPMENT
<b>PELIGRO</b> ⚠	CORTE LA Y CONSULTE EL MANUAL DEL PROPIETARIO ANTES DE TRABAJAR EN ESTE EQUIPO
<b>DANGER</b> ⚠	COUPER LE COURANT ET CONSULTER LE MANUEL D'UTILISATION AVANT DE TRAVAILLER SUR CET ÉQUIPEMENT

221

**2**

⚠ WARNING	⚠ AVISO	⚠ AVERTISSEMENT
PLATFORM MUST BE LOWERED BEFORE MOVING LIFT	LA PLATAFORMA DEBE DE ESTAR EN LA POSICIÓN BAJA ANTES DE MOVER EL ELEVADOR	LA PLATE-FORME DOIT ÊTRE ABAISSÉE AVANT D'ACTIVER LE MONTE-CHARGE

220

**3**

⚠ WARNING	⚠ AVISO	⚠ AVERTISSEMENT
KEEP CLEAR OF PINCH POINT	MANTENGASE ALEJADO DE PUNTO DE CORTE	SE TENIR À DISTANCE DU POINT DE PINCEMENT

208

**4**

⚠ WARNING	⚠ AVISO	⚠ AVERTISSEMENT
KEEP CLEAR WHEN IN USE	MANTENGASE ALEJADO CUANDO SE ESTA OPERANDO	SE TENIR À DISTANCE LORS DU FONCTIONNEMENT

220

**5**

Charge unit at least every two weeks or leave plugged in when not in use. Disconnect battery when storing unit without power for more than one month.

Cargue la unidad por lo menos cada dos weeks o váyase enchufado cuando no en uso. Desconecte la batería al salvar la unidad sin el ower para más de un mes.

Charger l'unité au moins deux fois par semaine ou laisser branché lorsque la batterie lorsque l'unité est rangée et ne va pas fonctionner pendant plus d'un mois.

454

**6**

<b>DANGER</b> ⚠	TO AVOID PERSONAL INJURY READ OWNER'S MANUAL BEFORE OPERATING OR REPAIRING SCISSOR LIFT	DO NOT PUT HANDS, FEET OR OBJECTS UNDER TOP. LOWER PLATFORM SLOWLY.	DO NOT WORK UNDER LIFT WITHOUT SAFETY BLOCK OR WHILE LOADED. KEEP CLEAR OF MOVING SCISSOR LEG MECHANISM.	DO NOT STAND, SIT OR RIDE ON LIFT
<b>PELIGRO</b> ⚠	PARA EVITAR DAÑOS PERSONALES LEA EL MANUAL DEL PROPIETARIO ANTES DE OPERAR O REPARAR EL ELEVADOR DE TIJERAS	NO PONGA MANOS, PIES U OBJETOS DEBAJO DEL BORDE. DESCienda LA PLATAFORMA LENTAMENTE.	NO TRABAJE DEBAJO DEL ELEVADOR SIN LOS FRENOS DE SEGURIDAD O CUANDO ESTÉ CARGADO. MANTENGASE ALEJADO DEL MECANISMO DE TIJERA EN MOVIMIENTO.	NO SE SIENTE, SE PARE.O VIAJE EN EL ELEVADOR
<b>ATTENTION</b> ⚠	POUR ÉVITER TOUTE BLESSURE PERSONNELLE LIRE LE MANUEL D'UTILISATION AVANT DE METTRE EN MARCHÉ OU AVANT DE RÉPARER L'ÉLEVATEUR CISEAU	NE PAS METTRE LES MAINS, LES PIEDS OU TOUT OBJET SOUS LE PLATEAU SUPÉRIEUR. DESCENDRE LA PLAT-FORME LENTEMENT	NE PAS TRAVAILLER SOUS L'ÉLEVATEUR SANS BLOCS DE SÉCURITÉ OU LORSQU' IL EST CHARGÉ. RESTER À L'ÉCART DU MÉCANISME CISEAU LORSQUE L'ÉLEVATEUR EST EN FONCTIONNEMENT.	NE PAS SE TENIR DEBOUT, S'ASSEoir OU MONTER SUR L'ÉLEVATEUR

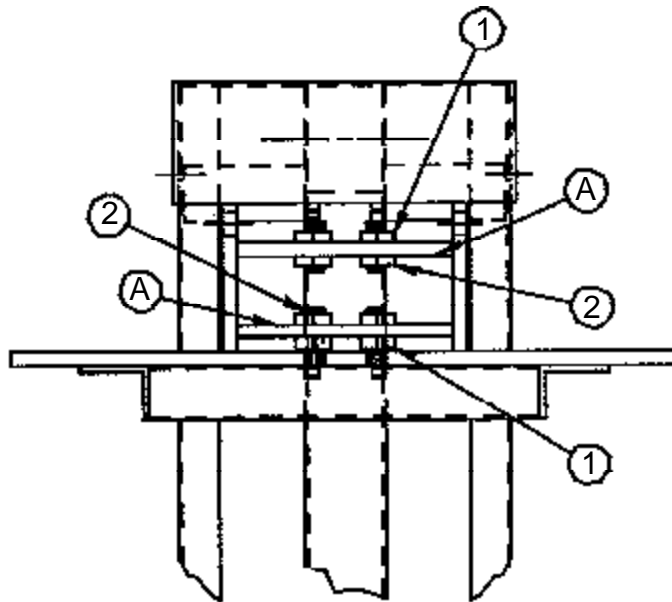
207

## INSTRUCTIONS FOR ADJUSTING THE LIFTING CHAIN TENSION FOR STEEL QUICKLIFT • MODEL BPEL-400

### READ ALL INSTRUCTIONS BEFORE PROCEEDING!

**Only trained and qualified service personnel should work on this equipment!  
Lock out all potential energy sources before attempting this installation!**

- 1) Remove any load that is on the machine and run the platform up until it is raised halfway up the mast.
- 2) Above the platform, at each end of each chain, locate and turn the four holding nuts (closest to the chains; item 1) in a counterclockwise direction. (Use a 3/4" wrench on the nut, and a 1/2" wrench to keep the chain from turning.) Move the nuts as close as possible to the chains ends.
- 3) Run the platform all the way to the top of the mast until it stops moving.
- 4) Again using 3/4" and 1/2" wrenches, turn each of the four tensioning nuts (closest to the ends of the chain tensioning bolts; item 2) clockwise until you can only pull the chain 2-1/2" away from the front of the mast at its midheight. Be sure to turn each nut the same by measuring them for equal horizontal slack dimension.
- 5) Lower the platform to the mast, holding the "Lower" pushbutton for two seconds after the platform hits bottom. If the chains "jump" on the sprockets, tighten the tensioning nuts another 1/2 turn (clockwise) and repeat the test.
- 6) Raise the platform back up halfway to the top of the mast and turn each of the four holding nuts until they touch against the tensioning brackets (item A), and then tighten each one wrench-tight.



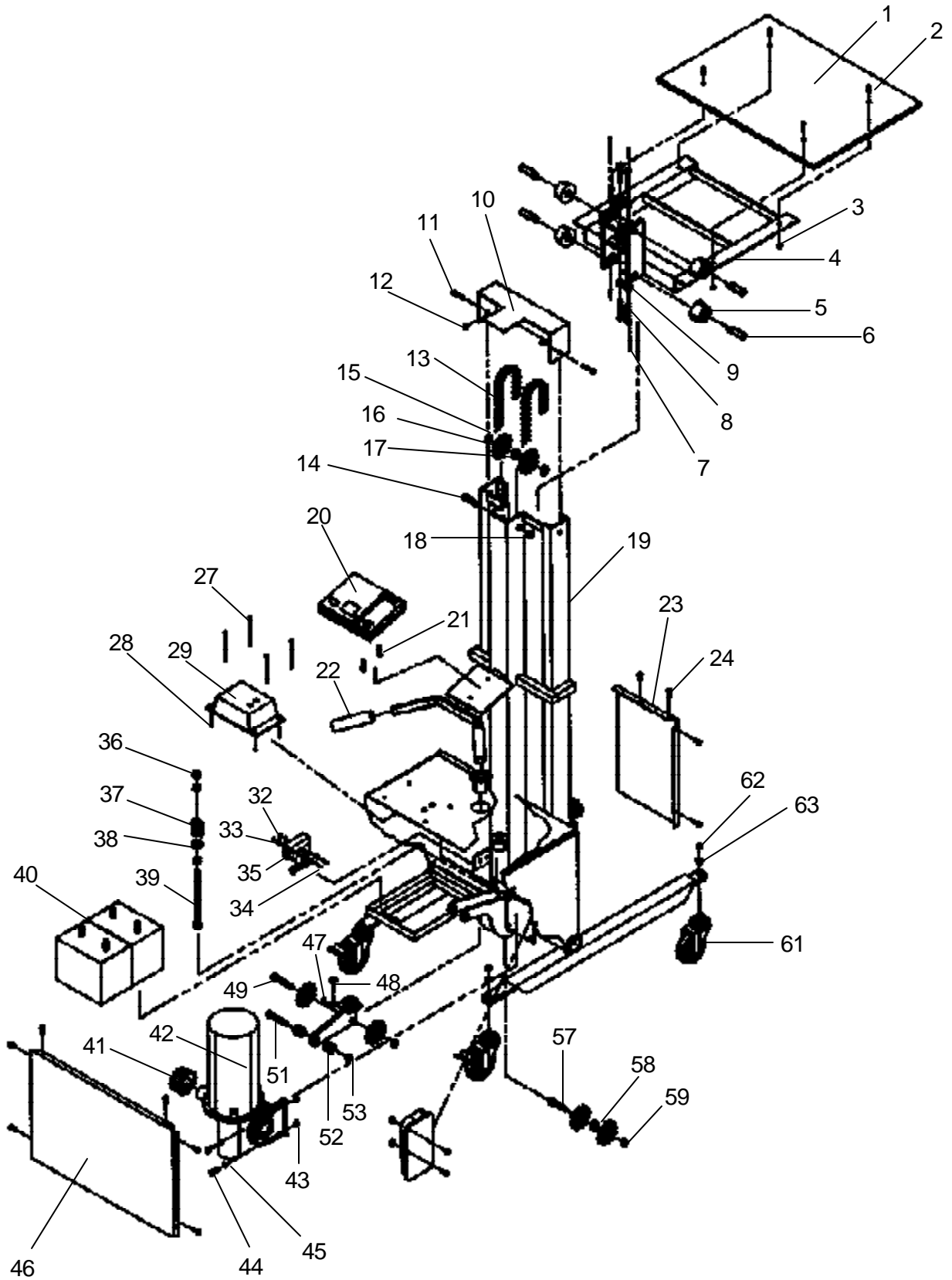
### CAUTIONS:

- Take care to maintain equal tension on both of the lifting chains.
- Double-check that all four of the holding nuts have been adequately tightened down before placing the machine back into service.

### NOTES:

- The chain's tension, the tension bolts, and the adjustment nuts should all be checked monthly.

# PARTS DRAWING FOR STEEL QUICKLIFT MODEL BPEL-400-57 & BPEL-400-72



**PARTS IDENTIFICATION FOR STEEL QUICK LIFT  
 MODEL BPEL-400-57 & BPEL-400-72**

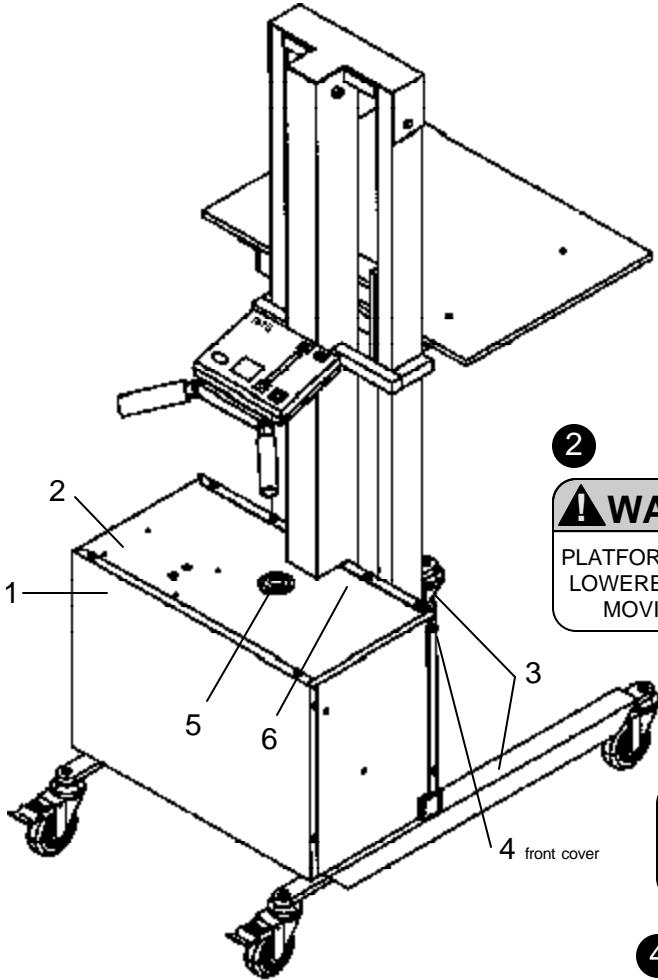
ITEM NO.	DESCRIPTION	ENGINEER NO.	QTY
1	Deck, 24"W x 20"L	B21-013-064	1
2	Bolt, 10-32 x 1	B24213	4
3	Nut, 10-32	B37015	4
4	Deck, Steel Frame	B21-513-035	1
5	Roller & Bushing	B21-527-003	4
6	Pin, Roller	B01-112-013	4
7	Spring Pin, 3/16 x 1-1/8	B64134	4
8	Bolt, 3/4-10 x 2-1/2	B21-145-004	4
9	Nut, Plain 3/4-10	B37633	8
10	Top Sprocket Cover	B21-524-002	1
11	Bolt, 1/4-20 x 1	B11005	2
12	Nylon Lock Nut, 1/4-20	B37018	2
13A	Chain, #40 for PEL-400-57	B21-042-017	2
13B	Chain, #40 for PEL-400-72	B21-042-021	2
14	S. Bolt 1/2 x 3 x 3/8-16	B26358	1
15	Spacer, 1/4 thick	B21-113-030	2
16	Idler Sprocket	B21-042-018	6
17	Spacer, 5/8 thick	B21-113-031	1
18	Nylon Lock Nut, 3/8-16	B37024	1
19	Frame	n/a	1
20	Touch Pad	B21-156-002	1
21	Bolt, 1/4-20 x 1	B11005	2
22	Handle Grips, Ergo	B15-025-006	2
23	Cover, Front Right-Side	B21-024-023	2
24	Screw, Self Tapping 1/2 long	B32028	14
25	Cover, Front Left-Side	B21-024-024	1
26	Power Inlet	B1-480701-0	1
27	Bolt, 8-32 x 4	B27429	4
28	Nut, 8-32	B37012	4
29	Charger	B21-034-001	1
30	Circuit Breaker	B21-146-001	1
32	Nut, 8-32	B37012	2
33	Washer #8	B33072	2
34	Screw, 8-32 x 1-3/4	B27412	2
35	Limit Switch	B01-022-001	1
36	Nut, 1/2-13 Plain	B36110	3
37	Compression Spring	B21-146-005	1
38	Washer, 1/2	B33012	1
39	Bolt, 1/2-13 x 6	B10896	1
40	12 Volt Battery	B21-139-002	2
41	Gearbox Sprocket	B21-042-019	1
42	Motor, 1 Hp	B21-641-002	1
43	Nylon-Lock Nut, 3/8-16	B37024	4
44	Bolt, 3/8-16 x 1-1/4	B11107	4
45	Washer, 3/8 x 3/4	B33008	4
46	Cover	B21-024-025	1
47	Nut, 1/4-20	B36102	1
48	Elevator Bolt, 1/4-20 x 1 1/4	B22804	2
49	S. Bolt, 1/2 x 1 3/4 x 3/8-16	B26353	1
50	Nylon-Lock Nut, 3/8-16	B37024	1
51	S. Bolt, 1/2 x 2 1/2 x 3/8-16	B26356	1
52	Spacer, 3/4 Thick	B21-113-035	2
53	Nylon-Lock Nut, 3/8-16	B37024	4
54	Motor Controller	B21-156-004	1
55	Bolt, 8-32 x 1	B27402	2
56	Nylon Lock-Nut, 8-32	B37012	1
57	S. bolt, 1/2 x 2 1/2 x 3/8 - 16	B26356	1
58	Spacer, 9/16 Thick	B21-113-032	1
59	Nylon-Lock Nut, 3/8-16	B37024	1
60	Swivel Caster w/Brake	B16-132-155	2
61	Swivel Casters, No Brake	B16-132-156	2
62	Nut, 1/2-13	B36110	4
63	Lock Washer, 1/2"	B33011	1

# WARNING LABEL IDENTIFICATION

## For Steel Quick Lift • Model BPEL-400-57 & BPEL-400-72

MAKE SURE ALL WARNING LABELS ARE IN PLACE!

\*Product safety signs or labels should be periodically inspected and cleaned by the product users as necessary to maintain good legibility for safe viewing distance ... ANSI 535.4 (10.21)  
Contact manufacturer for replacement labels.



**1**

<b>DANGER</b> ⚠	SHUT POWER OFF AND CONSULT OWNERS MANUAL BEFORE WORKING ON THIS EQUIPMENT
<b>PELIGRO</b> ⚠	CORTE LA Y CONSULTE EL MANUAL DEL PROPIETARIO ANTES DE TRABAJAR EN ESTE EQUIPO
<b>DANGER</b> ⚠	COUPER LE COURANT ET CONSULTER LE MANUEL D'UTILISATION AVANT DE TRAVAILLER SUR CET ÉQUIPEMENT

221

**2**

<b>⚠ WARNING</b>	<b>⚠ AVISO</b>	<b>⚠ AVERTISSEMENT</b>
PLATFORM MUST BE LOWERED BEFORE MOVING LIFT	LA PLATAFORMA DEBE DE ESTAR EN LA POSICIÓN BAJA ANTES DE MOVER EL ELEVADOR	LA PLATE-FORME DOIT ÊTRE ABAISSÉE AVANT D'ACTIVER LE MONTE-CHARGE

220

**3**

<b>⚠ WARNING</b>	<b>⚠ AVISO</b>	<b>⚠ AVERTISSEMENT</b>
KEEP CLEAR OF PINCH POINT	MANTENGASE ALEJADO DE PUNTO DE CORTE	SE TENIR À DISTANCE DU POINT DE PINCEMENT

208

**4**

<b>⚠ WARNING</b>	<b>⚠ AVISO</b>	<b>⚠ AVERTISSEMENT</b>
KEEP CLEAR WHEN IN USE	MANTENGASE ALEJADO CUANDO SE ESTA OPERANDO	SE TENIR À DISTANCE LORS DU FONCTIONNEMENT

220

**5**

Charge unit at least every two weeks or leave plugged in when not in use. Disconnect battery when storing unit without power for more than one month.

Cargue la unidad por lo menos cada dos weeks o váyase enchufado cuando no en uso. Desconecte la batería al salvar la unidad sin el ower para más de un mes.

Charger l'unité au moins deux fois par semaine ou laisser branché lorsque la batterie lorsque l'unité est rangée et ne va pas fonctionner pendant plus d'un mois.

454

**6**

<b>⚠ DANGER</b>	TO AVOID PERSONAL INJURY READ OWNER'S MANUAL BEFORE OPERATING OR REPAIRING SCISSOR LIFT		DO NOT PUT HANDS, FEET OR OBJECTS UNDER TOP. LOWER PLATFORM SLOWLY.		DO NOT WORK UNDER LIFT WITHOUT SAFETY BLOCK OR WHILE LOADED. KEEP CLEAR OF MOVING SCISSOR LEG MECHANISM.		DO NOT STAND, SIT OR RIDE ON LIFT
<b>⚠ PELIGRO</b>	PARA EVITAR DAÑOS PERSONALES LEA EL MANUAL DEL PROPIETARIO ANTES DE OPERAR O REPARAR EL ELEVADOR DE TIJERAS		NO PONGA MANOS, PIES U OBJETOS DEBAJO DEL BORDE. DESCENDA LA PLATAFORMA LENTAMENTE.		NO TRABAJE DEBAJO DEL ELEVADOR SIN LOS FRENOS DE SEGURIDAD O CUANDO ESTÉ CARGADO. MANTENGASE ALEJADO DEL MECANISMO DE TIJERA EN MOVIMIENTO.		NO SE SIENDE, SE PARE.O VIAJE EN EL ELEVADOR
<b>⚠ ATTENTION</b>	POUR ÉVITER TOUTE BLESSURE PERSONNELLE LIRE LE MANUEL D'UTILISATION AVANT DE METTRE EN MARCHÉ OU AVANT DE RÉPARER L'ÉLEVATEUR CISEAU		NE PAS METTRE LES MAINS, LES PIEDS OU TOUT OBJET SOUS LE PLATEAU SUPÉRIEUR. DESCENDRE LA PLAT-FORME LENTEMENT		NE PAS TRAVAILLER SOUS L'ÉLEVATEUR SANS BLOCS DE SÉCURITÉ OU LORSQU'IL EST CHARGÉ. RESTER À L'ÉCART DU MÉCANISME CISEAU LORSQUE L'ÉLEVATEUR EST EN FONCTIONNEMENT.		NE PAS SE TENIR DEBOUT, S'ASSEOIR OU MONTER SUR L'ÉLEVATEUR

207

---

## LIMITED WARRANTY

**ONE YEAR LIMITED WARRANTY.** The manufacturer warrants for the original purchaser against defects in materials and workmanship under normal use one year after date of purchase. (Not to exceed 15 months after date of manufacture.) Any part which is determined by the manufacturer to be defective in material or workmanship and returned to the factory, shipping costs prepaid, will be, as the exclusive remedy, repaired or replaced at our option. Labor costs for warranty repairs and/or modifications are not covered unless done at manufacturer's facilities. Any modifications performed without written approval of the manufacturer may void warranty. This limited warranty gives purchaser specific legal rights which vary from state to state.

**LIMITATION OF LIABILITY.** To the extent allowable under applicable law, the manufacturer's liability for consequential and incidental damages is expressly disclaimed. The manufacturer's liability in any event is limited to, and shall not exceed, the purchase price paid. Misuse or modification may void warranty.

**WARRANTY DISCLAIMER.** Our company has made a diligent effort to illustrate and describe the products shown accurately; however, such illustrations and descriptions are for the sole purpose of identification, and do not express or imply a warranty that the products are merchantable, or fit for a particular purpose, or that the products will necessarily conform to the illustrations or descriptions.

The provisions of the warranty shall be construed and enforced in accordance with the UNIFORM COMMERCIAL CODE and laws as enacted in the State of Indiana.

**DISPOSITION.** Our company will make a good faith effort for prompt correction or other adjustment with respect to any product which proves to be defective within the Limited Warranty. Warranty claims must be made in writing within said year.

---

## SERVICE RECORD

DATE OF SERVICE: ____/____/____
WORK DONE BY: _____
SERVICE PERFORMED: _____
_____
_____

DATE OF SERVICE: ____/____/____
WORK DONE BY: _____
SERVICE PERFORMED: _____
_____
_____

DATE OF SERVICE: ____/____/____
WORK DONE BY: _____
SERVICE PERFORMED: _____
_____
_____

DATE OF SERVICE: ____/____/____
WORK DONE BY: _____
SERVICE PERFORMED: _____
_____
_____

DATE OF SERVICE: ____/____/____
WORK DONE BY: _____
SERVICE PERFORMED: _____
_____
_____

DATE OF SERVICE: ____/____/____
WORK DONE BY: _____
SERVICE PERFORMED: _____
_____
_____