

Ergonomic Solutions

OWNER'S MANUAL

NESTING PLATFORM CART • MODEL BNPCT

Contents

Safety Precautions	1	Warranty	1
Receiving Instructions	1	Nesting Cart Exploded Parts Drawing	2
Assembly Instructions	1	Parts List For Nesting Cart	2

SAFETY PRECAUTIONS

Read owner's manual completely before operating unit!

- Never exceed maximum capacity of 1,500 pounds.
- Always load the cart on the center of the platform.
- Stand clear of load while loading and unloading.

RECEIVING INSTRUCTIONS

Every unit is thoroughly tested and inspected prior to shipment. However, it is possible that the unit may incur damage during transit. If damage is noticed when unloading, make a note of it on the **BILL OF LADING**. Remove all packing and strapping material, then inspect the unit again for damage. **IF DAMAGE IS EVIDENT, FILE A CLAIM WITH THE CARRIER IMMEDIATELY!**

ASSEMBLY INSTRUCTIONS

STEP 1 - INSTALL CASTERS

Two rigid casters are installed to narrower end of cart and two swivel casters to wider end of cart. Place caster base plate into caster pad bracket. (LOCATED ON BOTTOM OF DECK) Insert 3/8-16 UNC x 5 carriage bolt through square hole in caster pad to hold caster in place. Place 3/8-16 UNC lock nut on each bolt and tighten securely.

STEP 2 - INSTALL SPRINGS

Lift rear end of hinged platform and place two springs into spring retainer rings at front. Make sure that springs rest inside top and bottom spring retainers. (Two springs per cart) Lower platform down on springs.

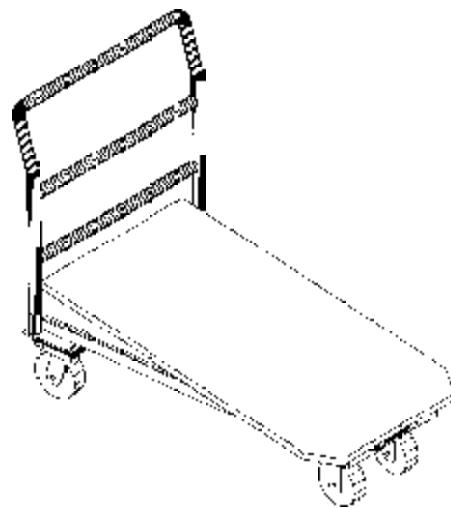
STEP 3 - INSTALL HANDLE

Insert threaded ends of handle into sockets at rear corners of cart. Push down until threads are sticking out bottom of cart. Secure handle with 14mm lock washers and nuts.

WARRANTY

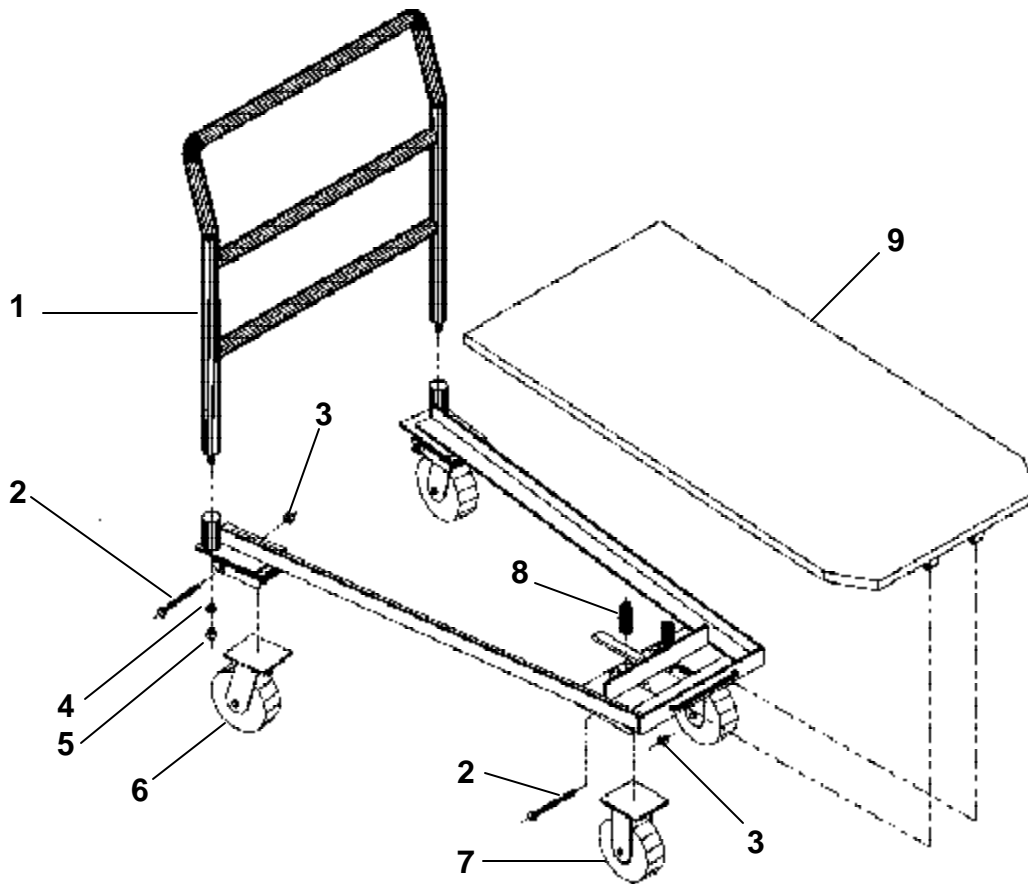
This product is warranted for 90 DAYS from date of purchase to be free of manufacturing defects in material and workmanship. The manufacturer's obligation hereunder is limited to repairing such products during the warranty period, provided the product is sent prepaid back to the factory.

This warranty does not cover normal wear of parts or damage resulting from any of the following: negligent use or misuse of the product, use or application contrary to installation instructions, or disassembly, repair or alteration by any person prior to authorization from a factory representative.



NESTING PLATFORM CART
MODEL BNPCT

NESTING PLATFORM CART • MODEL BNPCT
Assembly & Parts Drawing



PARTS IDENTIFICATION
NESTING PLATFORM CART • MODEL BNPCT

KIT NO.	ITEM NO.	DESCRIPTION	ENGINEER NO.	PART NO.	QTY
A	1	Handle	BPC50084A	BNEST-HDL	1
B,C	2	Bolt, 3/8"-16 X 5"	a/k	a/k	4
B,C	3	Nylock nut, 3/8"-16	a/k	a/k	4
A	4	Lock washer, M14	a/k	a/k	2
A	5	Hex. nut, M14-2.0	a/k	a/k	2
B	6	Swivel caster	B16-132-026	BNEST-SC	2
C	7	Rigid caster	B16-132-027	BNEST-RC	2
	8	Spring	B16-146-002	BNEST-SPRG	2
	9	Top platform	B16-513-005	BNEST-TP	1
A		Handle Kit (includes 1,4,5)	B16-154-013	BNEST-KITA	1
B		Swivel Caster Kit (includes 2,3,6)	B16-154-014	BNEST-KITB	1
C		Rigid Caster Kit (includes 2,3,7)	B16-154-015	BNEST-KITC	1

a/k Available only with purchase of kit