

Ergonomic Solutions

OWNER'S MANUAL

ADJUSTABLE PALLET STAND MODEL BPS-4045

Contents

Safety Precautions.....	1	Adjustable Pallet Stand	
Receiving Instructions.....	1	Exploded Parts Drawing.....	2
Warranty.....	1	Parts List.....	2
Installation Instructions.....	1	Warning Label Identification.....	3
Operating Instructions.....	2	Material Handling Problem Solvers.....	4

SAFETY PRECAUTIONS

Read owner's manual completely before operating unit!

- * Raise and lower the pallet stand only from side with lifting handles and handle bar.
- * Do not raise or lower the pallet stand while loaded.
- * Do not stand on the pallet stand.
- * Do not crawl under the pallet stand at any time.
- * Keep hands, feet, and foreign objects out from underneath pallet stand.
- * Do not exceed maximum loading capacity of 4000 pounds.
- * Insure pallet stand is evenly loaded for safety.
- * Visually check that the top of the scissor leg is securely in lock notch.
- * Make sure all operator safety labels are in place (p.3).

RECEIVING INSTRUCTIONS

Every unit is thoroughly tested and inspected prior to shipment. However, it is possible that the unit may incur damage during transit. If damage is noticed when unloading, make a note of it on the BILL OF LADING. Remove all packing and strapping material, then inspect the unit again for damage. IF DAMAGE IS EVIDENT, FILE A CLAIM WITH THE CARRIER IMMEDIATELY!

WARRANTY

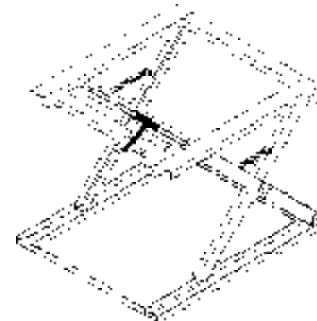
This product is warranted for 90 DAYS from date of purchase to be free of manufacturing defects in material and workmanship. The manufacturer's obligation hereunder is limited to repairing such products during the warranty period, provided the product is sent prepaid back to the factory.

This warranty does not cover normal wear of parts or damage resulting from any of the following: negligent use or misuse of the product, use or application contrary to installation instructions, or disassembly, repair or alteration by any person prior to authorization from a factory representative.

INSTALLATION INSTRUCTIONS

Spring must be installed prior to use of the Pallet Stand. For spring installation (two people are recommended):

- 1.) Handle bar has three settings. The **Middle**, or neutral setting, is for storage only. The **Left** setting is for moving the stand from the storage position into the first position only or vice versa. The **Right** setting is for moving the stand from the first position to the second or third position and vice versa.
- 2.) Move handle bar securely into the **Left** setting.
- 3.) Lift stand from the storage position into the first operating position using a lift handle and handle bar. (**IMPORTANT** - Be sure the unit is locked into position before proceeding on to the next step).
- 4.) Slide the handle bar from the **Left** into the **Right** setting.
- 5.) Lift stand from the first operating position to the third operating position (**IMPORTANT** - Be sure the unit is locked into position before proceeding on to the next step).
- 6.) The unit should be in the third operating position (raised all the way). Attach springs to washers that are located in-between the scissor legs, just above the pivot point.

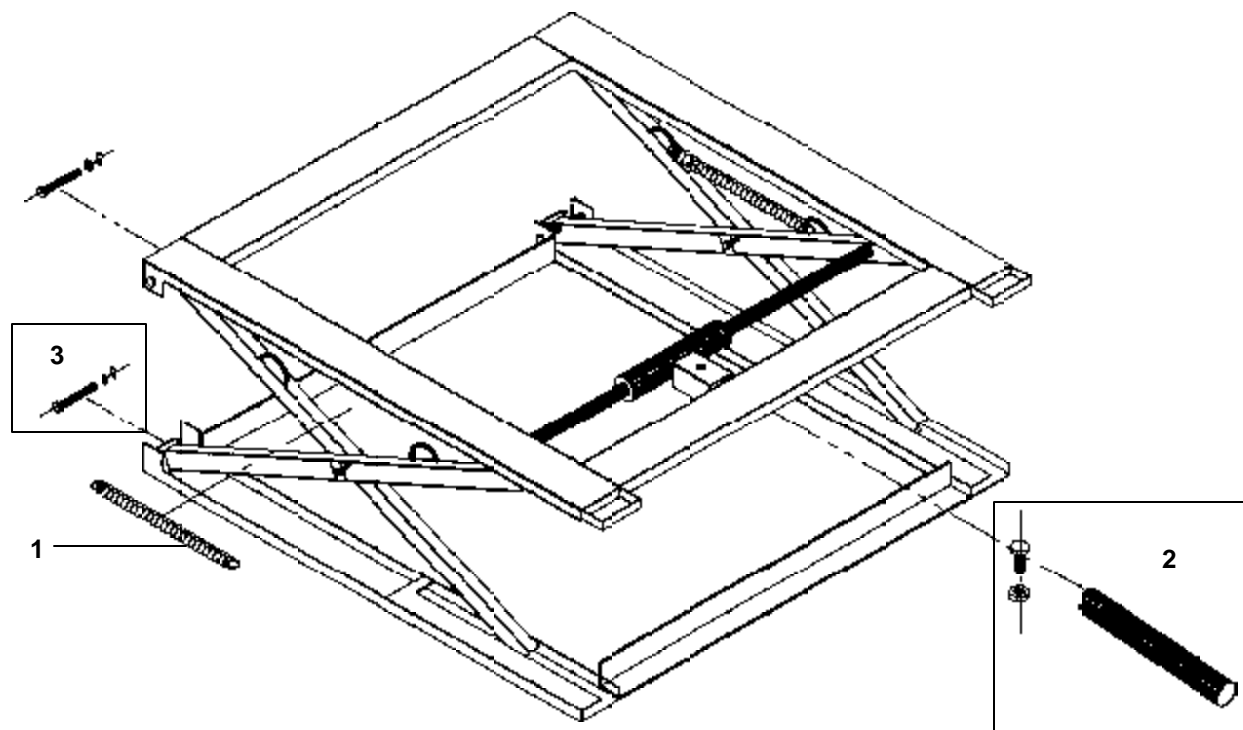


**ADJUSTABLE PALLET STAND
MODEL BPS-4045**

OPERATING INSTRUCTIONS

- 1.) The Adjustable Pallet Stand has three operating heights at 19", 28" and 33". The unit collapses down to 9" for storage only.
- 2.) To raise the stand from the storage position into the first operating position, slide the handle bar from the Middle setting to the Left setting. Grip one lifting handle and the handle bar and lift the stand until it locks into the first operating position.
- 3.) To raise the stand from the first operating position to a higher operating position, slide the handle bar into the Right setting. Grip one lifting handle and the handle bar and lift the stand until it locks into the desired operating position.
- 4.) To lower the stand into the first operating position, slide the handle bar into the Right setting. Grip one lifting handle and slightly raise the platform to unlock it's position. Grip the handle bar and lower the stand into the first operating position.
- 5.) To lower the stand into the storage position from the first operating position, slide the handle bar to the Left setting. Grip one lifting handle and slightly raise the platform to unlock it's position. Grip the handle bar and lower the stand into the storage position.

ADJUSTABLE PALLET STAND • MODEL BPS-4045



PARTS IDENTIFICATION ADJUSTABLE PALLET STAND MODEL BPS-4045

ITEM NO.	DESCRIPTION	ENGINEER NO.	PART NO.	QTY.
1	Spring	B15-146-001	BPS-SPRG	2
2	Handle Replacement Kit	B15-154-002	BPS-HDLKIT	1
3	Hinge & Cotter Pin Kit	B15-154-001	BPS-PINKIT	4

WARNING LABEL IDENTIFICATION

MAKE SURE ALL WARNING LABELS ARE IN PLACE!

1

NOTICE	NOTA	AVIS
---------------	-------------	-------------

OPERATING INSTRUCTIONS

To adjust height engage handle bar and lift on either lifting handle to engage positive locking device.

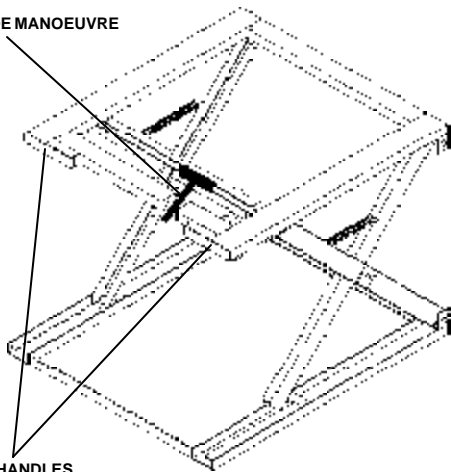
INSTRUCCIONES DE OPERACIÓN

Para ajustar la altura encaje la barra de manejo y eleve la barra de elevación para que el sistema de cierre se encaje.

INSTRUCTIONS DE FONCTIONNEMENT

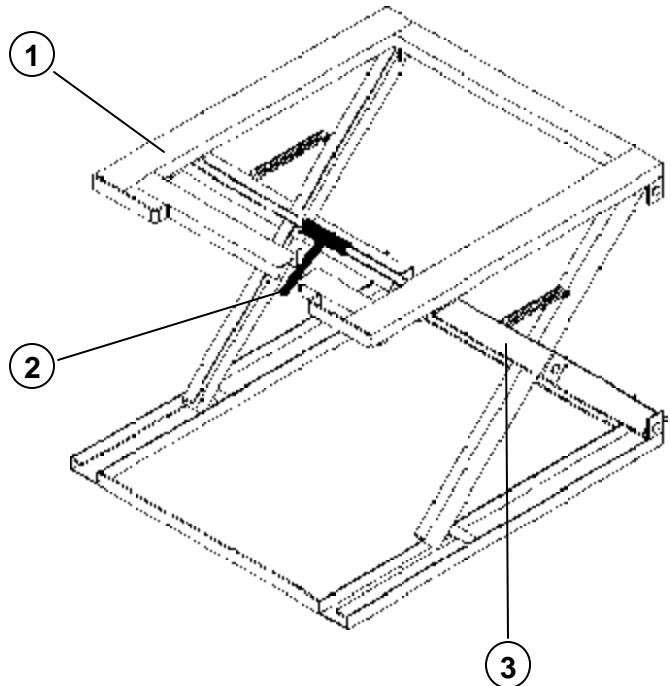
Pour ajuster la hauteur, engager la barre de manoeuvre et soulever une ou l'autre des poignées d'élevation afin d'engager le blocage de sécurité.

HANDLEBAR
BARRA
BARRE DE MANOEUVRE



LIFTING HANDLES
BARRAS DE ELEVACIÓN
POIGNÉES D'ÉLEVATION

261



BOTH SIDES

*Product safety signs or labels should be periodically inspected and cleaned by the product users as necessary to maintain good legibility for safe viewing distance ... ANSI 535.4 (10.21)
Contact manufacturer for replacement labels.

2

GRIP HERE	262
AGARRE AQUI	
SAISIR ICI	

3

⚠ WARNING	⚠ AVISO	⚠ AVERTISSEMENT
KEEP CLEAR OF PINCH POINT	MANTENGASE ALEJADO DEL PUNTO DE CORTE	SE TENIR À DISTANCE DU POINT DE PINCEMENT

208