

Gantries and Jib Cranes

OWNER'S MANUAL

OVERHEAD LOAD LIFTER MODEL BOLA

Contents	
Safety Precautions	1
Receiving Instructions	1
Warranty	1
Operation	2
Inspection Instructions	2
Warning Label Identification	3

SAFETY PRECAUTIONS

Read owner's manual completely before operating unit!

Before operating the pallet lifter, read and understand this owners manual to insure safe operation. Inspect before each use for damage parts or components. Make sure all warning labels are in good condition and are followed when operating.

This Overhead Pallet Lifter is to be used in conjunction with an overhead hoist with the proper capacity only. The pallet lifter weight needs to be added into the total weight of the load. DO NOT stand under the lifter when in use.

- Never exceed the maximum capacity printed on lifter!
- Check for damage and be sure all hardware is tight before each use.
- Never move or load unless both adjustment pins are fully inserted.
- Stand clear of load while loading and unloading.
- Never adjust height when loaded.
- Never stand under load.
- Keep clear of electrical wires or any other electrical equipment.
- Make sure all operator safety labels are in place.

RECEIVING INSTRUCTIONS

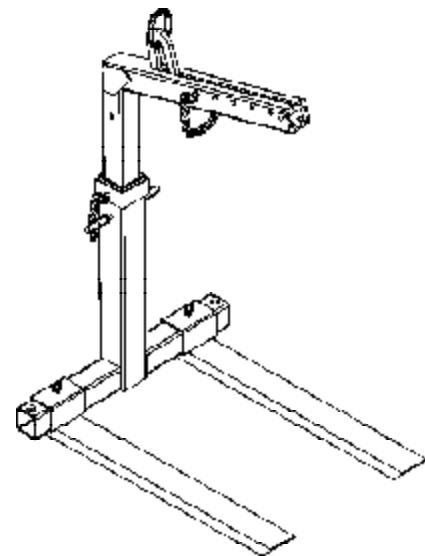
Every unit is thoroughly inspected prior to shipment. However, it is possible that the unit may incur damage during transit. If damage is noticed when unloading, make a note of it on the **BILL OF LADING**. Remove all packing and strapping material, then inspect

the unit again for damage. **IF DAMAGE IS EVIDENT, FILE A CLAIM WITH THE CARRIER IMMEDIATELY!**

WARRANTY

This product is warranted for 1 year from date of purchase to be free of manufacturing defects in material and workmanship.

This warranty does not cover normal wear of parts or damage resulting from any of the following: negligent use or misuse of the product, use or application contrary to installation instructions, or disassembly, repair or alteration by any person prior to authorization from a factory representative.

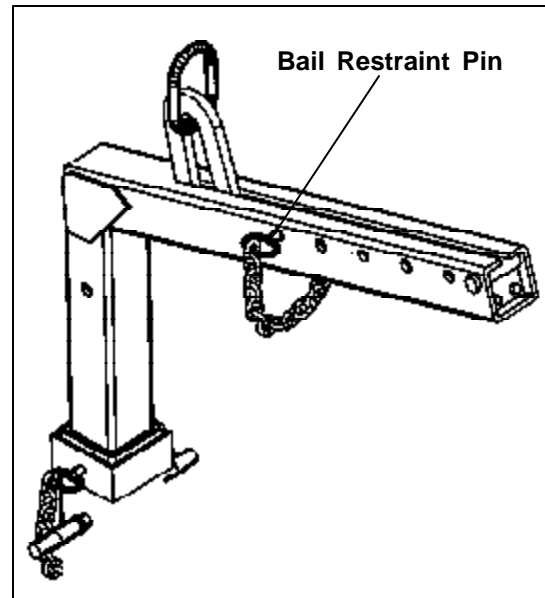


**OVERHEAD LOAD LIFTER
MODEL BOLA**

OPERATION

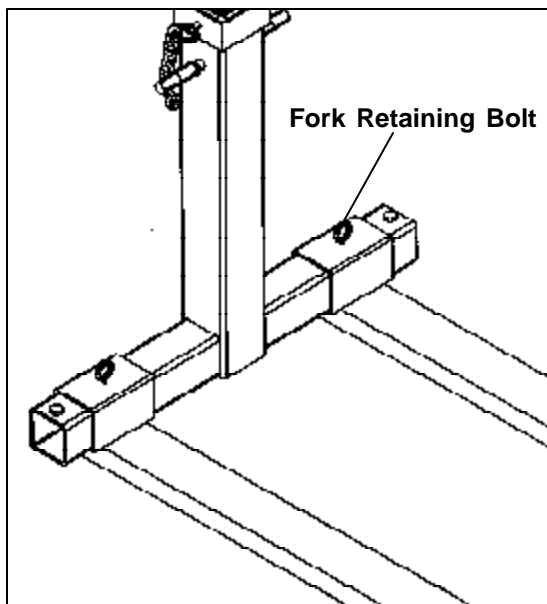
This lifter is designed to be used in conjunction with closed bottom skids. Loads used with this lifter need to be secure on the skid and symmetrically distributed on the skid. Loose items falling off the pallet midair can cause the center of gravity to shift and cause the entire load to dump.

Place the forks of the pallet lifter through the pallet fork slots until the forks are fully inserted. If the inside clearance height needs to be adjusted, remove the rear pin and either set the height with a hoist hooked into the bail or by hand. After setting the height, replace the pin and install the safety pin. Models with the adjustable fork width option can set the fork width by loosening the retainer bolts on the top of each fork and sliding the forks to the desired width. The forks must be set the same distance from the center in order to insure proper balance. After the forks have been set retighten the retaining bolts securely.



Using the overhead hoist, pick up the pallet lifter and load slowly to check for load balancing and stability. If the load is not balanced position the pallet on the forks and retry. Never extend the pallet past the edge of the forks. Never extend the pallet past the edge of the forks. If the pallet center balance is off enough, the bail stop pin may need to be repositioned.

When trying to position the pallet lifter with the load, use the handles located on the rear of the unit. Never place your feet underneath the unit when positioning the load. To remove the pallet from the lifter, place the load on the ground and with the lifter slightly raised remove the pallet lifter from the rear of the pallet. When the weight of the pallet has been removed from the forks, the pallet lifter bail will slide back and allow the lifter to balance when unloaded.



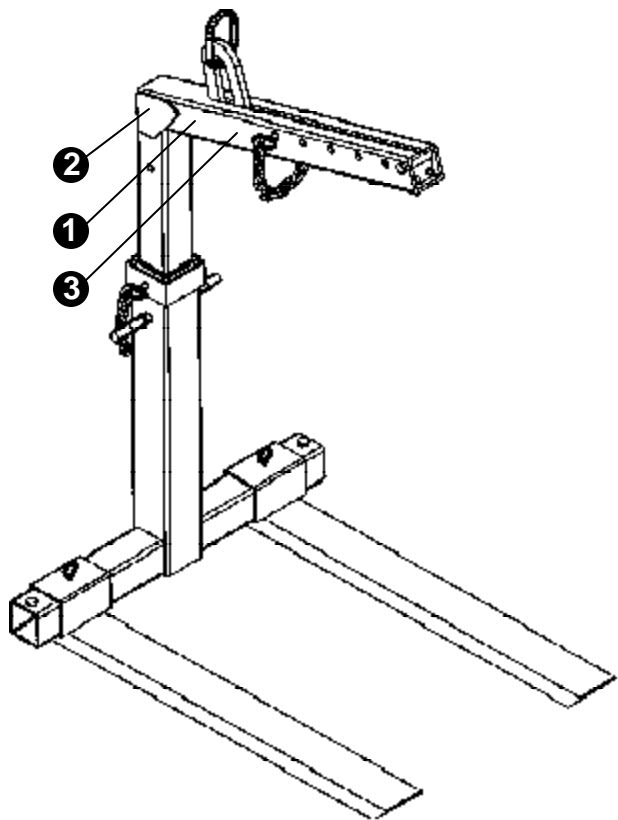
Set the bail restraint pin so that the bail will stop at approximately the center of the load. Be sure all pins are in place and the safety pins are inserted into the pins. Connect the hoist hook through the bail pickup loop on the pallet lifter. Be sure that the hoist has a safety latch to insure the hook cannot slide off the bail. When moving the pallet lifter empty, the bail will return to the lower position. To be sure the bail does not slide forward, place the bail adjustment pin into the first hole position (first hole on the lower end).

INSPECTIONS

As with all equipment, frequent inspections should be performed on this unit to insure safe operation. The intervals of inspection should be determined by the frequency of use. Inspect for cracked welds, worn or damaged components or torn or damaged warning labels. This lifter is built in accordance with ASME B30.20. A copy of this standard can be attained from ASME. Guidelines for testing and inspections are given in this standard.

WARNING LABEL IDENTIFICATION

MAKE SURE ALL WARNING LABELS ARE IN PLACE!



*Product safety signs or labels should be periodically inspected and cleaned by the product users as necessary to maintain good legibility for safe viewing distance . . . ANSI 535.4 (10.21)

Contact manufacturer for replacement labels if needed.

①

CAUTION

BAIL STOP PIN MUST BE PLACED IN THE HOLE THAT WILL STOP THE BAIL OVER CENTER OF THE LOAD. FAILURE TO DO THIS MAY RESULT IN LOAD DUMPING.

386

②

CAUTION

CONSULT OWNERS MANUAL BEFORE USE

387

③

CAUTION

BAIL ADJUSTMENT PIN MUST BE PLACED IN FIRST HOLE WHILE MOVING PALLET LIFTER WHEN EMPTY

388