

# BEACON

Beacon Industries, Inc. 12300 Old Tesson Rd. St. Louis, MO 63128

## Loading Dock Metal Hood

### Installation Steps -

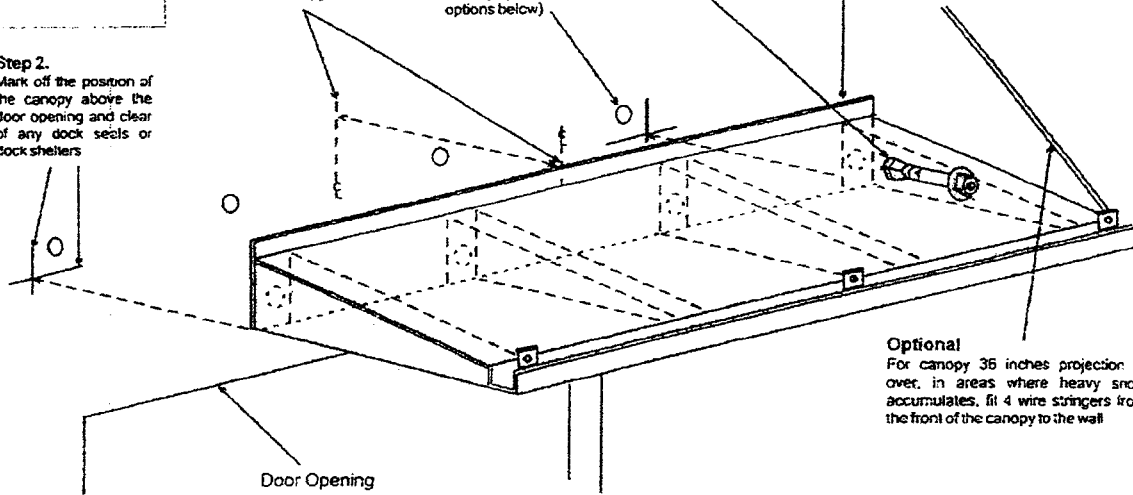
**Step 2.**  
Mark off the position of the canopy above the door opening and clear of any dock seals or dock shelters

**Step 1.**  
Mark the center line of the door opening and the canopy

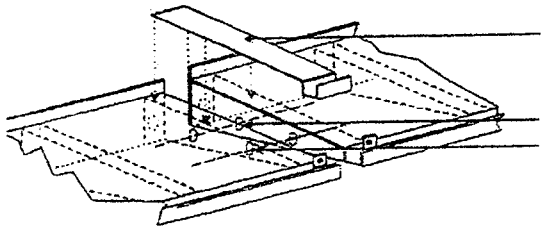
**Step 3.**  
Drill holes in the wall to match the holes in the canopy (see mounting options below)

**Step 4.**  
Position the canopy in place and anchor to the wall

**Step 5.**  
Caulk across the top of the canopy

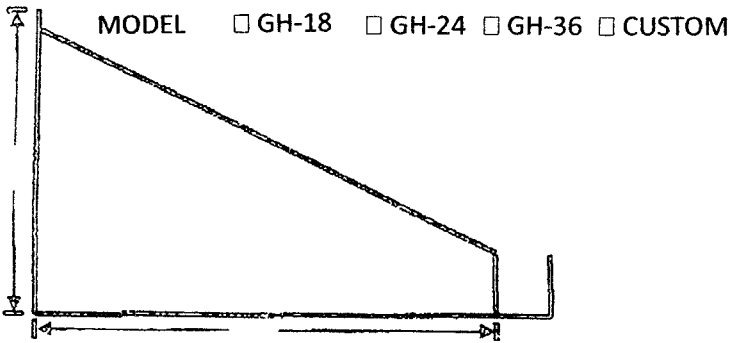


**Optional**  
For canopy 36 inches projection or over, in areas where heavy snow accumulates, fit 4 wire stringers from the front of the canopy to the wall



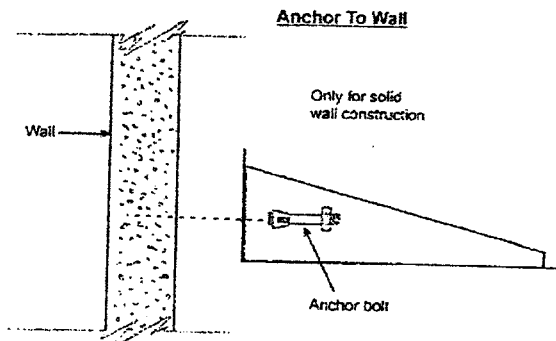
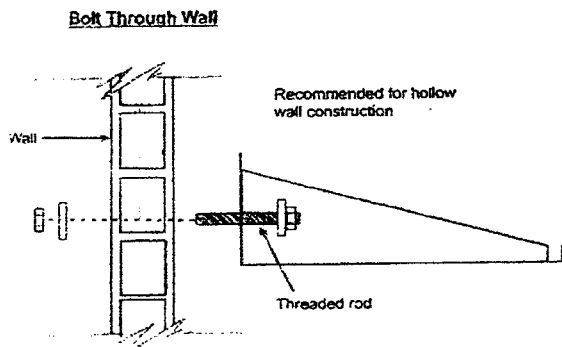
Optional overlap splice plate

**Wide Metal Canopies -**  
Over sized units may require that they be divided into two or more sections and with the requirement to be bolted together, as shown, end to end. Sealing of length of seam is required with caulking.



LENGTH  8'0"  10'0"  12'0"  CUSTOM

### MOUNTING OPTIONS



**Approval**

I, the undersigned, hereby approve this print  
 As drawn  As marked

This includes my approval of design & dimensions.

Signed: \_\_\_\_\_

Date: \_\_\_\_\_

FINISHES  Galvanized  Galvannealed