

Fork Truck Attachments

OWNER'S MANUAL

LIFT MASTER BOOMS MODEL BLM-OBT, BLM-1T-6, BLM-EBT, BLM-EBT-6

Contents

Safety Precautions	1	Certificate of Assurance	2
Receiving Instructions	1	Parts Breakdown BLM-OBT	3
Installation Instructions	1	Parts Breakdown BLM-1T-6	4
Warranty	1	Parts Breakdown BLM-EBT	5
Operating Instructions	2	Parts Breakdown BLM-EBT-6	5

SAFETY PRECAUTIONS

Read owner's manual completely before operating unit!

- Secure Lift Master Boom to fork truck carriage with safety chain.
- Never stand underneath lift device when in use.
- Be sure fork mast is tilted back toward driver.

RECEIVING INSTRUCTIONS

Every unit is thoroughly tested and inspected prior to shipment. However, it is possible that the unit may incur damage during transit. If damage is noticed when unloading, make a note of it on the **BILL OF LADING**. Remove all packing and strapping material, then inspect the unit again for damage. **IF DAMAGE IS EVIDENT, FILE A CLAIM WITH THE CARRIER IMMEDIATELY!** Finally, check the design specifications to ensure they match those as requested (i.e. model type, capacity, etc...)

INSTALLATION INSTRUCTIONS

STEP 1 - Insert forks through fork pockets of Boom so that the back side of boom is in contact with fork carriage of fork truck.

STEP 2 - Attach safety chain to fork truck carriage.

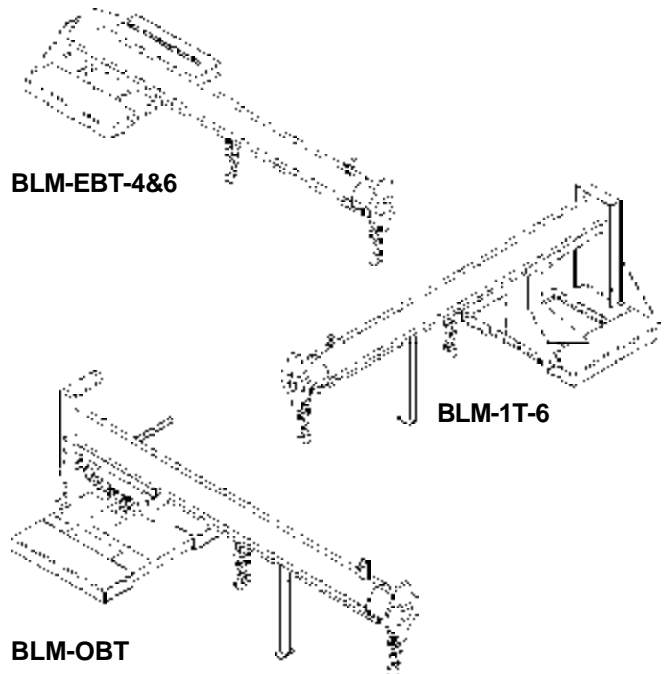
STEP 3 - Tilt fork carriage and mast back toward the driver so that boom does not slide off forks.

STEP 4 - Make desired adjustments to boom length by sliding the inner extension tube in or out of main tube, and locking it down with infinite locking screw.

WARRANTY

This product is warranted for one year from date of purchase to be free of manufacturing defects in material and workmanship.

This warranty does not cover normal wear of parts or damage resulting from any of the following: negligent use or misuse of the product, use or application contrary to installation instructions, or disassembly, repair or alteration by any person prior to authorization from a factory representative.



BEFORE OPERATION

- 1.) Ensure that forks of forklift are completely through boom fork pockets, and that the boom is against the fork uprights near the carriage of the forklift.
- 2.) Secure boom to forklift by wrapping chain around the carriage of the forklift. Pull the chain as tight as possible and lock chain to carriage utilizing the locking hook on either end of the chain.
- 3.) To adjust height using the orbital function: lower boom to the ground with the forklift tines engaged and safety chain secured to mast. While stabilizing the boom pivot handle, remove pivot locking pin and position boom to desired height. (Note: this operation can be performed by one person, but it is strongly recommended to have two persons position the boom.)
- 4.) Extend the telescopic pipe to the desired distance and secure with locking pin. Ensure the pin is locking the telescopic pipe is in place and it cannot move horizontally.
- 5.) Review boom capacity to ensure the boom can lift the desired load at the desired distance safely.
- 6.) Review forklift owners manual for forklift capacity at the load center of gravity distance and raised height to ensure the forklift can lift the desired load safely.
NEVER OVERLOAD THE FORKLIFT!
- 8.) Do not use the boom if it has been damaged.
- 9.) Tilt mast back toward driver. **NEVER** tilt mast top forward as boom may tend to slip off forks.

OPERATION

- 1.) Wrap lifting chain, nylon strap, around the load you desire to move. Secure load to boom utilizing one or both front and rear hooks of the hook bar.
- 2.) Lift the load slowly. If the forklift begins to rise, the load is too heavy for the forklift. Unattached the bundle and move the center of the load closer to the forklift. This may require pushing the telescoping pipe back into the larger pipe and locking into position. Make sure all personnel are clear before attempting to lift load. If bundle does not raise evenly, re-center the lifting chains so the load remains parallel with the surface.
- 3.) Raise the load to transporting height, keeping load as close to the ground as possible.
- 4.) Transport the load to the desired location. Move slowly and avoid all bumps and inclines/declines. Ensure all personnel are clear of the area. If at any time the forklift begins to rise, **STOP**, and adjust the center of the load as described in paragraph number 2.
- 5.) Raise/Lower the load into the desired position. Lower load slowly into place.
- 6.) Un-attach load lifting chains from boom. Push telescoping boom back into larger pipe and secure with locking pin.

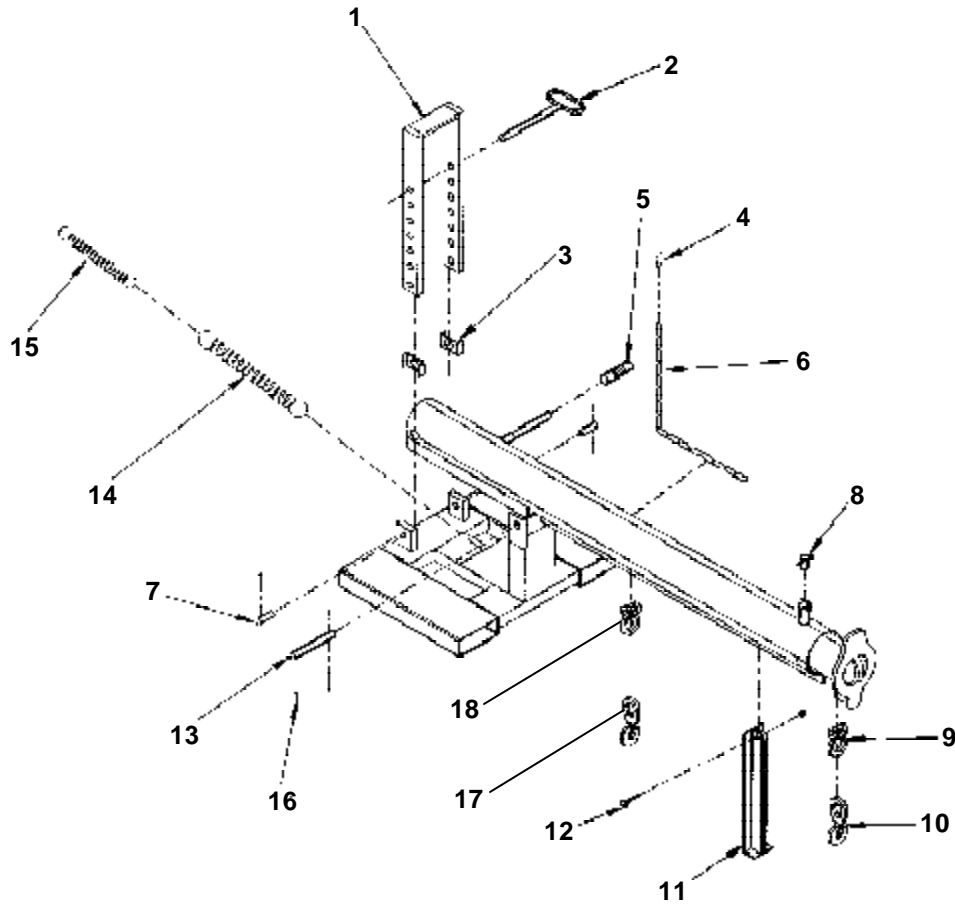
Certificate of Assurance

This certificate is your assurance that our Lift Master Series Fork Truck Booms and attachments are manufactured in accordance with our interpretations of applicable national OSHA (29CFR 1910.178) fork truck standards. Please realize that some portions of these standards are the responsibility of the end user to fulfill, i.e., 29 CFR 1910.178 (a)(4) *Modifications and additions which affect capacity and safe operation (of the fork truck) shall not be performed by the customer or user without manufacturers prior written approval. Capacity, operation, and maintenance instruction plates, tags or decals shall be changed accordingly.* It is the responsibility of the user to adapt to state or local laws. The end user is responsible to use the equipment safely in a manner which it is designed for and within the rated capacity of the unit. Please contact the factory for further assistance. Thank you for your interest in our product.

BEACON INDUSTRIES, INC.

7321 South Lindbergh Blvd. • St. Louis, MO 63125
Phone (314) 487-7600 • Fax (314) 487-0100
E-mail: sales@beacontechnology.com
www.beacontechnology.com

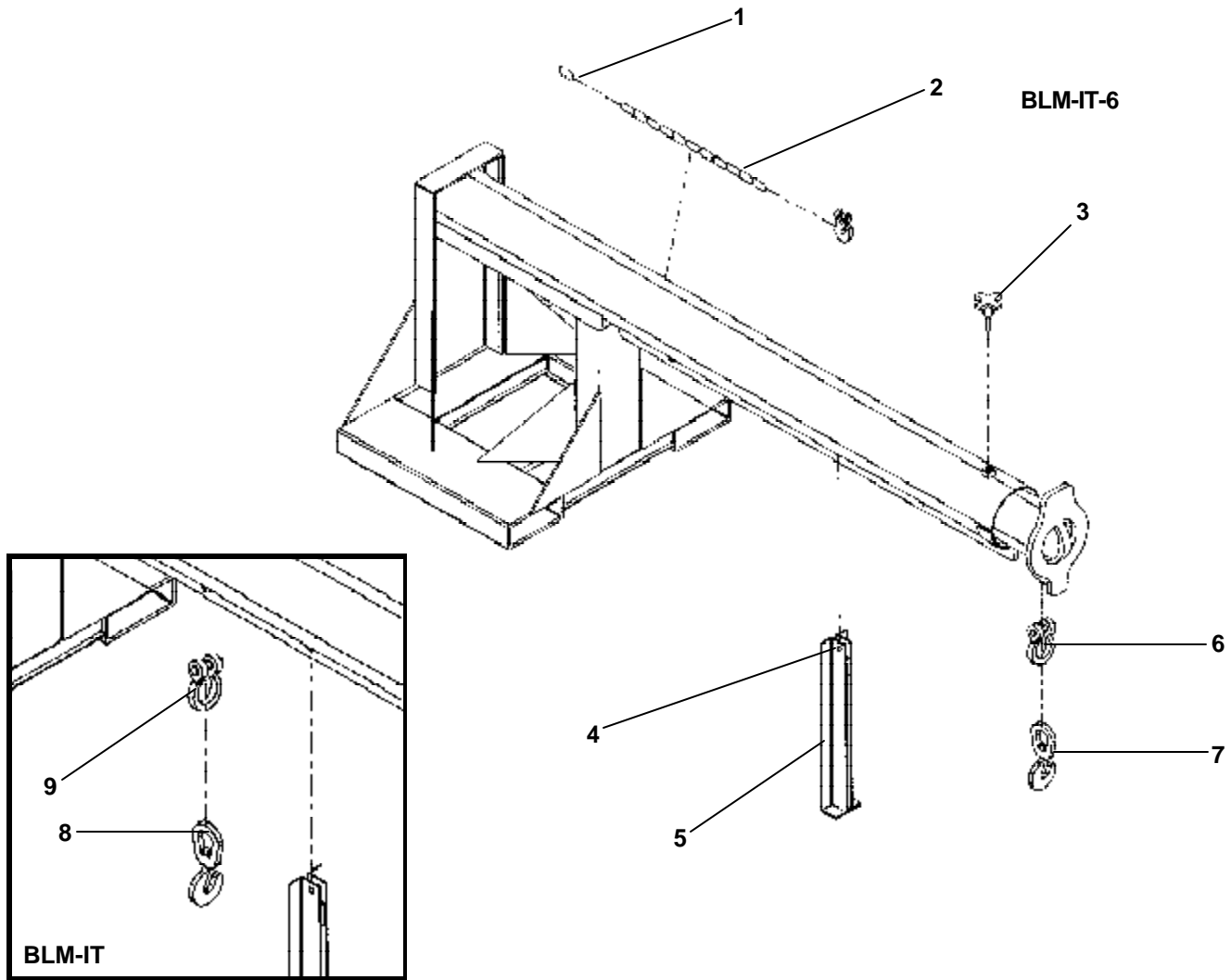
**PARTS IDENTIFICATION
LIFT MASTER BOOM BLM-OBT**



ITEM NO.	DESCRIPTION	ENGINEER NO.	PART NO.	QUANTITY
1	Frame, Adjustment	B08-514-045	BLMOBT-FMA	1
2	Pin & Clip 1" dia. Hitch x 11-1/2"L	B08-112-002	BLMOBT-P&C	1
3	Bracket, Pivot	B08-016-013	BLMOBT-PVB	2
4	Specialty, Hardware, Snap Hook	B08-145-008	BLMOBT-HDWR	1
5	Handle, Rubber Grip	B13-025-003	BLMOBT-HRG	1
6	Chain 3/16" x 72"L	B08-145-011	BLMOBT-CHAIN	1
7	Pin Clevis 1" x 2-3/4"L	B08-112-004	BLMOBT-PNCVS	2
8	Pin, Lock	B08-112-003	BLMOBT-PLK	1
9	2 Ton Shackle	B08-145-010	BLMOBT-2TSKL	2
10	2 Ton Hook	B08-145-001	BLMOBT-2THK	1
11	Frame, Support Leg Weldment	B08-514-043	BLMOBT-FSLW	1
12	Bolt & Nylock 1/2"-13 x 2"	N/A	BLMOBT-B&N	1
13	Pin, Pivot	B08-112-001	BLMOBT-PPVT	1
14	Spring, Large	B08-146-002	BLMOBT-LSPG	1
15	Spring, Small	B08-146-001	BLMOBT-SSPG	1
16	Cotter Pins, 3/16" x 1-1/2"L	N/A	BLMOBT-CTSPG	4
17	Clevis Grab Hook	B08-145-009	BLMOBT-CGHK	1
18	Anchor Shackle	B08-145-010	BLMOBT-ANSKL	1

N/A- NOT AVAILABLE

**PARTS IDENTIFICATION
LIFT MASTER BOOM BLM-1T6 & BLM-1T**



Model BLM-IT-6

ITEM NO.	DESCRIPTION	ENGINEER NO.	PART NO.	QUANTITY
1	Snap Hook	B08-145-007	BLM1T6-SH	1
2	3/16" Chain 36"L	B08-145-008	BLM1T6-CHN	1
3	Knob	B08-025-004	BLM1T6-KNB	1
4	Bolt & Nut	N/A	BLM1T6-BN	1
5	Frame Support Leg (Weldment)	B08-514-042	BLM1T6-FSL	1
6	3 Ton Shackle	B08-145-004	BLM1T6-3TSKL	1
7	3 Ton Hook	B08-112-002	BLM1T6-3THK	1

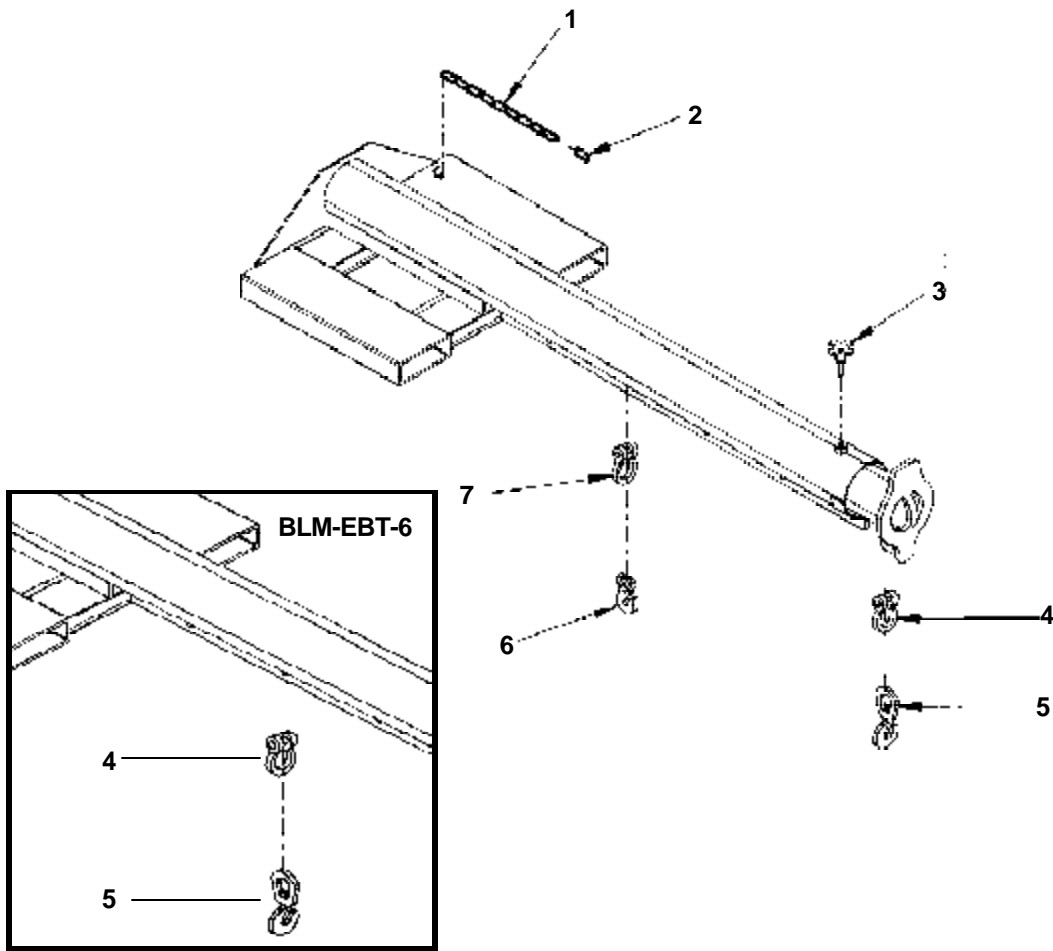
N/A- NOT AVAILABLE

Model BLM-IT

ITEM NO.	DESCRIPTION	ENGINEER NO.	PART NO.	QUANTITY
8	Clevis Grab Hook (LM-1T only)	B08-145-009	BLMIT-CGHK	1
9	Anchor Shackle (LM-1T only)	B08-145-010	BLMIT-ANSKL	1

N/A- NOT AVAILABLE

**PARTS IDENTIFICATION
LIFT MASTER BOOM BLM-EBT & BLM-EBT-6**



Model BLM-EBT

ITEM NO.	DESCRIPTION	ENGINEER NO.	PART NO.	QUANTITY
1	3/16" Chain x 36"L	B08-145-007	BLMEBT4-CHN	1
2	Snap Hook	B08-145-008	BLMEBT4-SNHK	1
3	Knob	B08-025-004	BLMEBT4-KNB	1
4	Anchor Shackle	B08-145-003	BLMEBT4-ANSKL-1	1
5	2 Ton Swivel Hook	B08-145-001	BLMEBT4-2TSWHK	1
6	Clevis Grab Hook	B08-145-009	BLMEBT4-CGHK	1
7	Anchor Shackle	B08-145-010	BLMEBT4-ANSKL-2	1

Model BLM-EBT-6

ITEM NO.	DESCRIPTION	ENGINEER NO.	PART NO.	QUANTITY
1	3/16" Chain x 36" L	B08-145-007	BLMEBT6-CHN	1
2	Snap Hook	B08-145-008	BLMEBT6-SNHK	1
3	Knob	B08-025-004	BLMEBT6-KNB	1
4	Anchor Shackle	B08-145-004	BLMEBT6-ANSKL	2
5	3 Ton Swivel Hook	B08-145-002	BLMEBT6-3TSWHK	2