

BHTD SERIES

HYDRAULIC TOP OF DOCK LEVELER

OWNERS MANUAL

**INSTALLATION • OPERATION
SERVICE • REPAIR PARTS**



Beacon Industries, Inc.

12300 Old Tesson Rd. • St. Louis, MO 63128-2247 USA

Phone: (314) 487-7600 Fax: (314) 487-0100

www.beacontechology.com

E-Mail: sales@beacontechology.com

BEACON

QUALITY MATERIAL HANDLING EQUIPMENT

Beacon Industries, Inc.

Phone: 314-487-7600

7321 S. Lindbergh Blvd, Suite 215

Fax: 314-487-0100

St. Louis, Missouri 63125-4500 U.S.A.

Hydraulic Top Of Dock

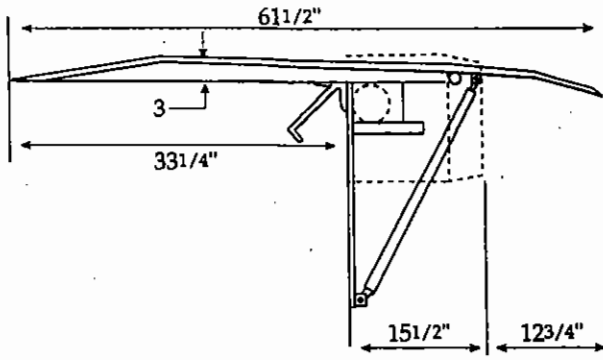
Model NO. HTD72

Installation Instructions

1. Remove all existing bumper materials and obstructions from dock edge and sweep clean.
2. Place unit at desired location on dock surface with base plate of unit tight against dock face. Remove shipping bands from hydraulic cylinder and mounting bracket. Place bracket on anchor bolts and tighten nuts in place. (Do not attach cylinder).
3. Anchoring: use 13/16" holes in leveler as guides for drilling holes in concrete. Use 5/8" x 5" (min.) anchors.
 1. Extend lip forward and support safely with timber brace or other secure means.
 2. Drill and anchor two outside holes in base plate and draw unit tight to dock.
 3. Proceed to rear of unit and anchor all six bolts.
 4. Next, anchor side brackets.
 5. Complete anchoring base plate either by continuous welding to dock edge steel, or bolting all six holes.
 6. Set bump blocks in place on each side of unit and secure by welding to dock edge steel and bolting to dock if steel is less than 6" channel or angle.
Anchors at rear must be welded to deck plate, cut off, and ground down to no more than 1/4" above deck surface. Tack weld all hex nuts to leveler and bumpers.
4. Install Cylinder (hose entrance at bottom) on lower mounting tab then connect to lip tab. Lock clevis in place with keys. Connect free end of hydraulic hose to pump fitting. Check fluid level to insure reservoir is full replace plug cap with vent cap supplied with unit.
5. Connect electrical according to prevailing codes. Standard motor: 1 h -1ph - can be wired for 110 or 220 volts.
6. Check operation to insure unit works correctly. Unit should raise and lip will extend and lock in position. When unit settles to floor of trailer lip lock will disengage. Unit may be recycled with truck in place by raising unit until lip edge clears the rear of trailer then releasing switch.

Hydraulic "Top of Dock" Submittal Drawing

1/01

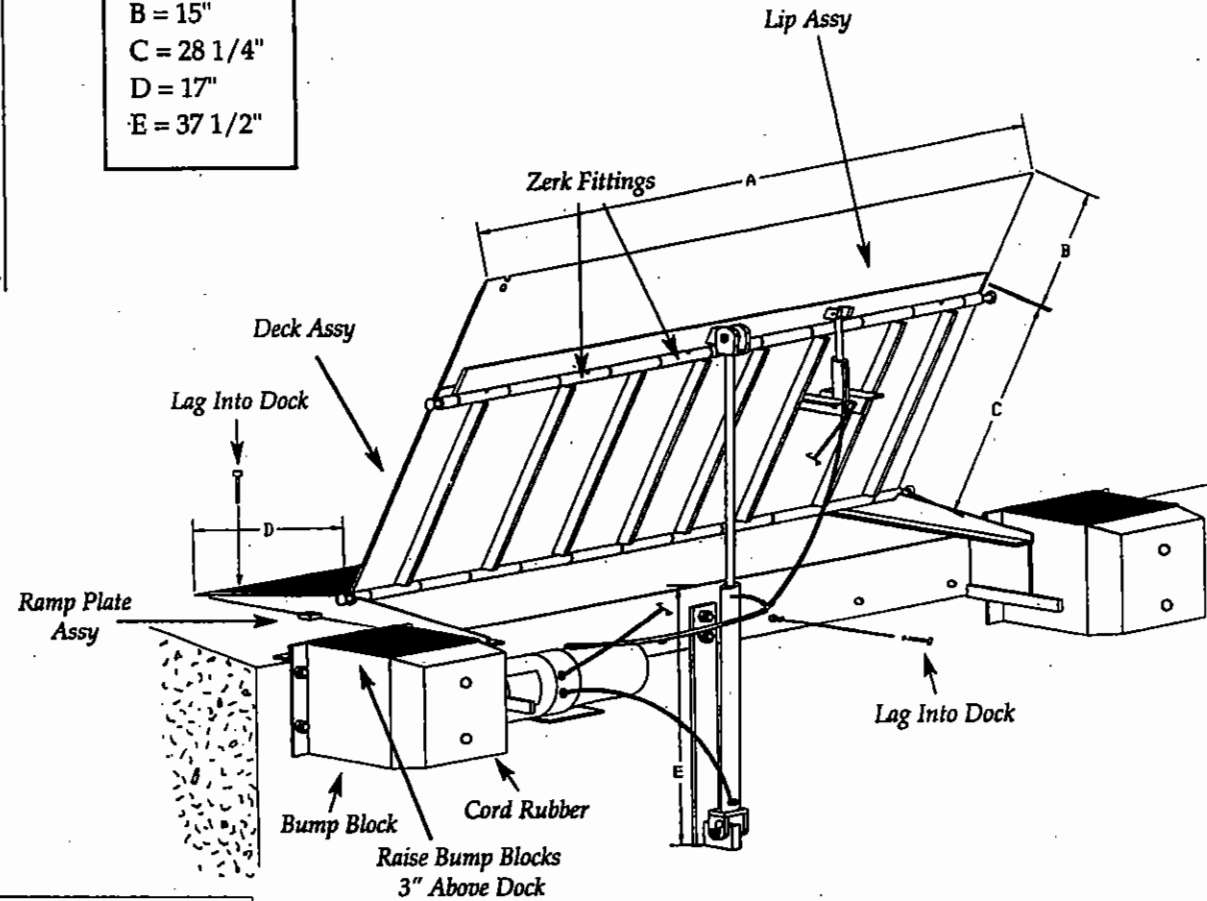


A = 72"
 B = 15"
 C = 28 1/4"
 D = 17"
 E = 37 1/2"

- OPTIONAL EQUIPMENT**
- 18" Vertical bump blocks for low dock heights
 - Single Phase, 230V
 - 3 Phase Motor
 - 230 Volt
 - 460 Volt
 - 4" Underframe*
 - 6" Underframe*

*Underframe to be used on exceptionally low dock

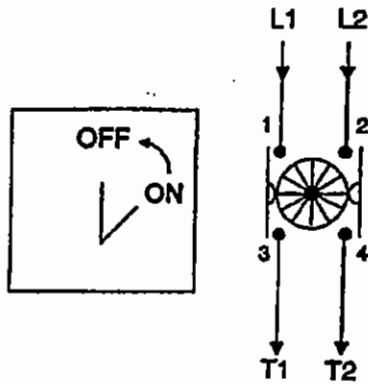
NOTES:
 Bolt-On Installation Requires
 20 Anchors 5/8" x 5" Minimum



| MODEL | CAPACITY |
|---------------------------------|-------------|
| <input type="checkbox"/> HTD72 | 20,000 lbs. |
| <input type="checkbox"/> HTD72H | 25,000 lbs. |

JOB

SCHEME RC02 2-POLE OFF-ON SPRING-RETURN TO CENTER



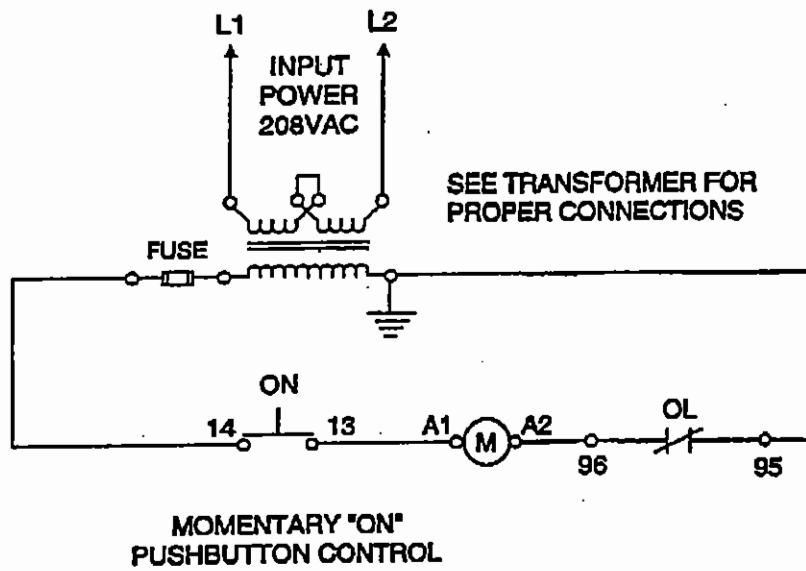
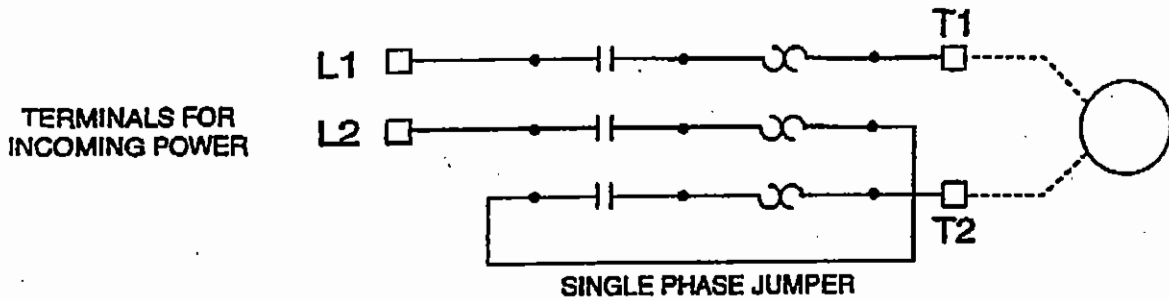
| | | | | |
|-----------------|--------------------------|-----|---|---|
| SWITCH POSITION | <input type="checkbox"/> | ON | X | X |
| | <input type="checkbox"/> | OFF | | |
| CONTACTS | | 1 | 3 | |
| | | 2 | 4 | |
| STAGES | | 1 | | |

| |
|--|
| |
|--|

| |
|--|
| |
|--|

| SCALE | DRAWN | DATE | DRAWING NUMBER | PAGE | REV |
|-------|-------|----------|----------------|------|-----|
| | PJF | 11/28/00 | SCHRC02 | | |

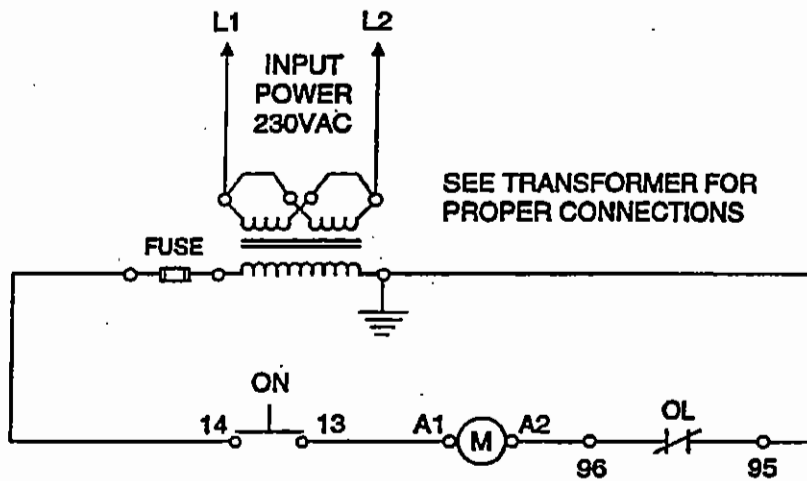
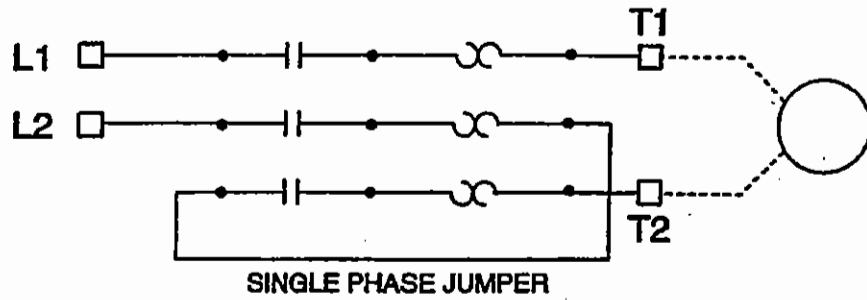
SINGLE PHASE STARTER 50-3411



| SCALE | DRAWN | DATE | DRAWING NUMBER | REV |
|-------|-------|----------|----------------|-----|
| | PJF | 03/15/01 | 50-3411 | |

SINGLE PHASE STARTER 50-3412

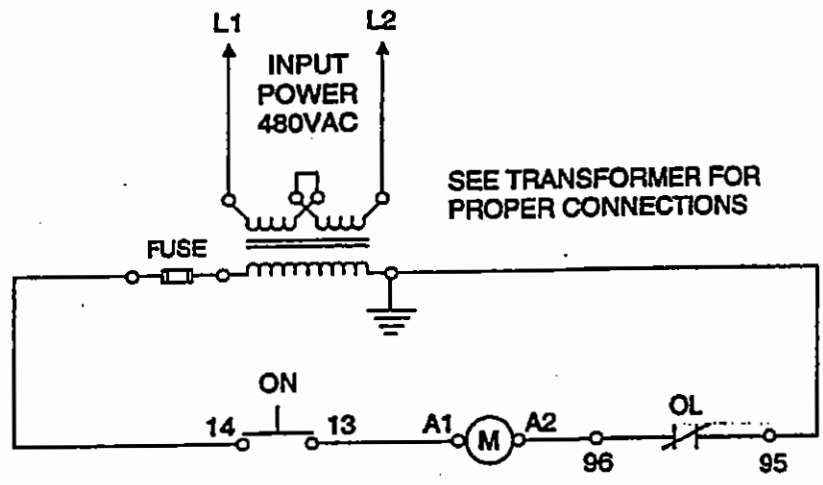
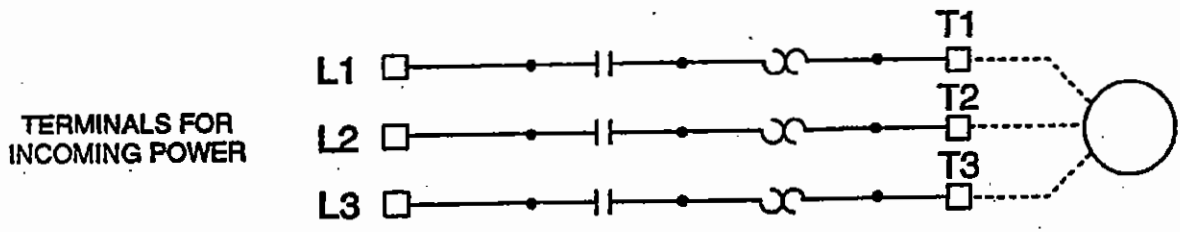
TERMINALS FOR
INCOMING POWER



MOMENTARY "ON"
PUSHBUTTON CONTROL

| SCALE | DRAWN | DATE | DRAWING NUMBER | REV |
|-------|-------|----------|----------------|-----|
| | PJF | 07/31/00 | 50-3412-B | B |

THREE PHASE STARTER 50-3413



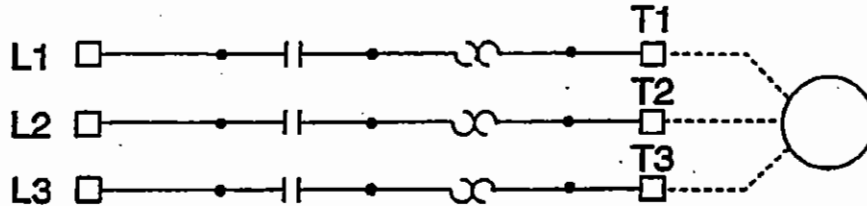
MOMENTARY "ON"
PUSHBUTTON CONTROL

| | | | |
|--|--|--|--|
| | | | |
| | | | |

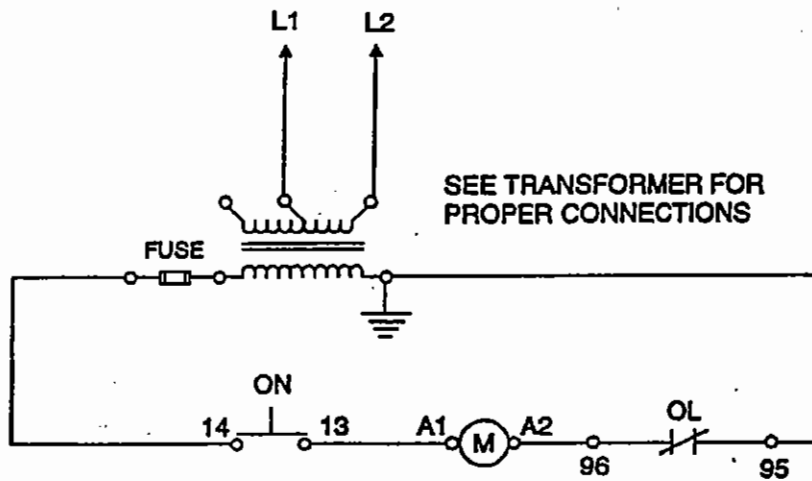
| SCALE | DRAWN | DATE | DRAWING NUMBER | REV |
|-------|-------|----------|----------------|-----|
| | PJF | 01/04/01 | 50-3413-B | B |

THREE PHASE STARTER 50-3433

TERMINALS FOR
INCOMING POWER



INPUT
POWER
208VAC



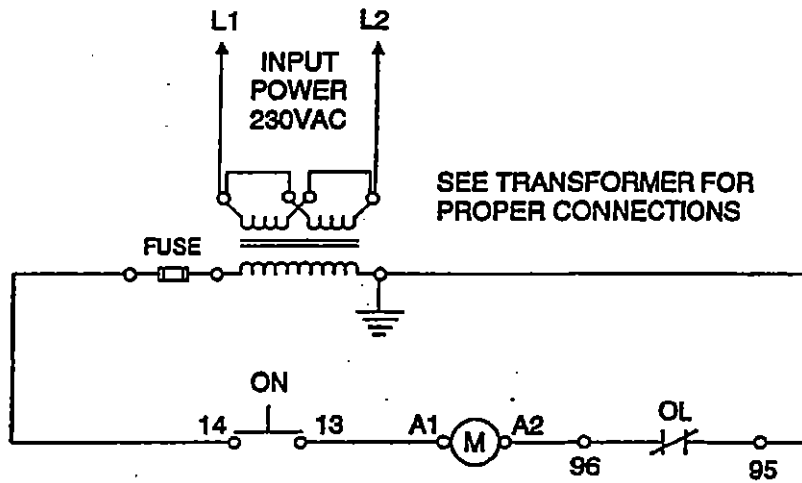
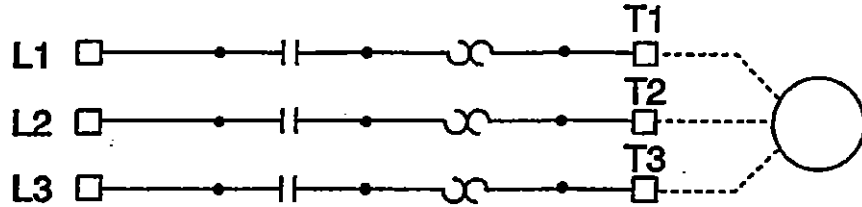
SEE TRANSFORMER FOR
PROPER CONNECTIONS

MOMENTARY "ON"
PUSHBUTTON CONTROL

| SCALE | DRAWN | DATE | DRAWING NUMBER | REV |
|-------|-------|----------|----------------|-----|
| | PJF | 01/04/01 | 50-3433-B | B |

THREE PHASE STARTER 50-3361

TERMINALS FOR
INCOMING POWER



SEE TRANSFORMER FOR
PROPER CONNECTIONS

MOMENTARY "ON"
PUSHBUTTON CONTROL

| | |
|--|--|
| | |
| | |

| SCALE | DRAWN | DATE | DRAWING NUMBER | REV |
|-------|-------|----------|----------------|-----|
| | PJF | 01/04/01 | 50-3361-B | B |

5.1 Beacon Industries, Inc. Limited Warranty

Beacon Industries, Inc. warrants that this BHTD Series Hydraulic Top Of Dock -Dock Leveler will be free from defects in design, materials and workmanship on all structural parts for a period of exactly two (2) years from date of shipment. All claims for breach of this warranty must be made within thirty (30) days after the defect is or can, with reasonable care, be detected and in no event more than two (2) years after shipment. This warranty is extended to the original purchaser of this product and is non transferable.

Beacon warrants that this BHTD Series Hydraulic Top Of Dock -Dock Leveler will be free from defects in design, materials and workmanship on all hydraulic parts for a period of exactly one (1) year from date of shipment. All claims for breach of this warranty must be made within thirty (30) days after the defect is or can, with reasonable care, be detected and in no event more than one (1) year after shipment.

Beacon warrants that this BHTD Series Hydraulic Top Of Dock -Dock Leveler will be free from defects in design, materials and workmanship on all electrical parts for a period of exactly one (1) year from date of shipment. All claims for breach of this warranty must be made within thirty (30) days after the defect is or can, with reasonable care, be detected and in no event more than one (1) year after shipment.

In order to be entitled to the benefits of this warranty, the unit must have been properly installed, maintained, operated within its capacity, and not otherwise abused. Ninety (90) day periodic maintenance and adjustment is the sole responsibility of the owner.

This warranty is Beacon's exclusive expressed warranty.

Beacon expressly disclaims all implied warranties including the implied warranties of merchantability and fitness.

In the event of any defects covered by this warranty, Beacon will remedy such defects by repairing or replacing any defective equipment or parts, bearing all of the costs for parts, from Beacon to site. This shall be the exclusive remedy for all claims whether based on contract, negligence, or strict liability. **Beacon shall not, in any event, be liable for any loss of the use of any equipment or incidental or consequential damages of any kind.**

5.1 Beacon Industries, Inc. Limited Warranty Cont'd.

Maintenance and validation by original purchaser is required to keep Warranty in effect. In order to keep this Warranty in effect, the original purchaser must do two things:

First: The original purchaser must have the BHTD Series Hydraulic Top Of – Dock -Dock Leveler maintained and serviced as prescribed in the Owner's Manual.

Second: The original purchaser must present the seller with a maintenance schedule to show that the BHTD Series Hydraulic Top Of Dock -Dock Leveler has been maintained and serviced in accordance with the Beacon's Owner's Manual. The validated maintenance schedule must be submitted whenever a claim is made under this Warranty.

Items not covered by Warranty. The seller does not cover:

(i) Defects, damage or deterioration due to normal use, wear and tear or exposure; (ii) normal maintenance services; (iii) the replacement of service items, i.e., fluid; (iv) damage or defects due to misuse, water damage, electrical power supply surges, improper installation, alteration, negligence or accident; and (v) damage or defects due to the repair of the BHTD Series Hydraulic Top Of Dock -Dock Leveler by someone other than an authorized dealer or the installation of parts other than genuine Beacon part.

No other warranties made. This Warranty is in lieu of all other express or implied warranties of The Beacon BHTD Series Hydraulic Top Of Dock -Dock Leveler, the manufacturer and the selling dealer, including any implied warranty of merchantability or fitness for any particular purpose. Neither Beacon Industries, Inc. assumes, or authorizes any person to assume, on its behalf, any other obligation or liability.

Some states do not allow the exclusion on limitation of implied warranties or liability for incidental or consequential damages, so the above limitations or exclusions may not apply to you.

This Warranty and, any and all claims that may arise shall be construed according to the laws of the State of Missouri, USA.