

**Drum Handling Solutions**

# OWNER'S MANUAL

## FORK MOUNTED DRUM LIFTERS

**Contents**

Warnings and Safety Instructions ..... 1 & 2  
 Receiving Instructions & Warranty ..... 1  
 Operating Instructions ..... 2  
 Periodic Maintenance Instructions ..... 2

Eagle Beak Drum Lifter ..... 3-6  
 Fork Mounted Bottom Poly Drum Lifter ..... 7-9  
 Fork Mounted Top Poly Drum Lifter ..... 10-12  
 Deluxe Combination Drum Lifter ..... 13-15  
 Warning Label Identification ..... 16

**WARNINGS & SAFETY INSTRUCTIONS**

*Read owner's manual completely before operating unit!*

- Never operate drum lifter unless you are watching it.
- Never use the drum lifter if the unit is in need of repairs or in the case of a malfunction.
- Do not stand below any part of a raised drum lifter or drum.
- Never exceed maximum loading capacity of the drum lifter
- Always load drum at the center of the drum lifter.
- Consult factory for uneven loading.
- When elevation is not required, always transport the drum in the lowered position.
- Do not allow drum to impact on floor, ground, or dumping station etc., or there may be damage to the unit.
- Remove drum before working on unit.
- Consult factory if adding or performing any modification to the original equipment.
- Use only maintenance parts supplied or approved by the manufacturer.
- Make sure all operator safety labels are in place (p.2).

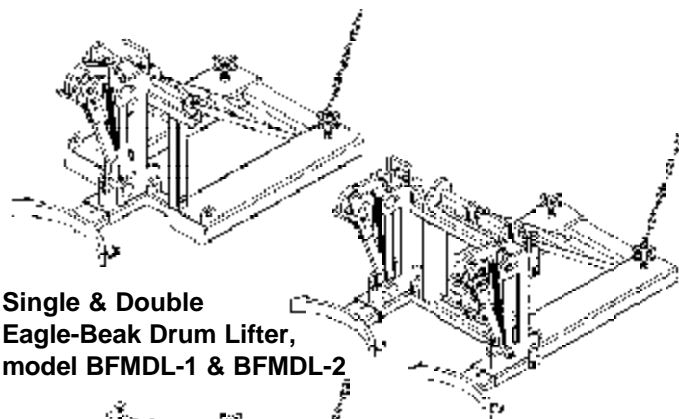
**RECEIVING INSTRUCTIONS**

Every unit is thoroughly tested and inspected prior to shipment. However, it is possible that the unit may incur damage during transit. If damage is noticed when unloading, make a note of it on the **BILL OF LADING**. Remove all packing and strapping material, then inspect the unit again for damage. **IF DAMAGE IS EVIDENT, FILE A CLAIM WITH THE CARRIER IMMEDIATELY!**

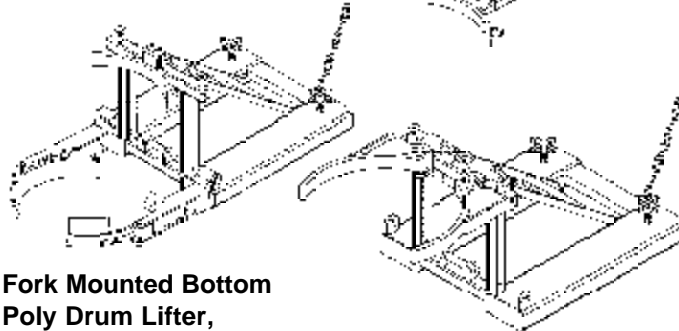
**WARRANTY**

This product is warranted for 90 DAYS from date of purchase to be free of manufacturing defects in material and workmanship.

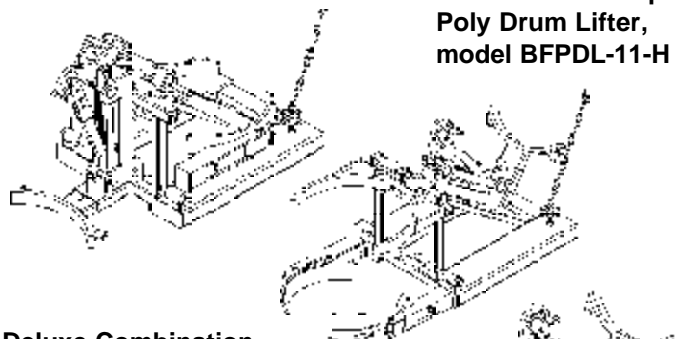
This warranty does not cover normal wear of parts or damage resulting from any of the following: negligent use or misuse of the product, use or application contrary to installation instructions, or disassembly, repair or alteration by any person prior to authorization from a factory representative.



**Single & Double Eagle-Beak Drum Lifter, model BFMDL-1 & BFMDL-2**



**Fork Mounted Bottom Poly Drum Lifter, model BFPDL-8-L**



**Fork Mounted Top Poly Drum Lifter, model BFPDL-11-H**

**Deluxe Combination Fork Mounted Drum Lifter, model BDFDL-3**

(Shown in Eagle-Beak, Bottom Poly Drum Lifter and Top Poly Drum Lifter)

---

## Safety Instructions for the Operator

- 1.) Please read all instructions THOROUGHLY before attempting to operate your new Drum Lifter.
- 2.)
  - a) The Model BFMDL-1 intended to lift and move a 30 or 55 gallon, open and closed head plastic, steel and fiber drums with a top lip strong enough to support the weight of the drum, and has a MAXIMUM CAPACITY RATING of 1,000 pounds.
  - b) The model BFMDL-2 is intended to lift two 30 or 55 gallon, open and closed head, plastic, steel and fiber drums with top lip strong enough to support the weight of the drum, and has a MAXIMUM CAPACITY RATING of 2,000 pounds for two drums (1,000 pounds per drum).
  - c) The model BFPDL-8-L is intended to lift and move a 55 gallon, round bottom plastic drums and has a MAXIMUM CAPACITY RATING OF 800 pounds.
  - d) The model BFPDL-11-H is intended to lift and move a 30 or 55 gallon, closed head, plastic drums with a top lip at least 3/16" high; and has a MAXIMUM CAPACITY RATING of 1,000 lbs.
  - e) The model BDFDL-3 is intended to lift and move 30 or 55 gallon, open or closed head, steel, plastic, and fiber drums with MAXIMUM CAPACITY RATINGS as follows:
    - Single Eagle-Beak: 1,000 lbs.
    - Bottom Lip Poly Drum Lifter: 800 lbs.
    - Top Lip Poly Drum Lifter: 1,100 lbs.
- \*\* DO NOT exceed these ratings as the unsafe condition that may result could cause damage or excessive wear, or make the unit awkward to handle.
- 3.) When operating, loading, unloading or maintaining your drum lifter, always use care and good judgement, have good footing and a firm hold. Keep hands and loose clothing, etc. away from all moving parts. Never allow anyone to be below any parts of a raised drum lifter or drum. Read operating instructions before operation.

## Operating Instructions for BFMDL-1 and BFMDL-2

- 1.) Adjust the forks so that the inside width between the forks will fit into the fork pockets. One fork must be locked to the bed plate.
- 2.) Drive the truck forward to slip forks into the fork sleeves. Attach safety chain to mast to secure drum lifter to forks.
- 3.) Tilt the fork truck mast forward and drive the truck with the forks near floor level to center the lifter in front of the drum until the lifter, contacts the drum at the bottom drum grip.
- 4.) With the mast still in the tilted forward position, raise the forks up.
- 5.) When the upper jaw on the drum lifter engages the top of the drum lip, straighten the mast and raise the forks to transport the drum. Attach the ratcheting strap to the bottom drum grip and tighten it around the drum.
- 6.) To release the drum, remove ratcheting strap and lower the forks so that the drum sets flat on the floor and continue to lower forks until the upper jaw disengages itself.

## Operating Instructions for BFPDL-8-L

- 1.) (same as BFMDL-1 & BFMDL-2 Step #1)
- 2.) (same as BFMDL-1 & BFMDL-2 Step #1)
- 3.) Tip the forks down so the bottom grip arms are approximately parallel to the floor and as close to the floor as possible.
- 4.) Center the drum lifter on the drum and drive forward until the drum comes into contact with the upper support bracket.
- 5.) Raise the forks to transport the drum.
- 6.) To release the drum, tilt the forks forward, set the drum down and back the fork truck away from the drum.

## Operating Instructions for BFPDL-11-H

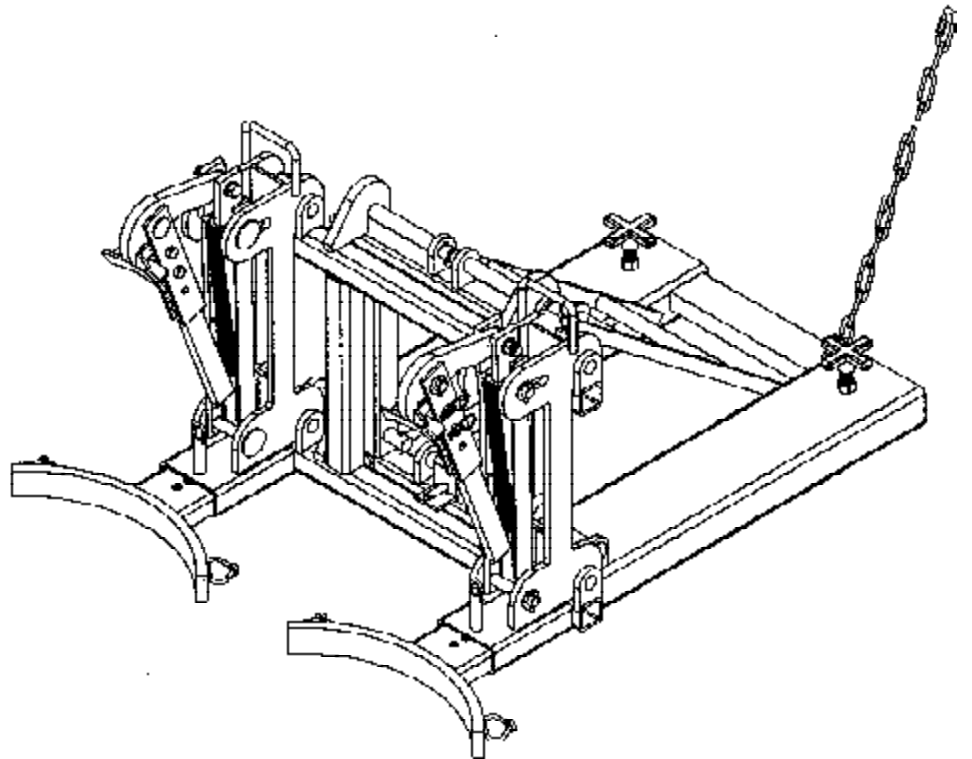
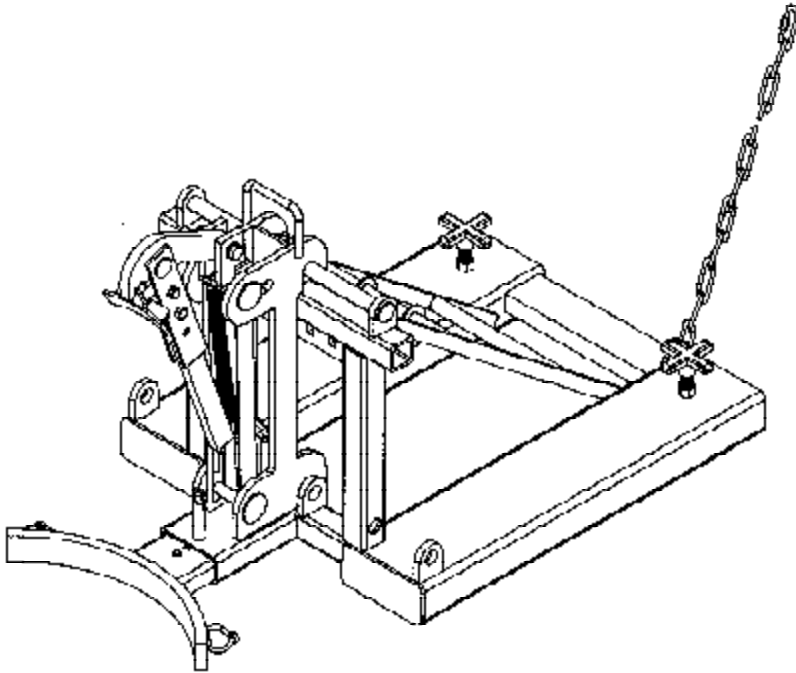
- 1.) (same as BFMDL-1 & BFMDL-2 Step #1)
- 2.) (same as BFMDL-1 & BFMDL-2 Step #1)
- 3.) Raise the unit and tilt the forks forward to separate the arms slightly.
- 4.) Lower the unit over the top of the drum until the arms are at the desired lifting point on the drum.
- 5.) Raise the forks and tilt them back keeping the drum as close to the floor as possible while transporting.
- 6.) To release the drum, tilt the forks forward, lower drum to the ground and back away from the drum.

## Periodic Maintenance Instructions

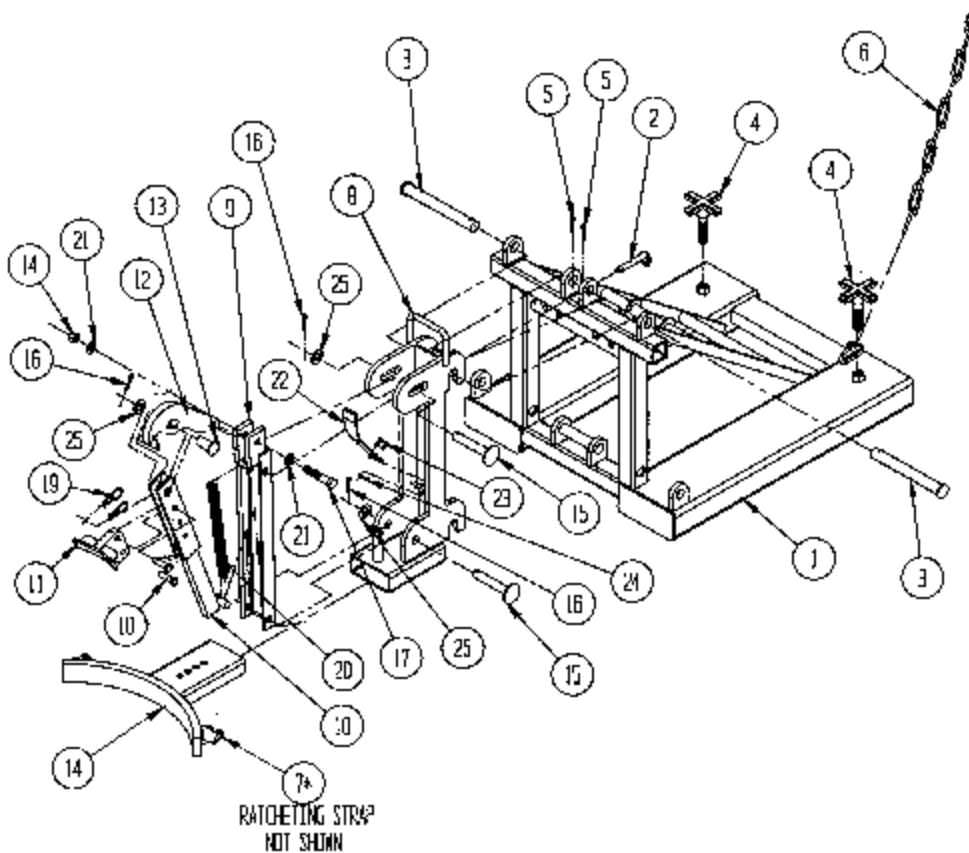
Lubricate all pivot with light oil as needed.

---

**Single & Double Eagle-Beak Drum Lifter,  
model BFMDL-1 & BFMDL-2**

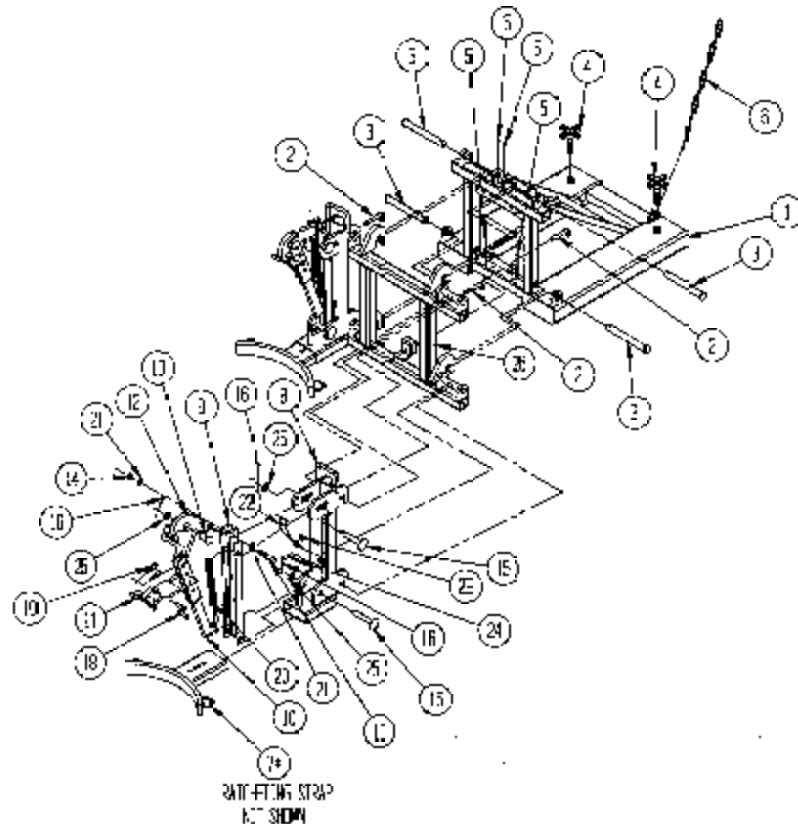


# SINGLE EAGLE-BEAK DRUM LIFTER MODEL BFMDL-1



ITEM NO.	DESCRIPTION	ENGINEER NO.
1	Frame, Weldment, Eagle Beak Base	B40-514-008
2	Pin, Hitch, 1/2 x 2-2/3 Lg.	BDIR-99
3	Pin, Weldment, Main, 1-3/8 OD x 1 ID x 8-5/8 Lg.	B40-612-003
4	Knob, 3/4-10 Unc Thread	B08-025-004
5	Pin, Cotter, 3/16 x 1-1/2 Lg.	B65125
6	Specialty Hardware, Chain, 5/16 x 48 Lg.	B37-145-004
7	Ratcheting Strap (not shown)	BI-RS
8	Frame, Weldment, Eagle Beak Handle	B40-514-006
9	Frame, Weldment, Eagle Beak Channel	B40-514-018
10	Frame, Weldment, Eagle Beak Tube	B40-514-011
11	Bracket, Weldment, Eagle Beak, Small Grip	B40-516-001
12	Bracket, Weldment, Eagle Beak, Large Grip	B40-516-002
13	Pin, Weldment, 1-3/8 OD x 7/8 x 1-3/4 Lg. Shaft	B40-612-001
14	Nut, Hex, 5/8-18 Unc	B63163
15	Pin, 3/4 x 4-1/2 Lg.	BCP-3/4X4-1/2-Z
16	Pin, cotter, 3/16 x 1-1/4 Lg.	B65125
17	Bolt, Hex Head, 5/8-18 Unc x 3 Lg.	B16315
18	Pin, 1/2 x 1-1/2 Under Head to Side of Hole	BCP-1/2X1-3/4-Z
19	Clip, Hitch Pin, Trade Size 11	B45286
20	Spring, Tension	BFMDL-SPG
21	Washer, Flat 5/8	B33015
22	Frame, Spring Steel, 5/64 x 1-1/2 x 10 Lg.	B40-014-029
23	Bolt, Hex Head, 1/4 - 20 Unc x 5/8 Lg.	B11003
24	Nut, Hex, Nylok, 1/4 - 20 Unc	B37018
25	Machinery Bushing, 1-1/2 OD x 3/4 ID x 14 Ga.	B33474

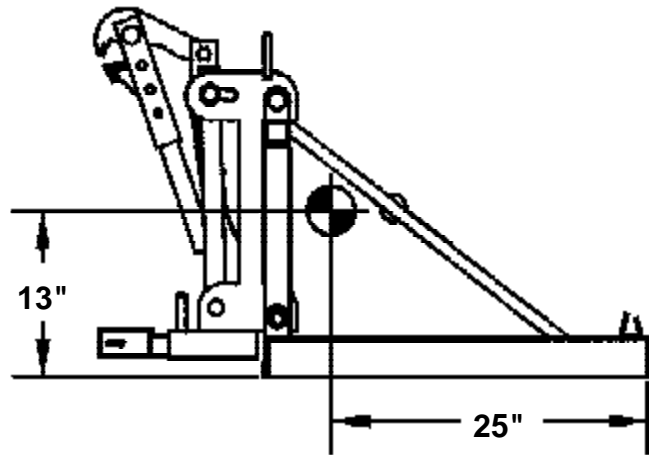
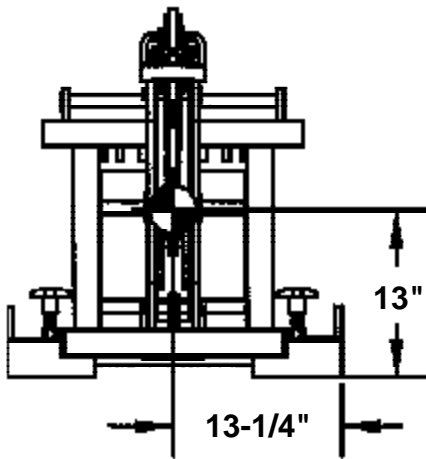
## DOUBLE EAGLE-BEAK DRUM LIFTER MODEL BFMDL-2



ITEM NO.	DESCRIPTION	ENGINEER NO.
1	Frame, Weldment, Eagle Beak Base	B40-514-008
2	Pin, Hitch, 1/2 x 3-3/4 Lg.	BDIR-99
3	Pin, Weldment, Main, 1-3/8 OD x 1 ID x 8-5/8 Lg.	B40-612-003
4	Knob, 3/4-10 Unc Thread	B08-025-004
5	Pin, Cotter, 3/16 x 1-1/2 Lg.	B65125
6	Specialty Hardware, Chain, 5/16 x 48 Lg.	B37-145-004
7	Ratcheting Strap (not shown)	BI-RS
8	Frame, Weldment, Eagle Beak Handle	B40-514-006
9	Frame, Weldment, Eagle Beak Channel	B40-514-018
10	Frame, Weldment, Eagle Beak Tube	B40-514-011
11	Bracket, Weldment, Eagle Beak, Small Grip	B40-516-001
12	Bracket, Weldment, Eagle Beak, Large Grip	B40-516-002
13	Pin, Weldment, 1-3/8 OD x 7/8 x 1-3/4 Lg. Shaft	B40-612-001
14	Nut, Hex, 5/8-18 Unc	B63163
15	Pin, 3/4 x 4-1/2 Lg.	BCP-3/4X4-1/2-Z
16	Pin, cotter, 3/16 x 1-1/4 Lg.	B65125
17	Bolt, Hex Head, 5/8-18 Unc x 3 Lg.	B16315
18	Pin, 1/2 x 1-1/2 Under Head to Side of Hole	BCP-1/2X1-3/4-Z
19	Clip, Hitch Pin, Trade Size 11	B45286
20	Spring, Tension	BFMDL-SPG
21	Washer, Flat 5/8	B33015
22	Frame, Spring Steel, 5/64 x 1-1/2 x 10 Lg.	B40-014-029
23	Bolt, Hex Head, 1/4 - 20 Unc x 5/8 Lg.	B11003
24	Nut, Hex, Nylok, 1/4 - 20 Unc	B37018
25	Machinery Bushing, 1-1/2 OD x 3/4 ID x 14 Ga.	B33474
26	Frame, Weldment, FMDL-2 Attachment	B40-514-007

---

**SINGLE EAGLE-BEAK DRUM LIFTER • BFMDL-1**



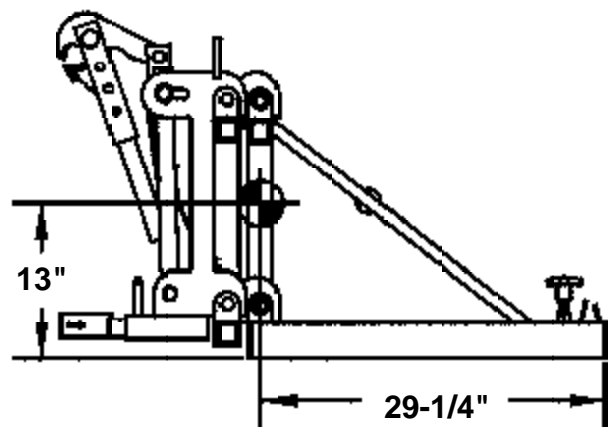
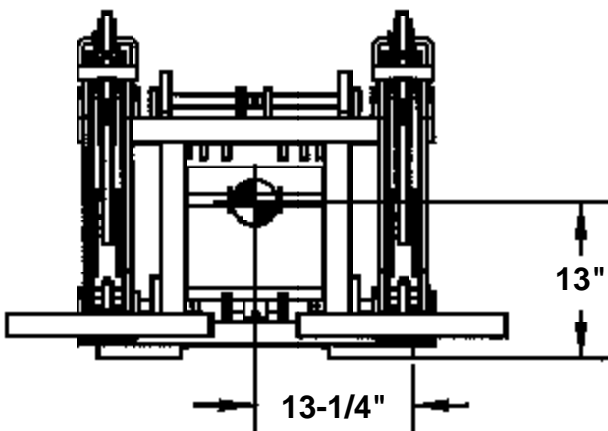
Capacity: 1,000 lbs.

Total : 240 pounds (Lost Load)

Fork Tubes: 6-1/2"W x 2-1/2"H

---

**DOUBLE EAGLE-BEAK DRUM LIFTER • BFMDL-2**



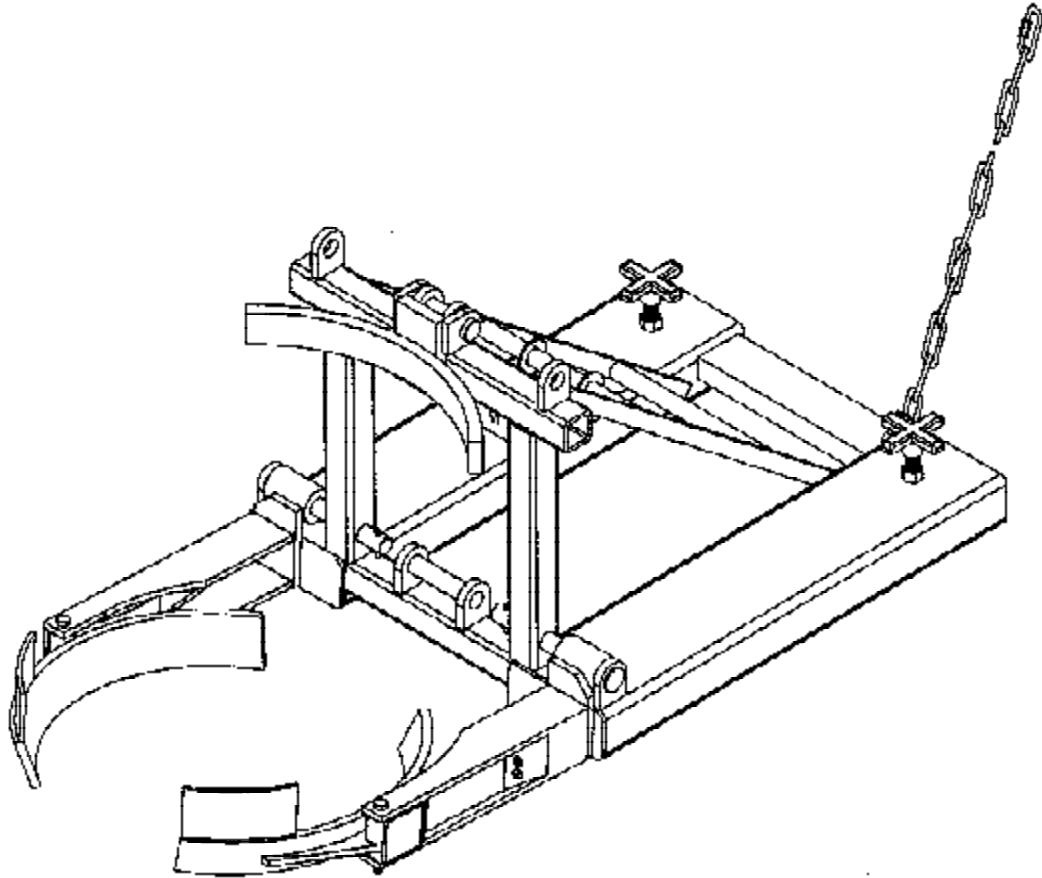
Capacity: 2,000 lbs.

Total : 340 pounds (Lost Load)

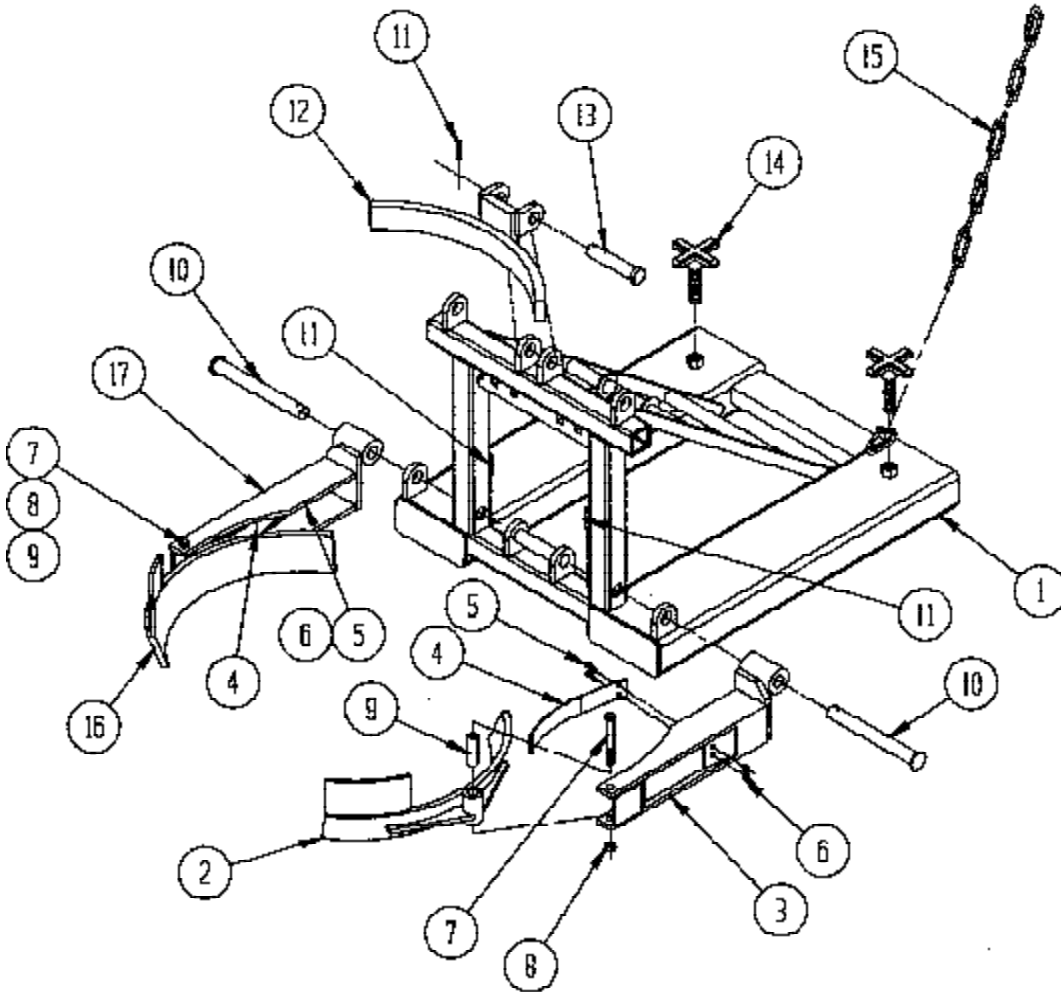
Fork Tubes: 6-1/2"W x 2-1/2"H

---

**FORK MOUNTED BOTTOM POLY DRUM LIFTER,  
MODEL BFPDL-8-L**



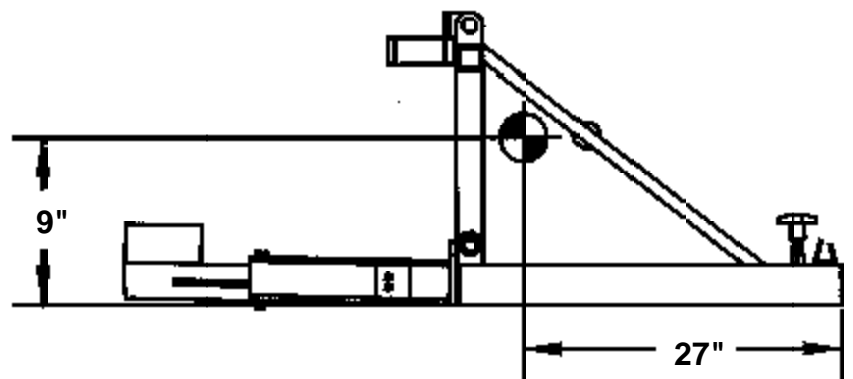
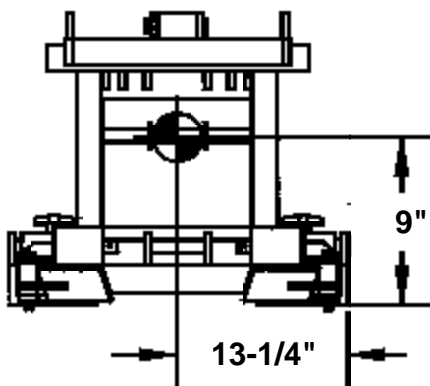
# FORK MOUNTED BOTTOM POLY DRUM LIFTER MODEL BFPDL-8-L



ITEM NO.	DESCRIPTION	ENGINEER NO.
1	Frame, Weldment, Eagle-Beak Base	B40-514-008
2	Frame, Weldment, Grip, Left Side, Lower Drum Grip	B40-514-020
3	Frame, Weldment, Arm, Left Side, Lower Drum Grip	B40-512-019
4	Frame, Bar, Spring Steel	B40-014-029
5	Bolt, Hex Head, 1/4 - 20 unc x 3/4 lg.	n/a
6	Nut, Hex, Nylok, 1/4 - 20 unc	n/a
7	Bolt, Hex Head, 1/2 - 13 unc x 4 lg.	n/a
8	Nut, Hex, Nylok, 1/2 - 13 unc	n/a
9	Tube, Axle Sleeve, 3/4 od x 1 id x 8-5/8 lg.	n/a
10	Pin, Weldment, Main, 1 3/8 od x 1 id x 8-5/8 lg.	B40-612-003
11	Pin, Cotter, 3/16 x 1-1/2 lg.	n/a
12	Frame, Weldment, Upper Support, Lower Drum Grip	B40-514-021
13	Pin, Retaining, 1-3/16 od x 1 id x 4-1/2 lg.	B15-112-014
14	Knob, 3/4 - 10 unc Thread	n/a
15	Specialty Hardware, Chain 5/16 x 48 lg.	B37-145-001
16	Frame, Weldment, Grip, Right Side, Lower Drum Grip	B40-514-005
17	Frame, Weldment, Arm, Right Side, Lower Drum Grip	B40-514-009

---

**FORK MOUNTED BOTTOM POLY DRUM LIFTER,  
MODEL BFPDL-8-L**



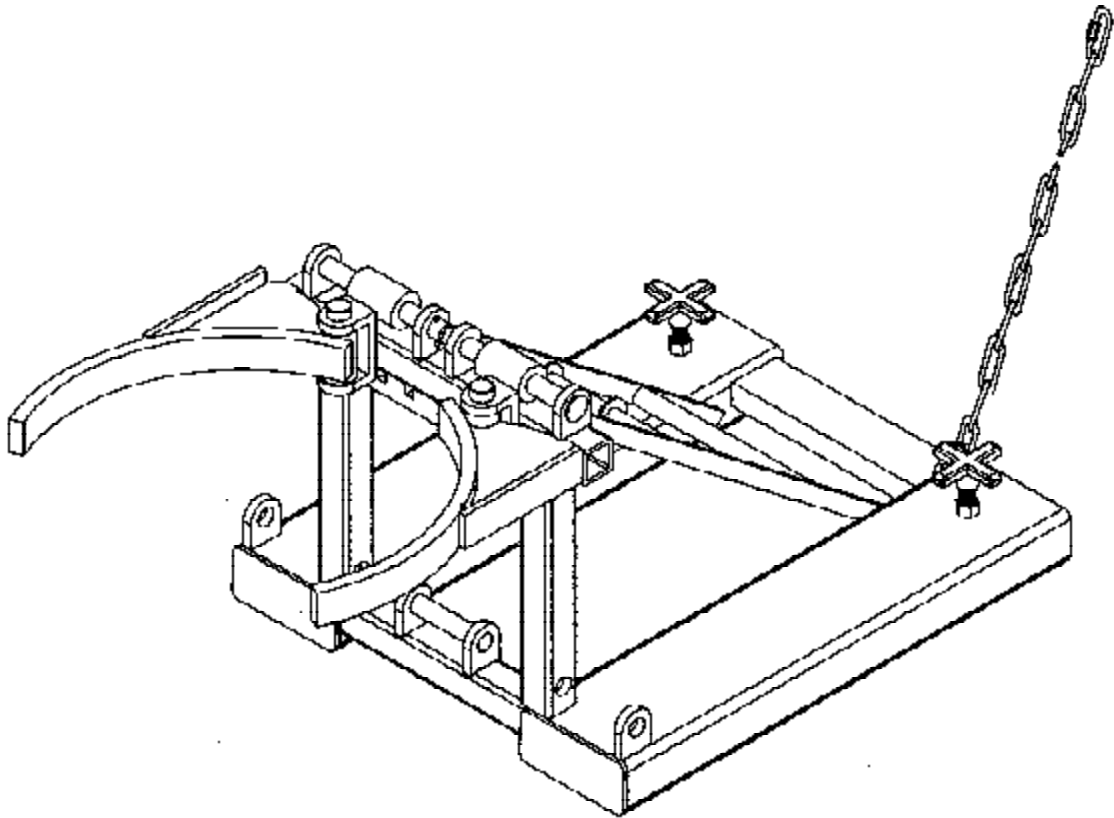
**Capacity: 800 lbs.**

**Total : 185 pounds (Lost Load)**

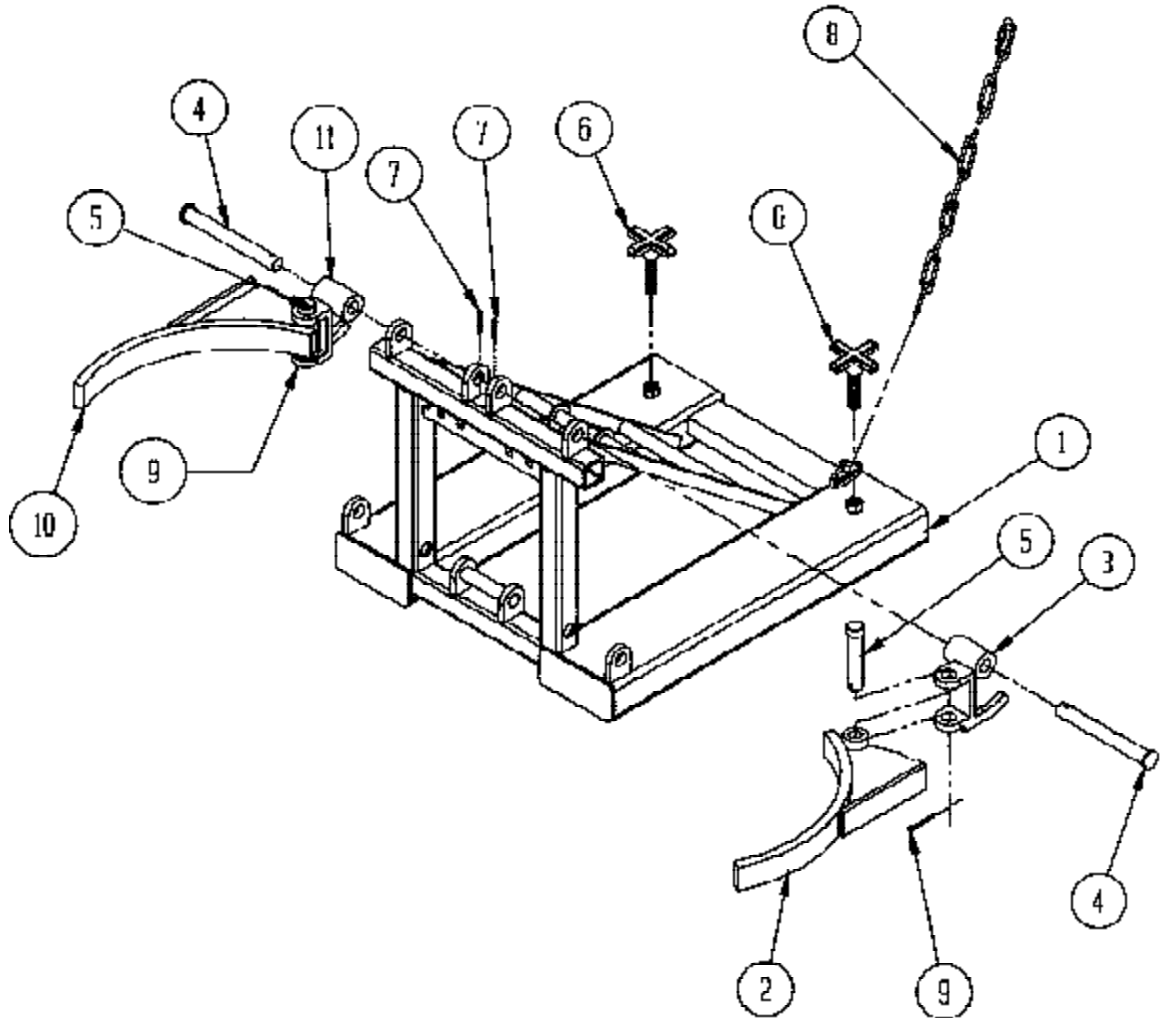
**Fork Tubes: 6-1/2"W x 2-1/2"H**

---

**FORK MOUNTED TOP POLY DRUM LIFTER,  
MODEL BFPDL-11-H**



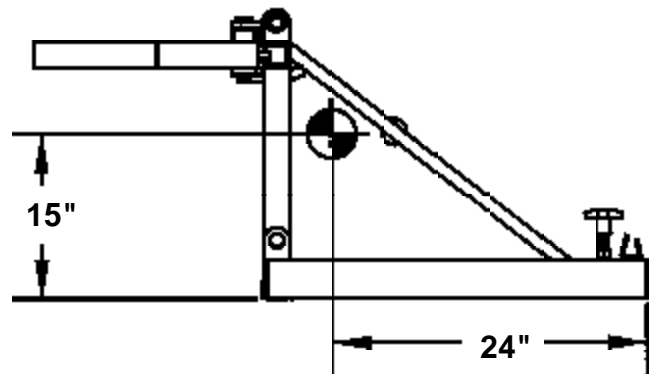
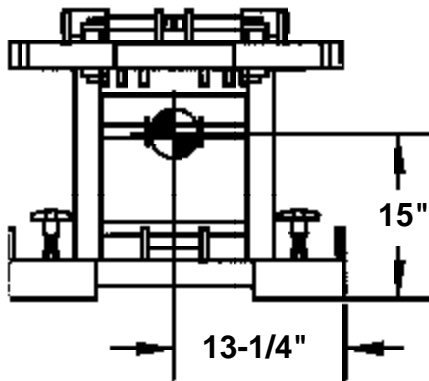
# FORK MOUNTED TOP POLY DRUM LIFTER MODEL BFPDL-11-H



ITEM NO.	DESCRIPTION	ENGINEER NO.
1	Frame, Weldment, Eagle-Beak Base	B40-514-008
2	Frame, Weldment, Arm, Left Side, Lower Drum Grip	B40-514-016
3	Hinge, Weldment, Left Side	B40-512-002
4	Pin, Weldment, Main 1 3/8 od x 1 id x 8-5/8 lg.	B40-612-003
5	Pin, 1 3/16 od x 1 id x 4-1/2 lg.	n/a
6	Knob, 3/4 - 10 unc thread	n/a
7	Pin, Cotter, 3/16 x 1-1/2 lg.	n/a
8	Specialty Hardware, Chain, 5/16 x 48 lg.	B37-145-004
9	Pin, Cotter, 3/16 x 1-1/2 lg.	n/a
10	Frame, Weldment, Arm, Right Side, Upper Drum Grip	B40-514-017
11	Hinge, Weldment, Right Side	B40-512-001

---

**FORK MOUNTED TOP POLY DRUM LIFTER,  
MODEL BFPDL-11-H**



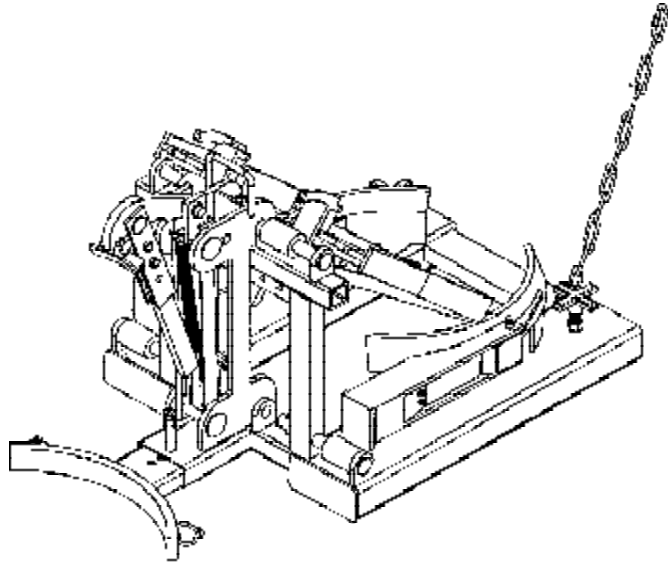
**Capacity: 1,100 lbs.**

**Total : 160 pounds (Lost Load)**

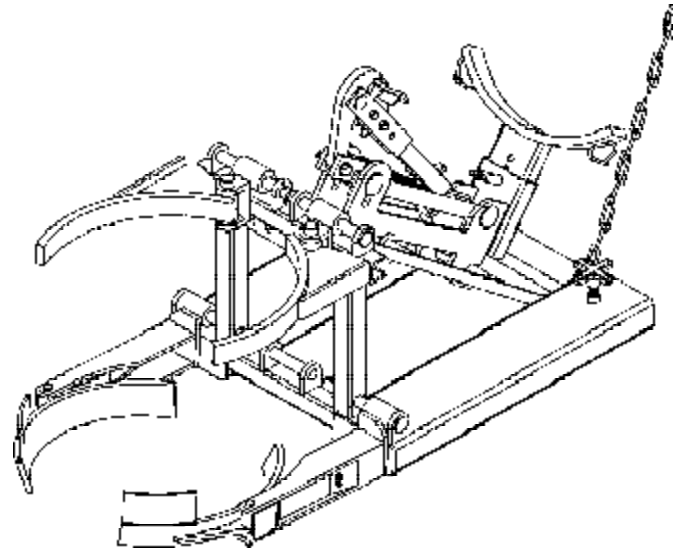
**Fork Tubes: 6-1/2"W x 2-1/2"H**

---

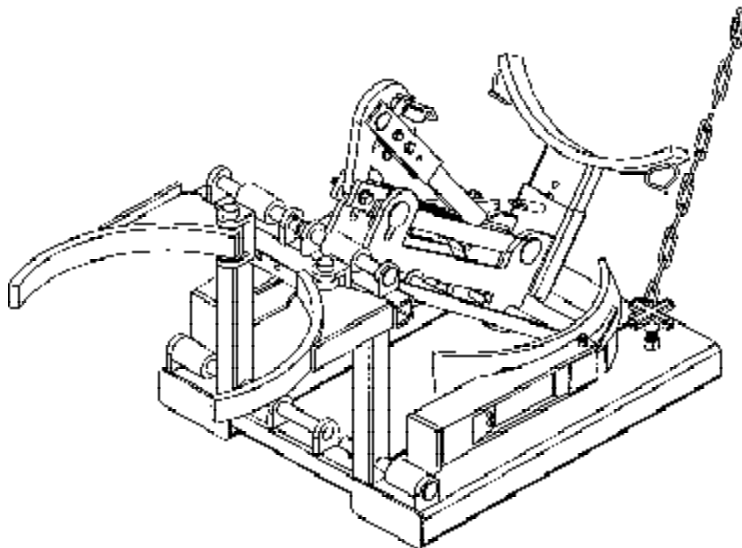
## DELUXE COMBINATION FORK MOUNTED DRUM LIFTER



**MODEL BDFDL-3**  
(shown with Eagle Beak Attachment)

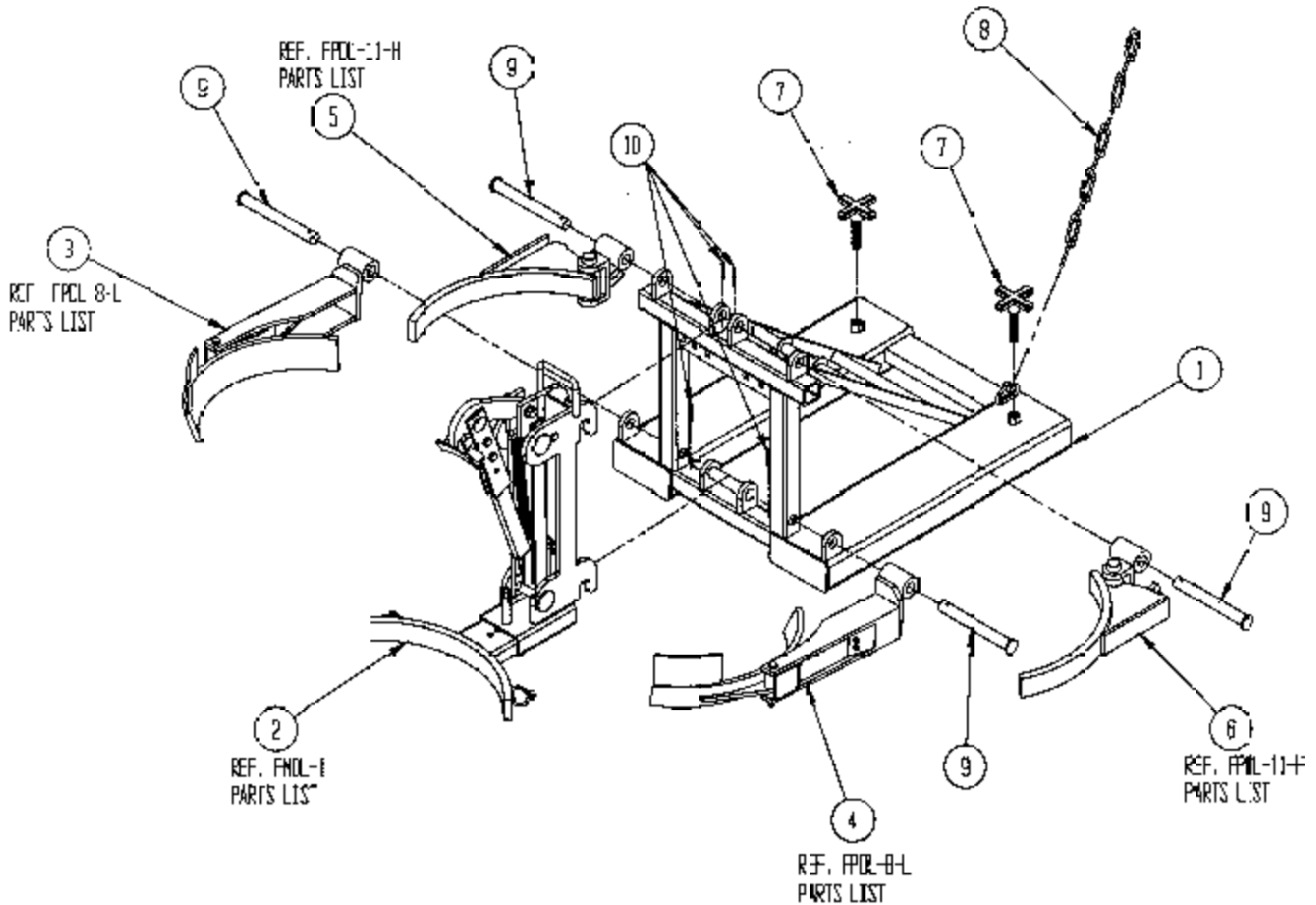


**MODEL BDFDL-3**  
(shown with Bottom Drum Attachment)



**MODEL BDFDL-3**  
(shown with Top Drum Attachment)

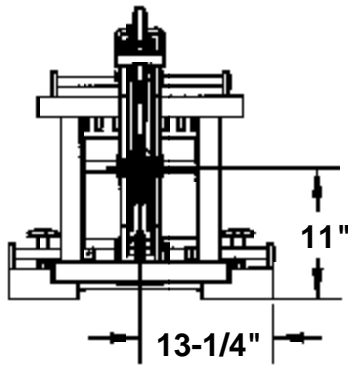
# DELUXE COMBINATION FORK MOUNTED DRUM LIFTER MODEL BDFDL-3



ITEM NO.	DESCRIPTION	ENGINEER NO.
1	Frame, Weldment, Eagle-Beak Base	B40-514-008
2	Frame, Weldment, Eagle-Beak	B40-514-022
3	Frame, Weldment, Left Side, Lower Drum Grip	B40-514-012
4	Frame Weldment, Right Side, Lower Drum Grip	B40-514-013
5	Frame, Weldment, Left Side, Upper Drum Grip	B40-514-014
6	Frame Weldment, Right Side, Upper Drum Grip	B40-514-015
7	Knob, 3/4 - 10 unc Thread	n/a
8	Specialty Hardware, Chain, 5/16 x 48 lg.	B37-145-004
9	Pin, Weldment, Main 1-3/8 od x 1 id x 8-5/8 lg.	B40-514-018
10	Pin, Cotter, 3/16 x 1-1/2 lg.	B40-514-011

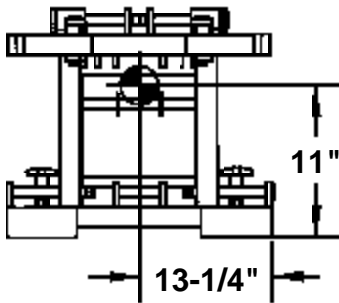
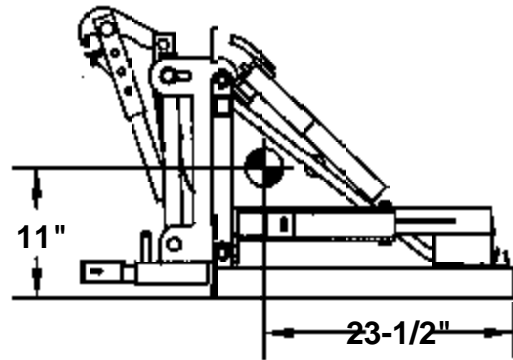
---

## DELUXE COMBINATION FORK MOUNTED DRUM LIFTER MODEL BDFDL-3



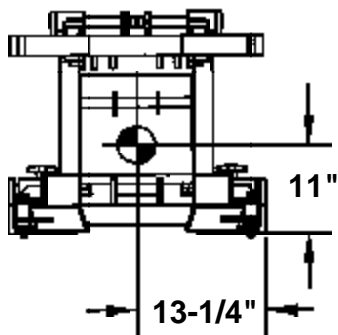
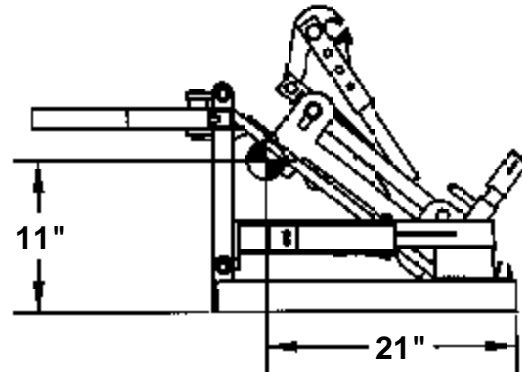
(shown with Eagle Beak Attachment)

Capacity: 1,000 lbs.  
Total : 313 pounds (Lost Load)  
Fork Tubes: 6-1/2"W x 2-1/2"H



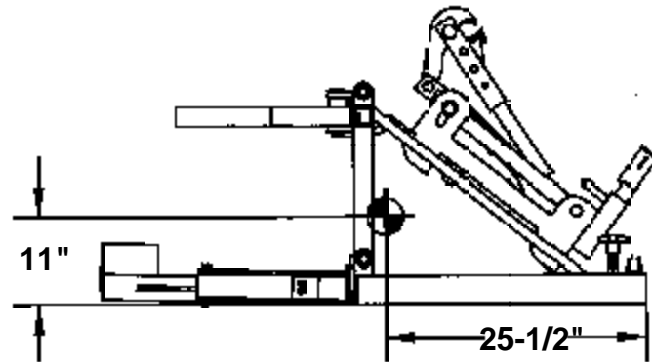
(shown with Bottom Drum Attachment)

Capacity: 1,100 lbs.  
Total : 313 pounds (Lost Load)  
Fork Tubes: 6-1/2"W x 2-1/2"H



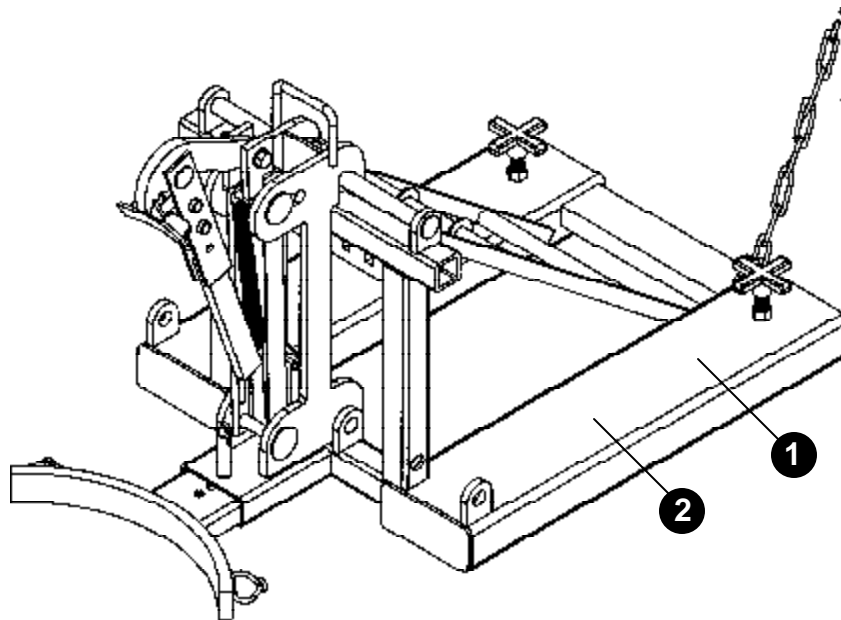
(shown with Top Drum Attachment)

Capacity: 800 lbs.  
Total : 313 pounds (Lost Load)  
Fork Tubes: 6-1/2"W x 2-1/2"H



# WARNING LABEL IDENTIFICATION

MAKE SURE ALL WARNING LABELS ARE IN PLACE!



Labels are located in the same place on each Fork Mounted Drum Lifter

\*Product safety signs or labels should be periodically inspected and cleaned by the product users as necessary to maintain good legibility for safe viewing distance ...

ANSI 535.4 (10.21)

Contact manufacturer for replacement labels.

1

## CAUTION

SAFETY CHAIN  
MUST BE FASTENED  
SECURELY TO  
FORKLIFT

## PRECAUCION

LA CADENA DE SEGURIDAD  
DEBE DE SER AGARRADA  
CON SEGURIDAD A LA  
TRANSPALETA

## PRUDENCE

LA CHAÎNE DE  
SÉCURITÉ DOIT  
ÊTRE BIEN ATTACHÉE  
AU MONTE-CHARGE 218

2

## CAUTION

WHEN TRANSPORTING HAZARDOUS  
WASTE OR TRAVELING ON ROUGH  
SURFACES, USE THE SUPPLIED  
SAFETY RETAINING STRAP

## PRECAUCION

PRECAUCIÓN CUANDO TRANSPORTE  
DESHECHO PELIGROSO O CUANDO VIAJE  
POR SUPERFICIES IRREGULARES, USE EL  
CINTURÓN SEGURIDAD SUMINISTRADO

## ATTENTION

POUR LE TRANSPORT DE DÉCHETS  
DANGEREUX OU POUR CIRCULER SUR  
LES VOIES NON UNIFORMES, UTILISEZ  
LA SANGLE DE SÉCURITÉ FOURNIE

485